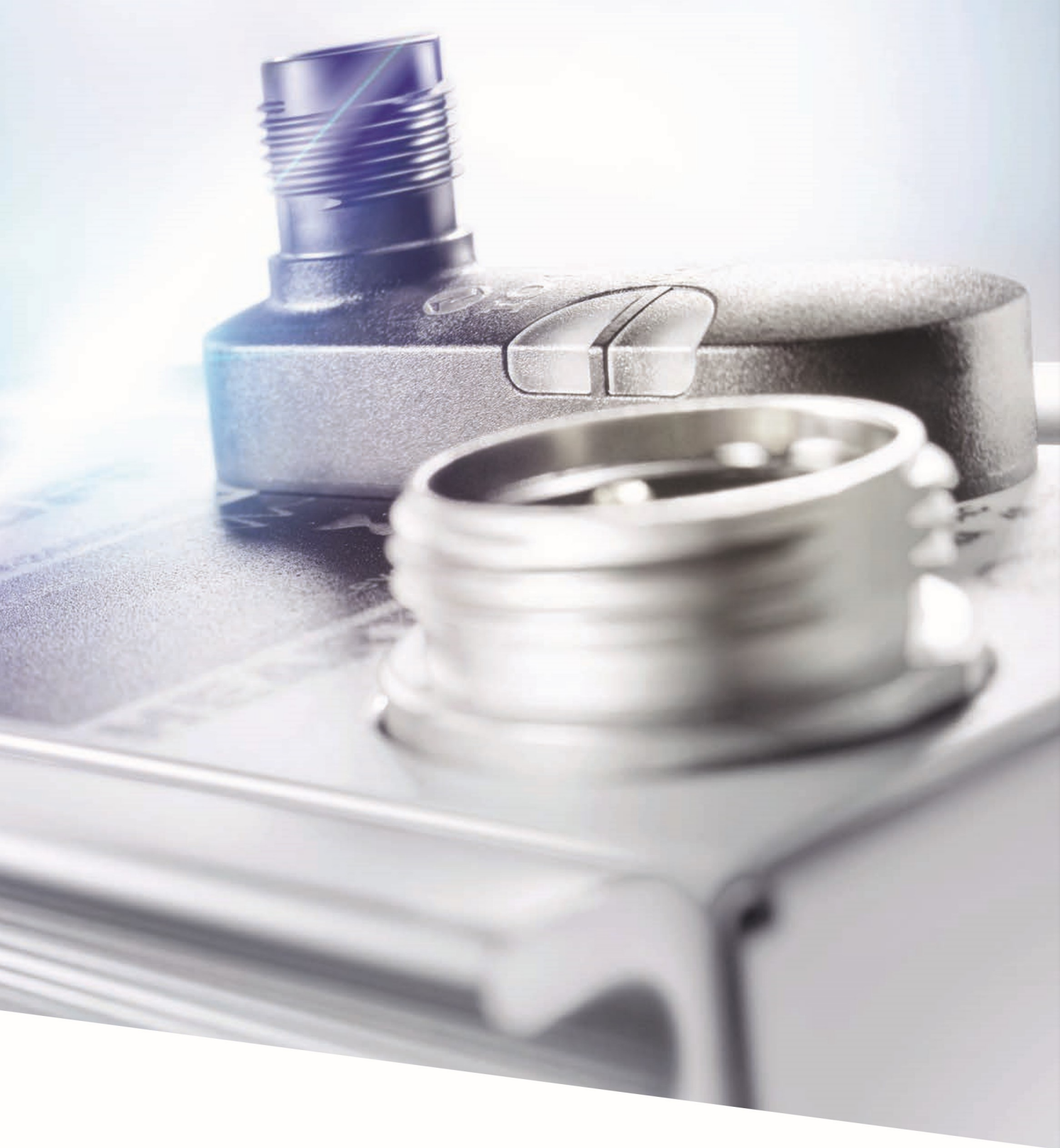


Wide range of voltages and power levels

POWER SUPPLIES



innovating automation



With our power supplies you can power any of your applications. Whether single-phase, three-phase, for parallel or series wiring, whether for the control cabinet, in compact form for automated machines or for harsh conditions directly in the field. At Balluff you will find a wide selection of voltages and power levels for reliable and efficient power supply. Our devices are approved according to CE/TÜV, UL or CCC.

Your Balluff solutions

- Switching Power Supplies



Reliable and efficient power supply

SWITCHING POWER SUPPLIES



Balluff offers high-performance power supplies to ensure that your systems run efficiently and without interference. Our power supplies for the control cabinet withstand overload and have especially long service life: up to 800,000 hours (91 years) to ensure the availability of your machines and equipment.

Our power supplies with the Heartbeat® function provide continuous function information about the internal device condition and indicate the current load situation and demand on the internal components. And the Lifetime display gives you warning for preventive maintenance. The diagnostics function can be applied anywhere in the system via IO-Link.

All the devices are available in several versions and output voltages. Heartbeat® versions for use directly in harsh environments are also available in IP67.

The most important benefits

- Complete line – everything from a single source
- Safety in case of short circuits and overloads in industrial environments
- Long service life for reliable operation
- High system availability of all equipment
- Comprehensive approval packages for global use

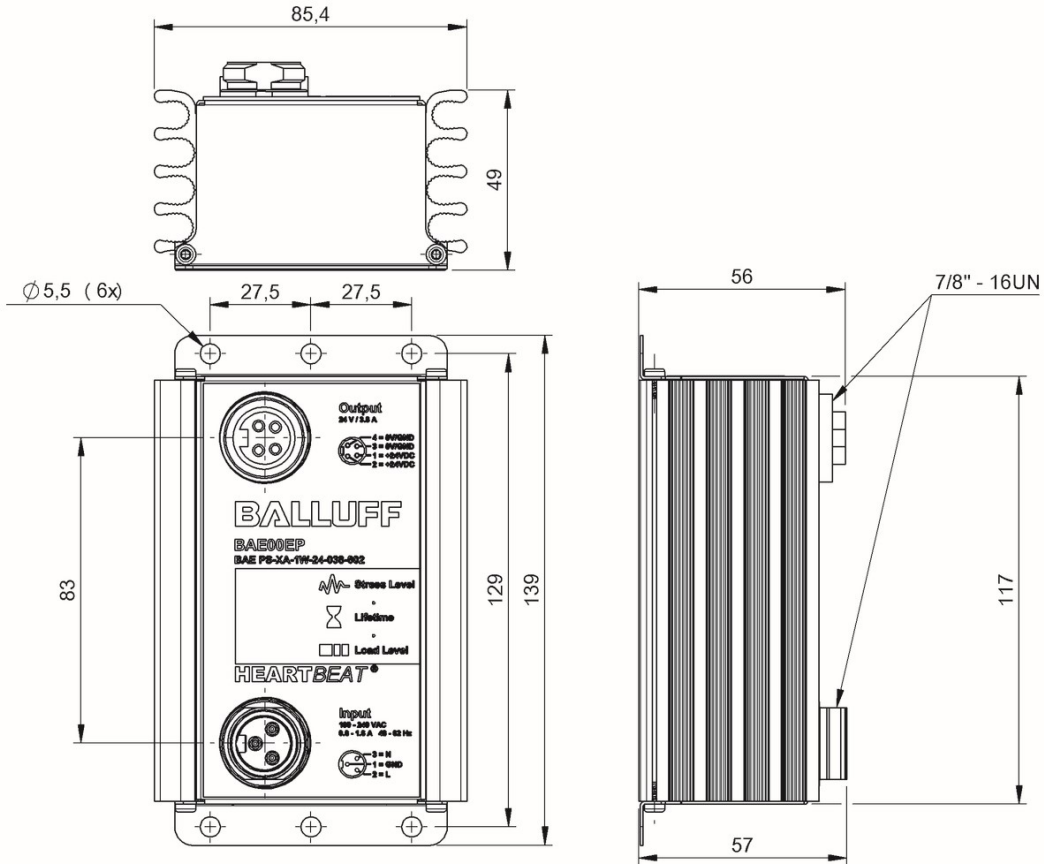
Heartbeat® Power Supply Units	240
Heartbeat® Power Supplies with IO-Link Interface	244
Power Supplies for the Control Cabinet	250
Basics and Glossary	256



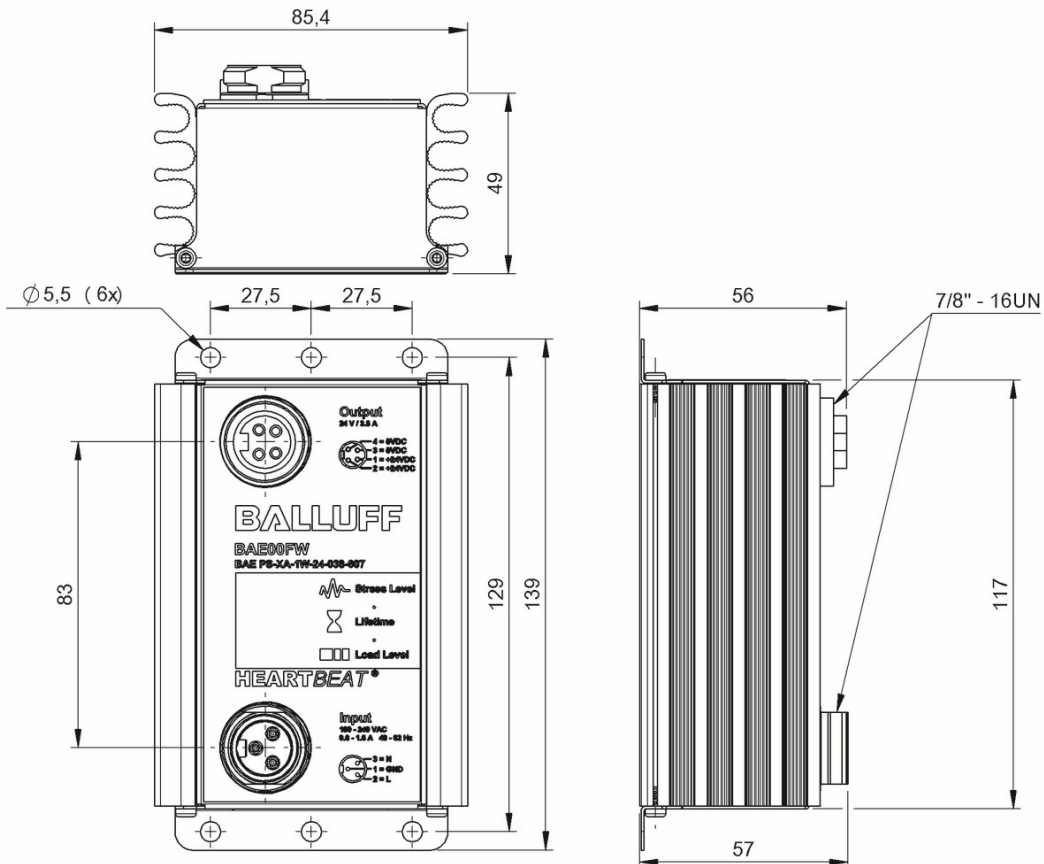
	BAE00EP BAE PS-XA-1W-24-038-602	
Dimension	85.4 x 57 x 139 mm	
Version	IP67	
Mounting	Flange mounting	
Housing material	Aluminum	
Connection (supply voltage IN)	7/8"-Male	
Connection (supply voltage OUT)	7/8"-Female	
Input voltage	100...240 V AC, Single phase	
Rated output voltage DC	24 V	
Rated output current	3.8 A	
Output capacity max.	91.2 W	
Output current max.	6 A for max. 4s	
Protection degree	IP67 with connector	
Approval/Conformity	CE, cURus	
Ambient temperature	-25...70 °C	
Productview	Page 242	



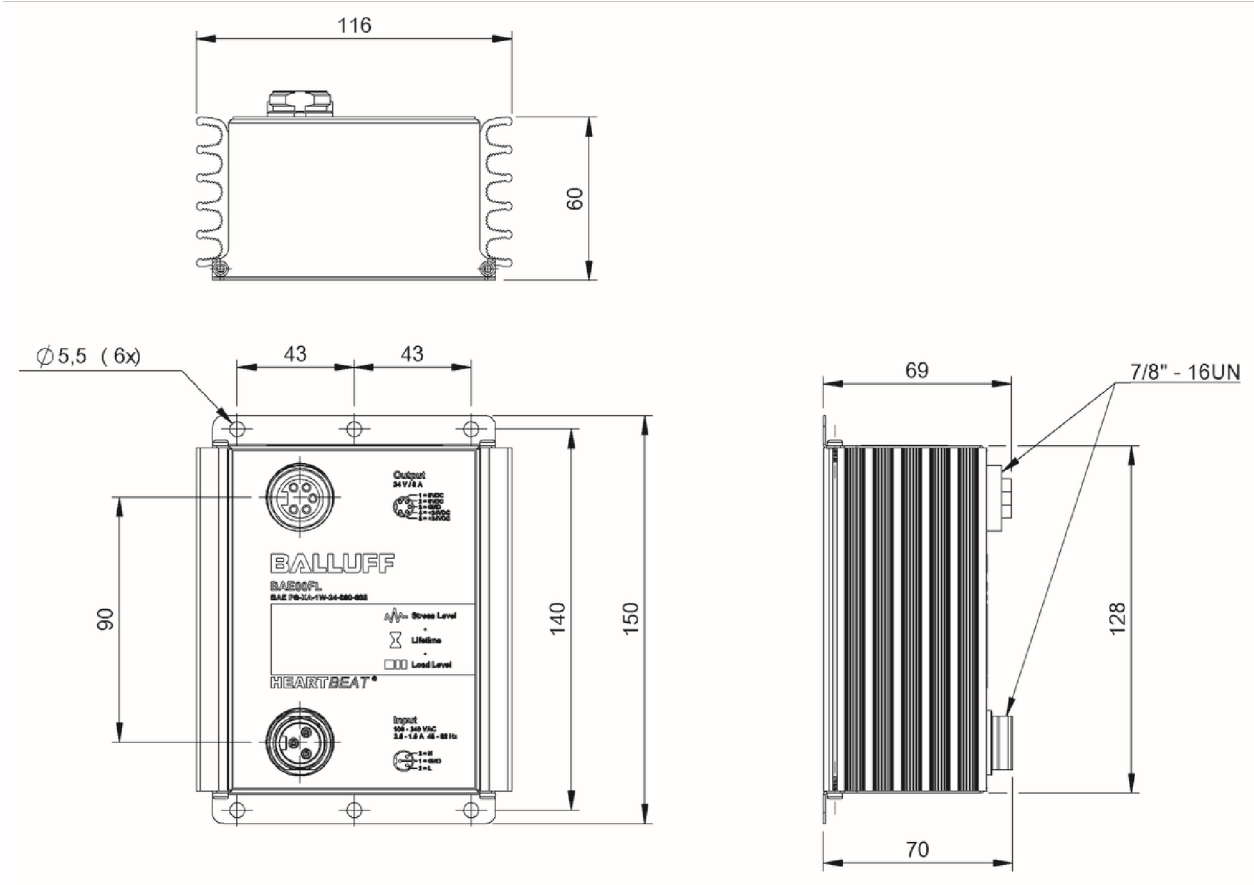
BAE00FW BAE PS-XA-1W-24-038-607	BAE00FL BAE PS-XA-1W-24-080-605	BAE00FY BAE PS-XA-1W-24-080-606
85.4 x 57 x 139 mm	116 x 70 x 150 mm	116 x 70 x 150 mm
IP67	IP67	IP67
Flange mounting	Flange mounting	Flange mounting
Aluminum	Aluminum	Aluminum
7/8"-Male	7/8"-Male	7/8"-Male
7/8"-Female	7/8"-Female	7/8"-Female
100...240 V AC, Single phase	100...240 V AC, Single phase	100...240 V AC, Single phase
24 V	24 V	24 V
3.8 A	8 A	8 A
91.2 W	192 W	192 W
6 A for max. 4s	12 A for max. 4s	12 A for max. 4s
IP67 with connector	IP67 with connector	IP67 with connector
CE, cURus	CE, cURus	CE, cURus
-25...70 °C	-25...70 °C	-25...70 °C
Page 242	Page 243	Page 243



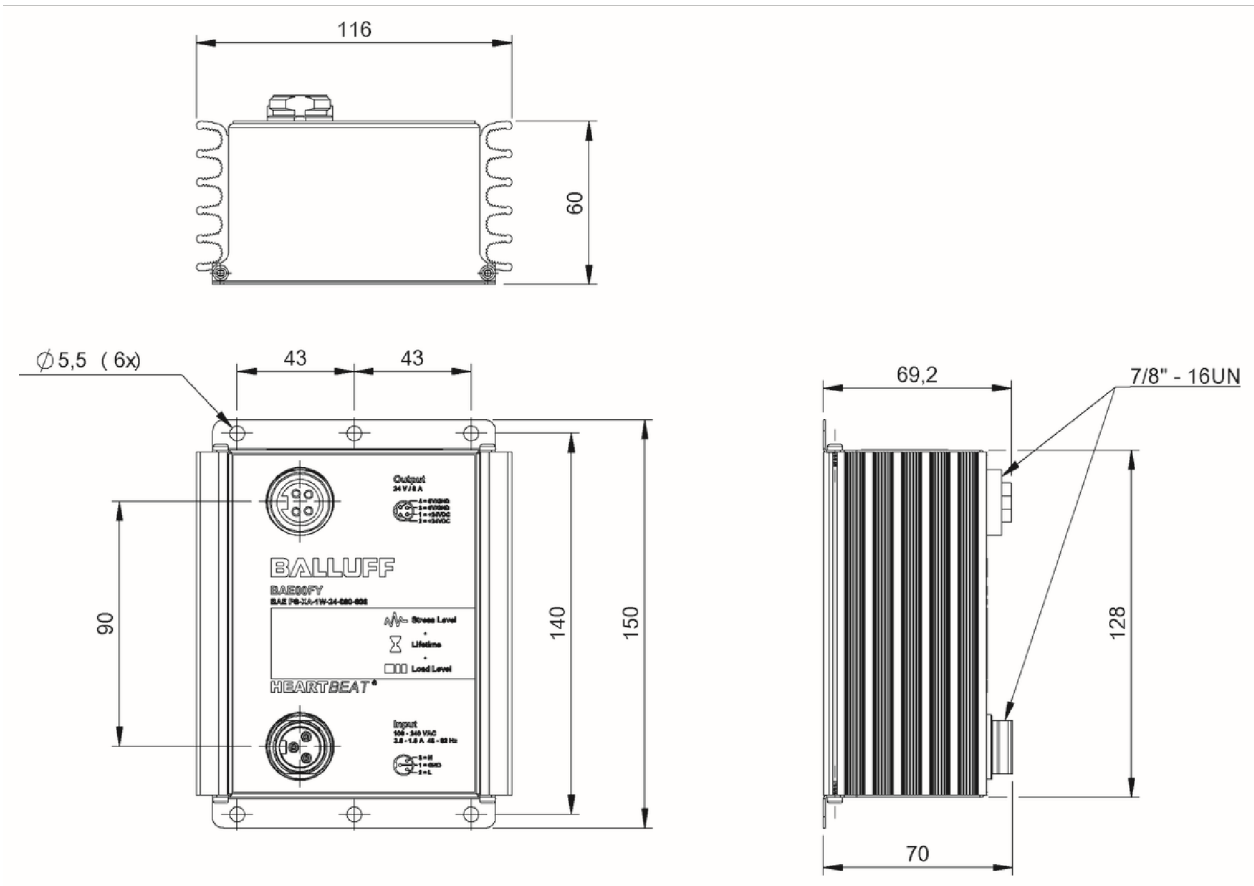
BAE00EP



BAE00FW



BAE00FL



BAE00FY

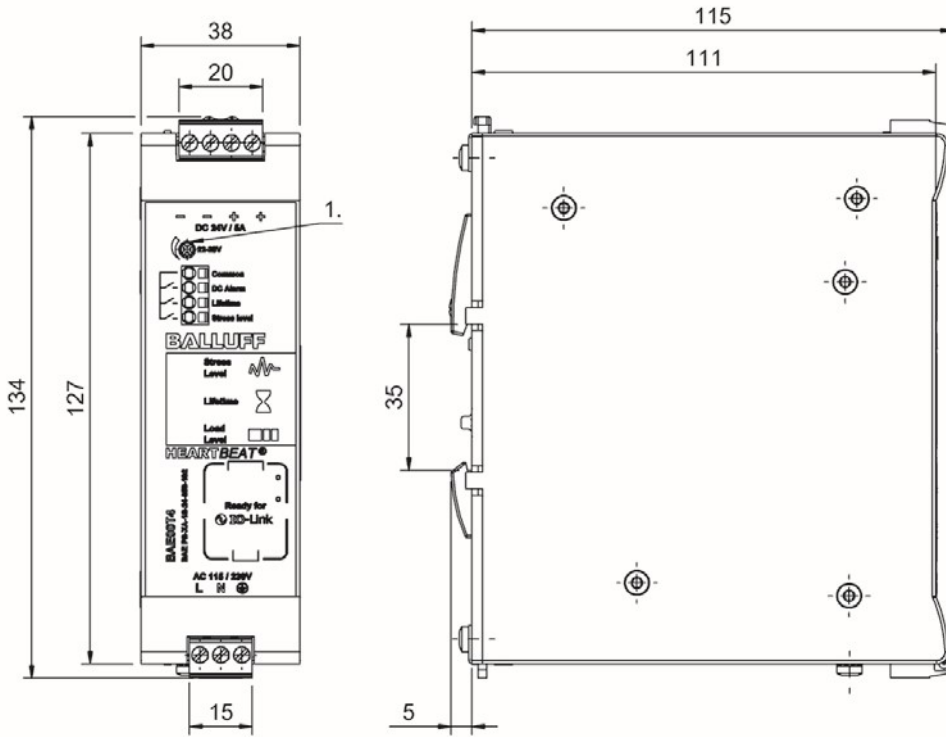
Do you need more details? Our Product Finder at www.balluff.com provides you with product-specific information, including technical drawings, data sheets, user guides and more for each individual product. All items are available for download.



	BAE00T4 BAE PS-XA-1S-24-050-102	BAE00LJ BAE PS-XA-1S-24-100-103	BAE00M3 BAE PS-XA-1S-24-200-104	
Dimension	38 x 127 x 120 mm	60 x 127 x 127 mm	79 x 127 x 139 mm	
Version	DIN rail	DIN rail	DIN rail	
Mounting	DIN rail mount	DIN rail mount	DIN rail mount	
Housing material	Aluminum	Aluminum	Aluminum	
Connection (supply voltage IN)	Terminal strip	Terminal strip	Terminal strip	
Connection (supply voltage OUT)	Terminal strip	Terminal strip	Terminal strip	
Input voltage	115/230 V AC automatic selection, Single phase	115/230 V AC automatic selection, Single phase	115/230 V AC automatic selection, Single phase	
Rated output voltage DC	24 V	24 V	24 V	
Rated output current	5 A	10 A	20 A	
Output capacity max.	180 W	360 W	720 W	
Output current max.	7.5 A for max. 4s 1x/min.	15 A for max. 4s 1x/min.	30 A for max. 4s 1x/min.	
Protection degree	IP20	IP20	IP20	
Approval/Conformity	CE, CB, cURus, cULus	CE, CB, cURus, cULus	CE	
Ambient temperature	-25...70 °C	-25...70 °C	-25...60 °C	
Productview	Page 246	Page 246	Page 247	

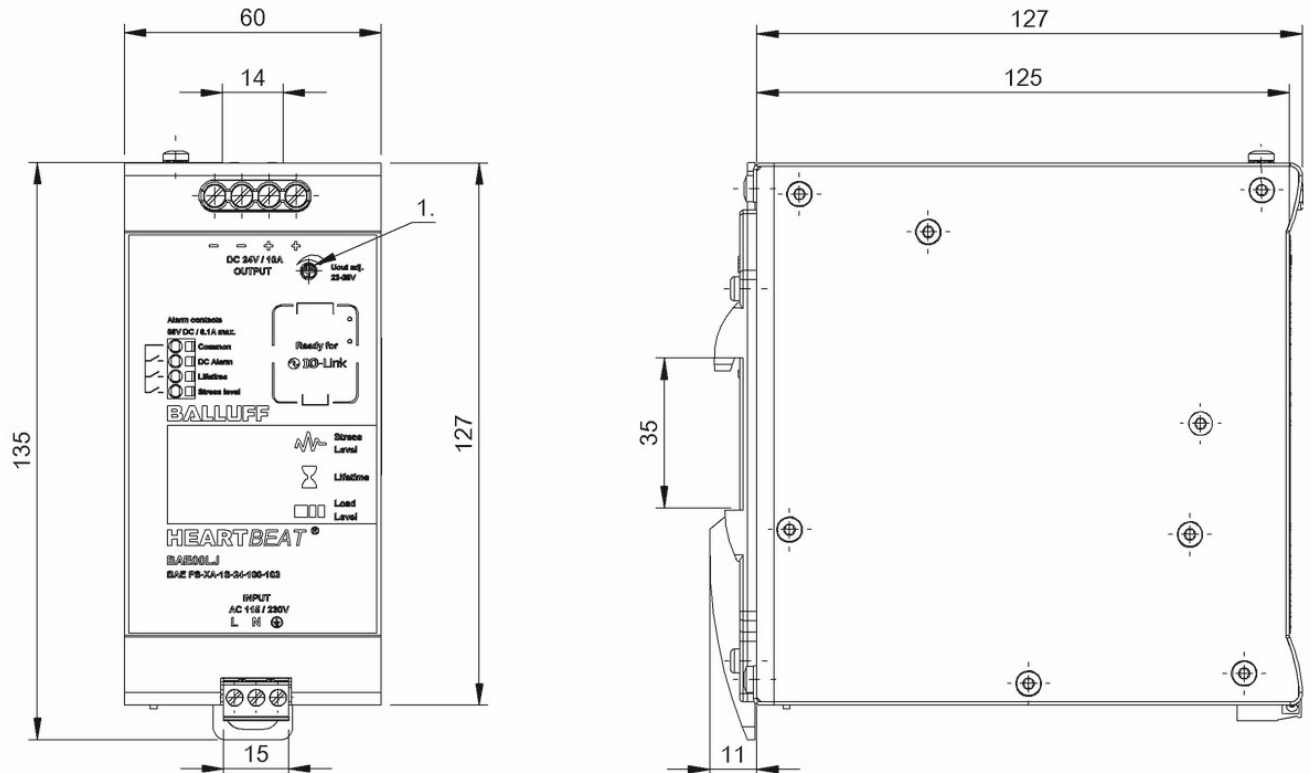


	BAE00TR BAE PS-XA-1W-24-025-101	BAE00TJ BAE PS-XA-1W-24-038-602-I	BAE00TK BAE PS-XA-1W-24-038-603-I	BAE00TL BAE PS-XA-1W-24-080-604-I	BAE00TM BAE PS-XA-1W-24-080-605-I
	24 x 127 x 92 mm	85.4 x 72.6 x 139 mm	85.4 x 72.6 x 139 mm	116 x 85 x 150 mm	116 x 85 x 150 mm
	DIN rail	IP67	IP67	IP67	IP67
	DIN rail mount	Flange mounting	Flange mounting	Flange mounting	Flange mounting
	Aluminum	Aluminum PC	Aluminum PC	Aluminum PC	Aluminum PC
	Terminal strip	7/8"-Male	7/8"-Male	7/8"-Male	7/8"-Male
	Terminal strip	7/8"-Female	7/8"-Female	7/8"-Female	7/8"-Female
	100...240 V AC, Single phase	100...240 V AC, Single phase	100...240 V AC, Single phase	100...240 V AC, Single phase	100...240 V AC, Single phase
	24 V	24 V	24 V	24 V	24 V
	2.5 A	3.8 A	3.8 A	8 A	8 A
	90 W	91.2 W	91.2 W	192 W	192 W
	3.75 A for max. 4s 1x/min.	6 A for max. 4s	6 A for max. 4s	12 A for max. 4s	12 A for max. 4s
	IP20	IP67 with connector	IP67 with connector	IP67 with connector	IP67 with connector
	CE, CB, cURus, cULus	CE, cURus, IO-Link	CE, cURus, IO-Link	CE, cURus, IO-Link	CE, cURus, IO-Link
	-25...70 °C	-25...70 °C	-25...70 °C	-25...70 °C	-25...70 °C
	Page 247	Page 248	Page 248	Page 249	Page 249



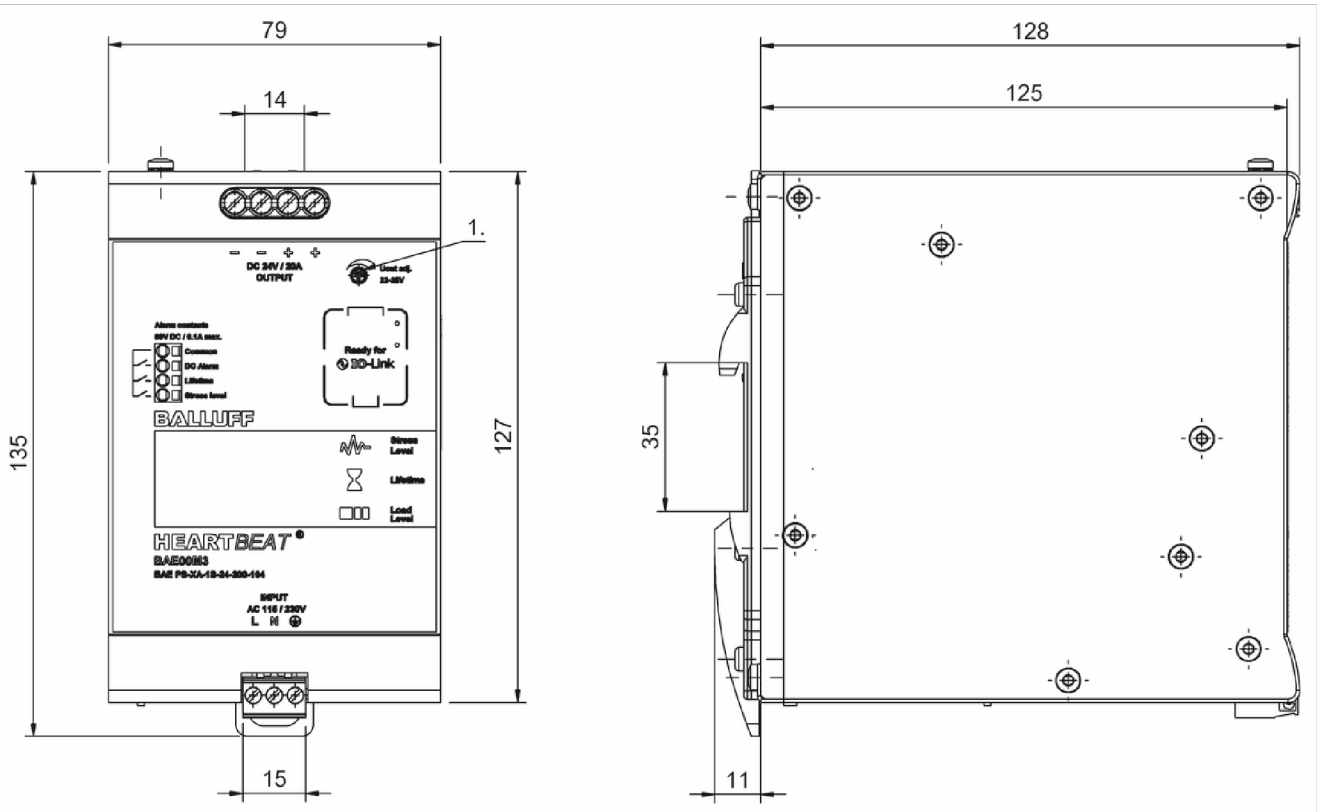
1) Potentiometer

BAE00T4



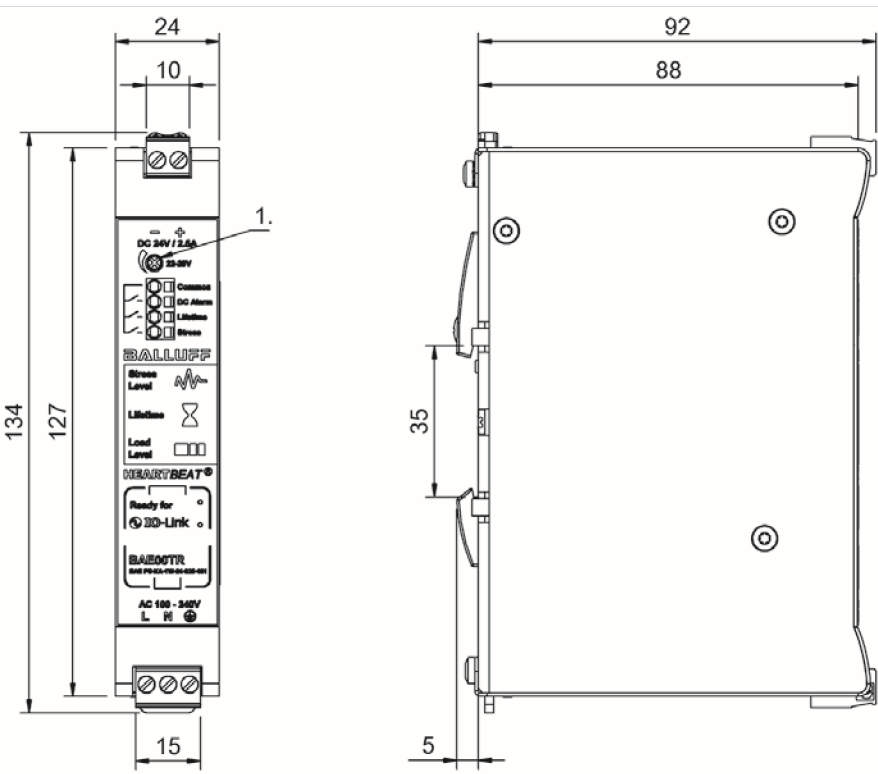
1) Potentiometer

BAE00LJ



1) Potentiometer

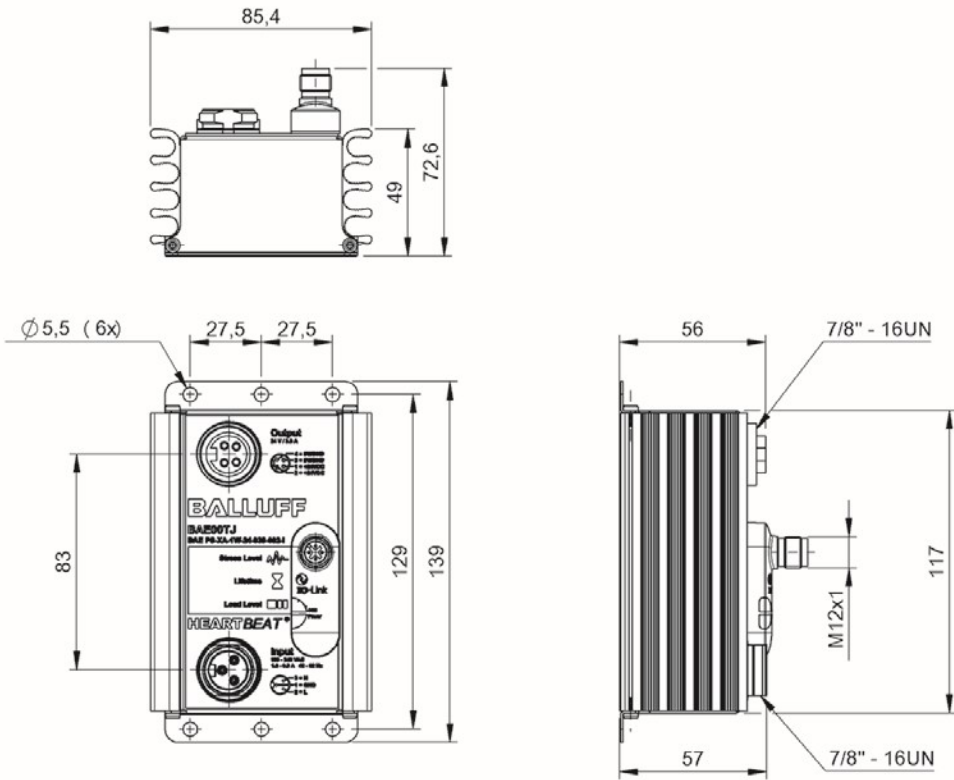
BAE00M3



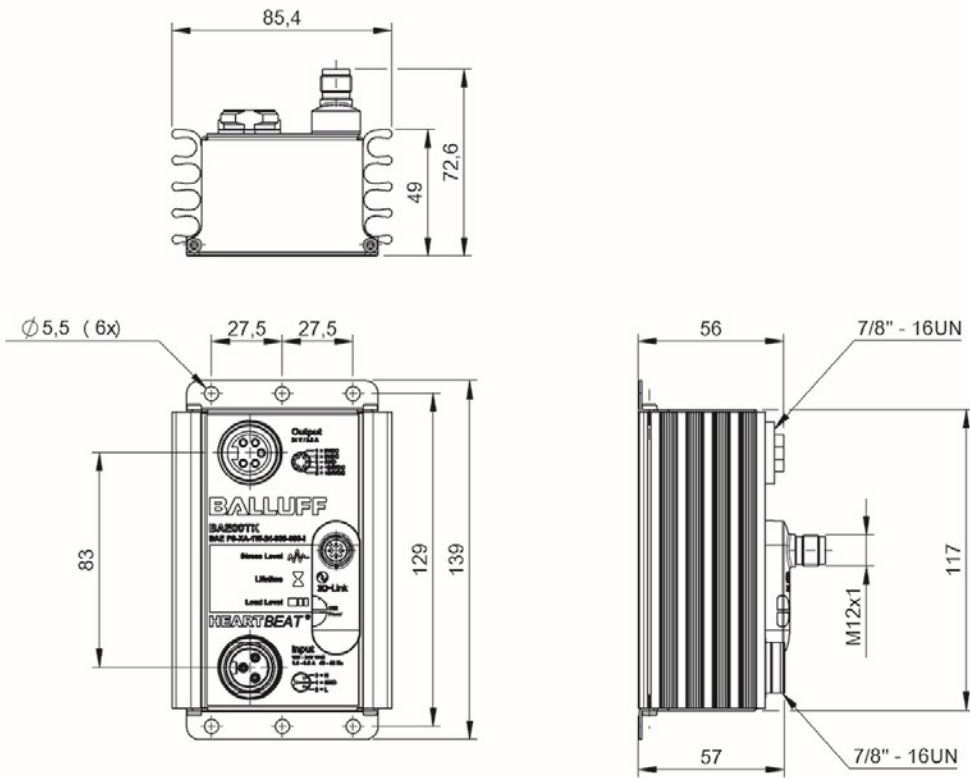
1) Potentiometer

BAE00TR

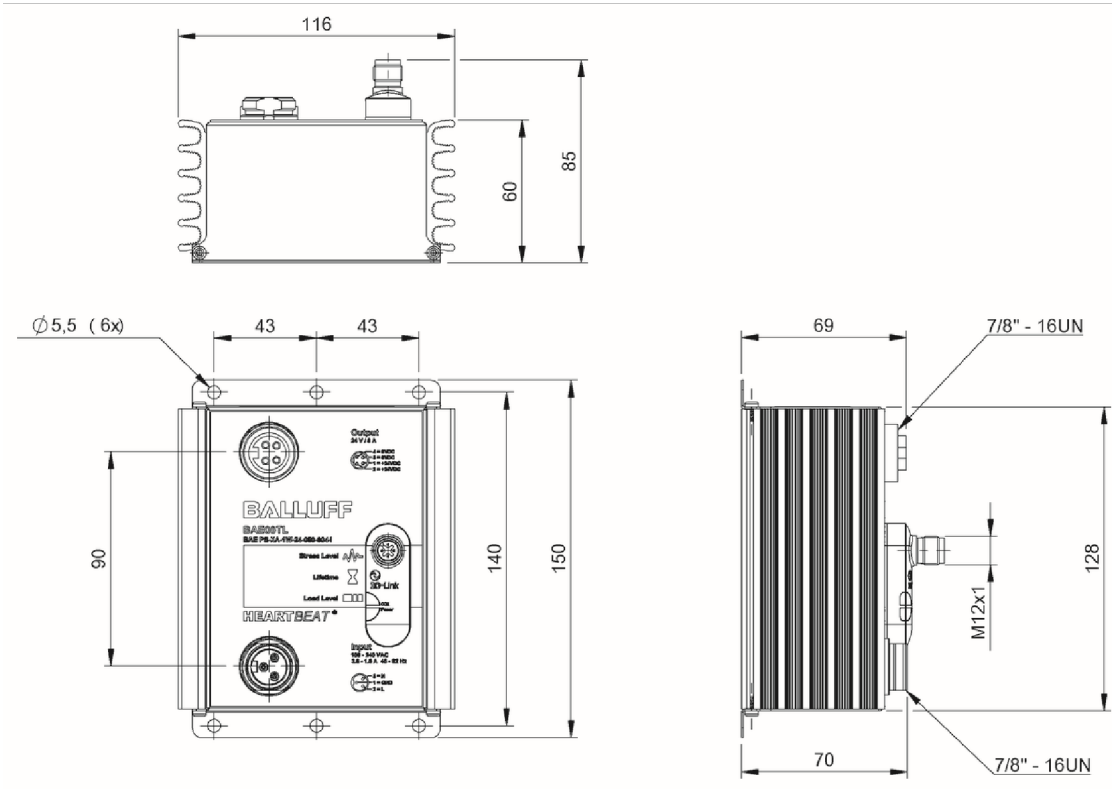
Do you need more details? Our Product Finder at www.balluff.com provides you with product-specific information, including technical drawings, data sheets, user guides and more for each individual product. All items are available for download.



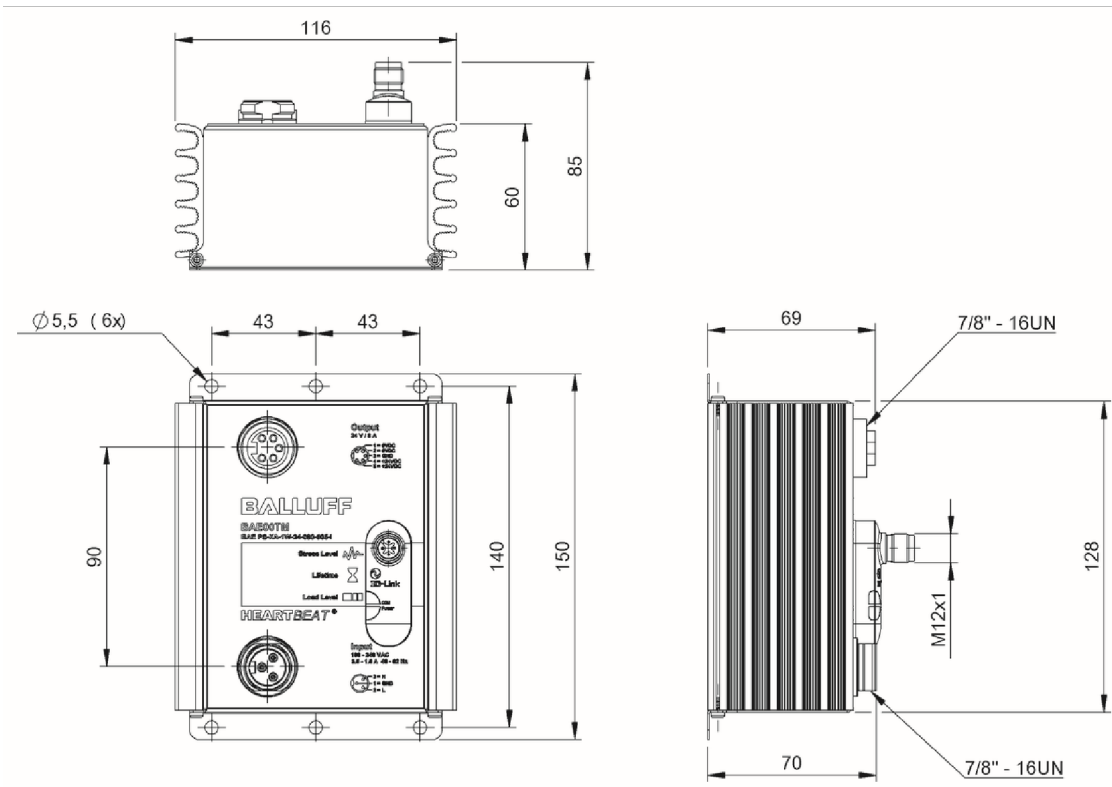
BAE00TJ



BAE00TK



BAE00TL



BAE00TM

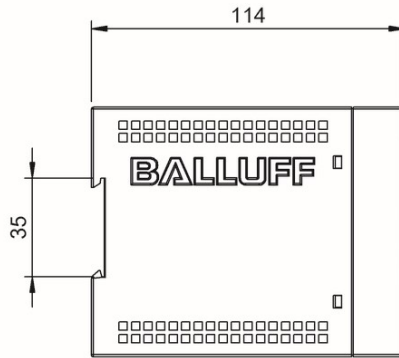
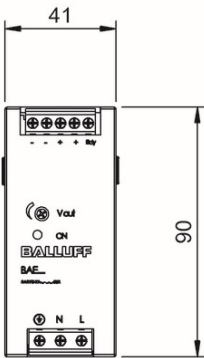
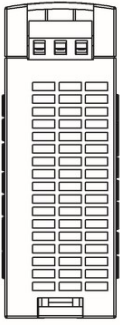
Do you need more details? Our Product Finder at www.balluff.com provides you with product-specific information, including technical drawings, data sheets, user guides and more for each individual product. All items are available for download.



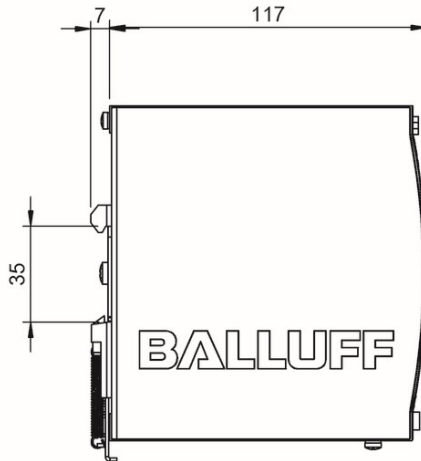
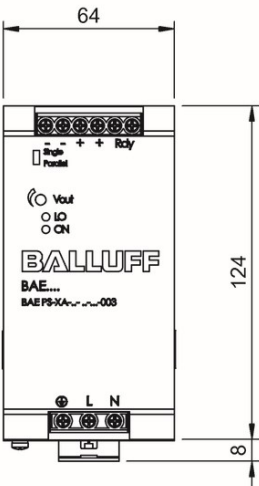
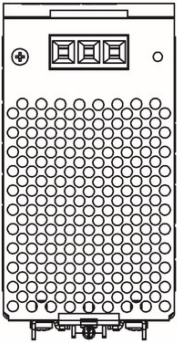
	BAE0005 BAE PS-XA-1W-24-025-002	BAE0006 BAE PS-XA-1W-24-050-003	BAE0002 BAE PS-XA-1W-24-100-004	
Dimension	40.5 x 90 x 114 mm	64 x 124.5 x 116.6 mm	83.5 x 124.5 x 116.6 mm	
Version	DIN rail	DIN rail	DIN rail	
Mounting	DIN rail mount	DIN rail mount	DIN rail mount	
Housing material	Plastic	Metal	Metal	
Connection	Clamp, 0.25 mm ² ...2.5 mm ²	Clamp, 0.25 mm ² ...4 mm ²	Clamp, 0.25 mm ² ...4 mm ²	
Input voltage	100...240 V AC, Single phase	115/230 V AC automatic selection, Single phase	115/230 V AC automatic selection, Single phase	
Rated output voltage DC	24 V	24 V	24 V	
Rated output current	2.5 A	5 A	10 A	
Protection degree	IP20	IP20	IP20	
Approval/Conformity	CE, CCC, cULus	CE, CCC, cULus	CE, CCC, cULus	
Ambient temperature	-40...70 °C	-35...70 °C	-40...70 °C	
Productview	Page 252	Page 252	Page 253	



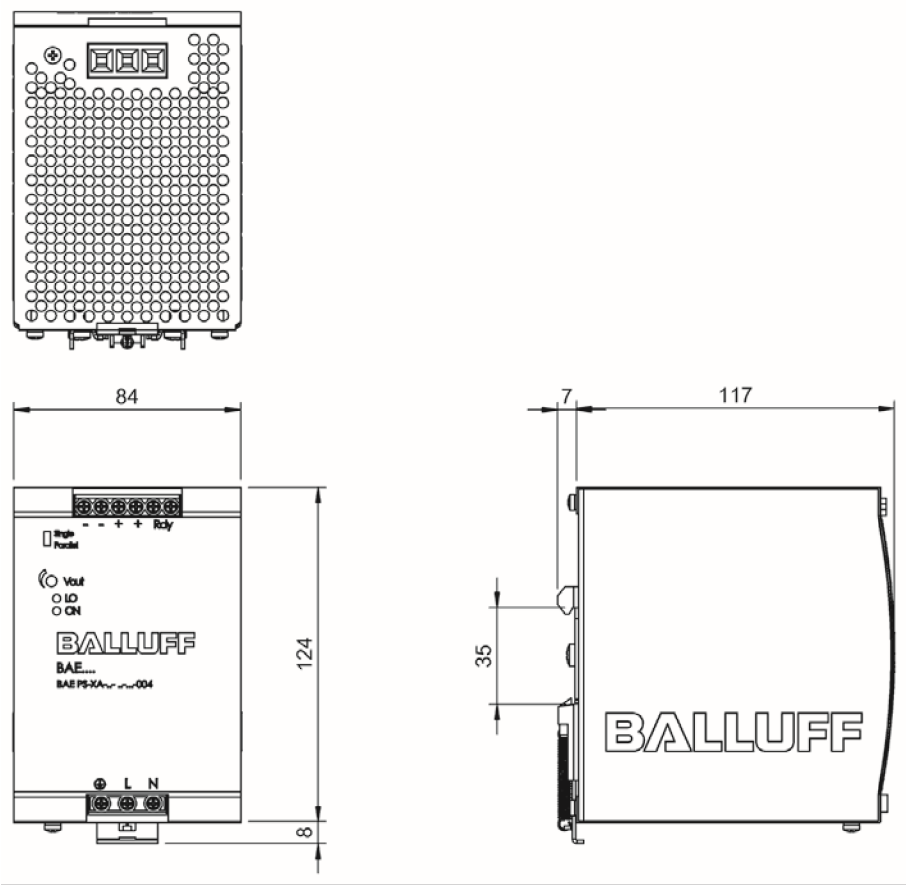
BAE0003 BAE PS-XA-1W-24-200-005	BAE0007 BAE PS-XA-3Y-24-050-009	BAE0008 BAE PS-XA-3Y-24-100-006	BAE0009 BAE PS-XA-3Y-24-200-007	BAE003R BAE PS-XA-3Y-24-400-010
175.5 x 124.5 x 116.6 mm	74.3 x 124 x 111.9 mm	89 x 124 x 111.9 mm	150 x 124 x 111.9 mm	275.8 x 126.2 x 111.9 mm
DIN rail	DIN rail	DIN rail	DIN rail	DIN rail
DIN rail mount	DIN rail mount	DIN rail mount	DIN rail mount	DIN rail mount
Metal	Metal	Metal	Metal	Metal
Clamp, 0.25 mm ² ...4 mm ²	Clamp, 0.25 mm ² ...4 mm ²	Clamp, 0.25 mm ² ...4 mm ²	Clamp, 0.25 mm ² ...4 mm ²	Clamp, 0.25 mm ² ...4 mm ² , 0.5 mm ² ...10 mm ²
100...240 V AC, Single phase	400...500 V AC, Three-phase	400...500 V AC, Three-phase	400...500 V AC, Three-phase	400...500 V AC, Three-phase
24 V	24 V	24 V	24 V	24 V
20 A	5 A	10 A	20 A	40 A
IP20	IP20	IP20	IP20	IP20
CE, CCC, cULus	CE, CCC, cULus	CE, CCC, cULus	CE, CCC, cULus	CE, CCC, cULus
-40...70 °C	-40...70 °C	-40...70 °C	-30...70 °C	-40...70 °C
Page 253	Page 254	Page 254	Page 255	Page 255



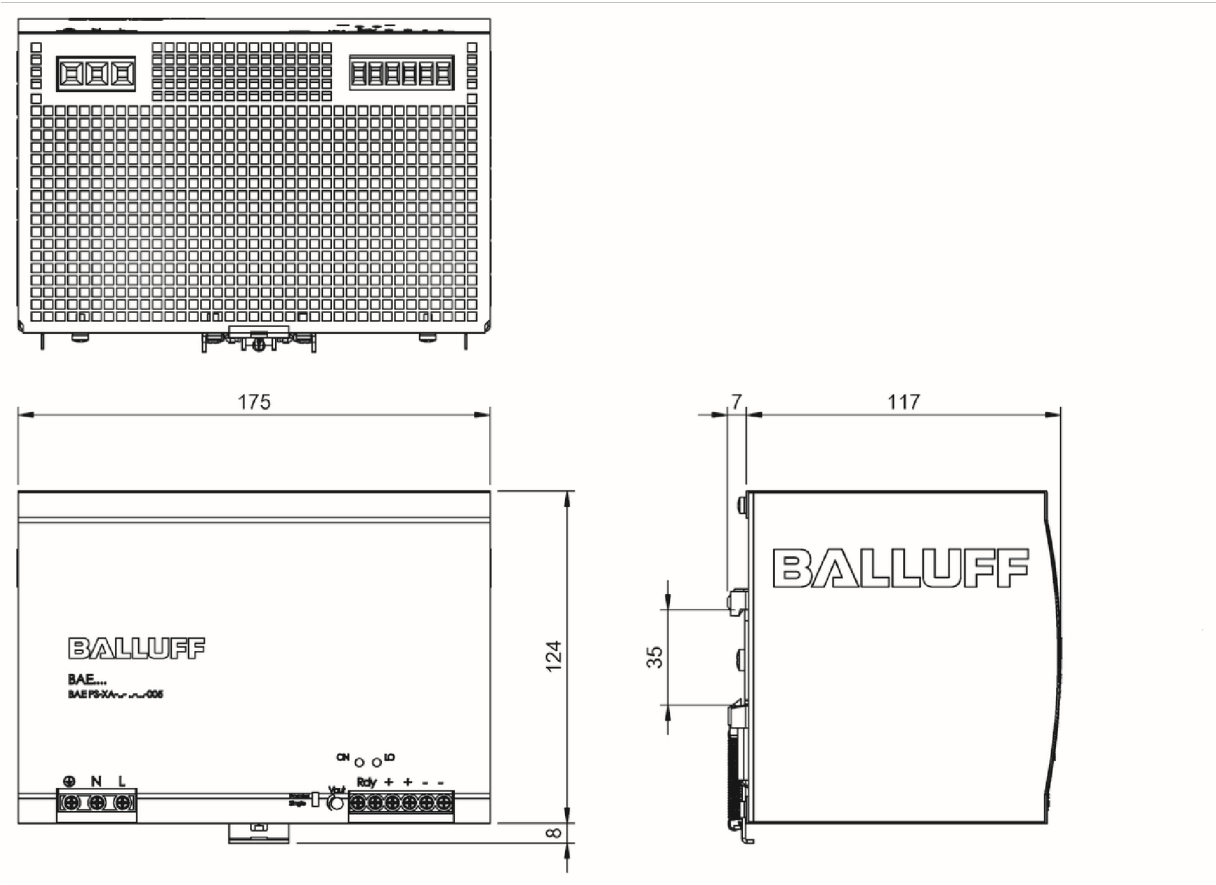
BAE0005



BAE0006

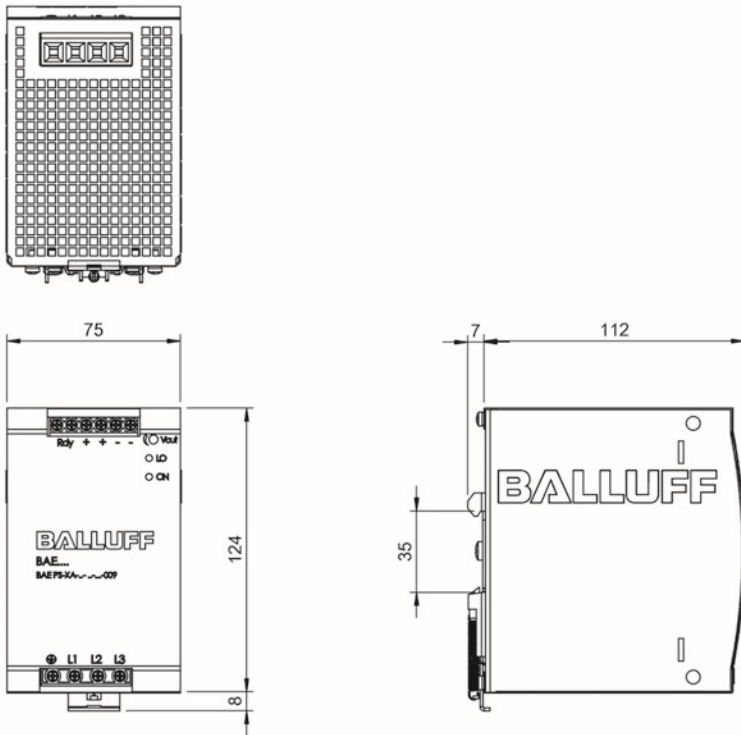


BAE0002

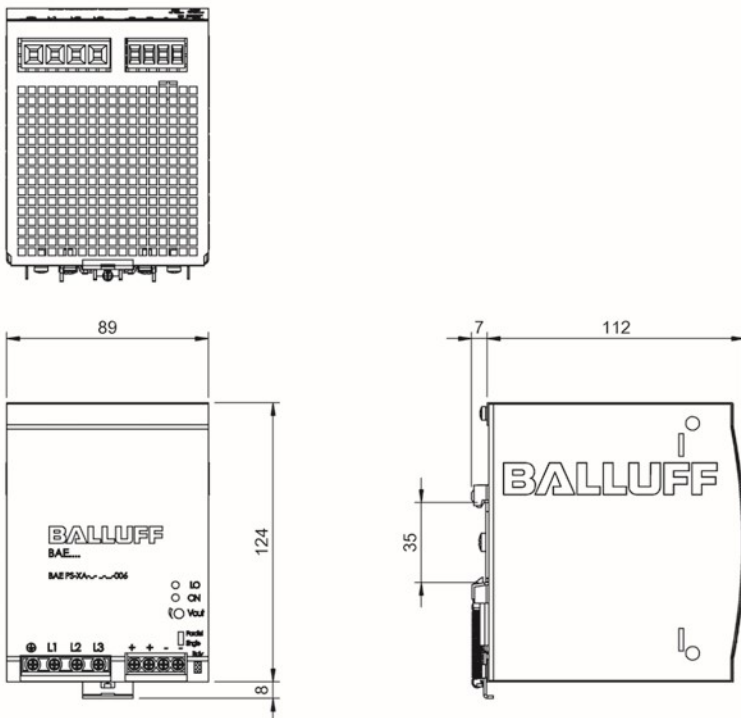


BAE0003

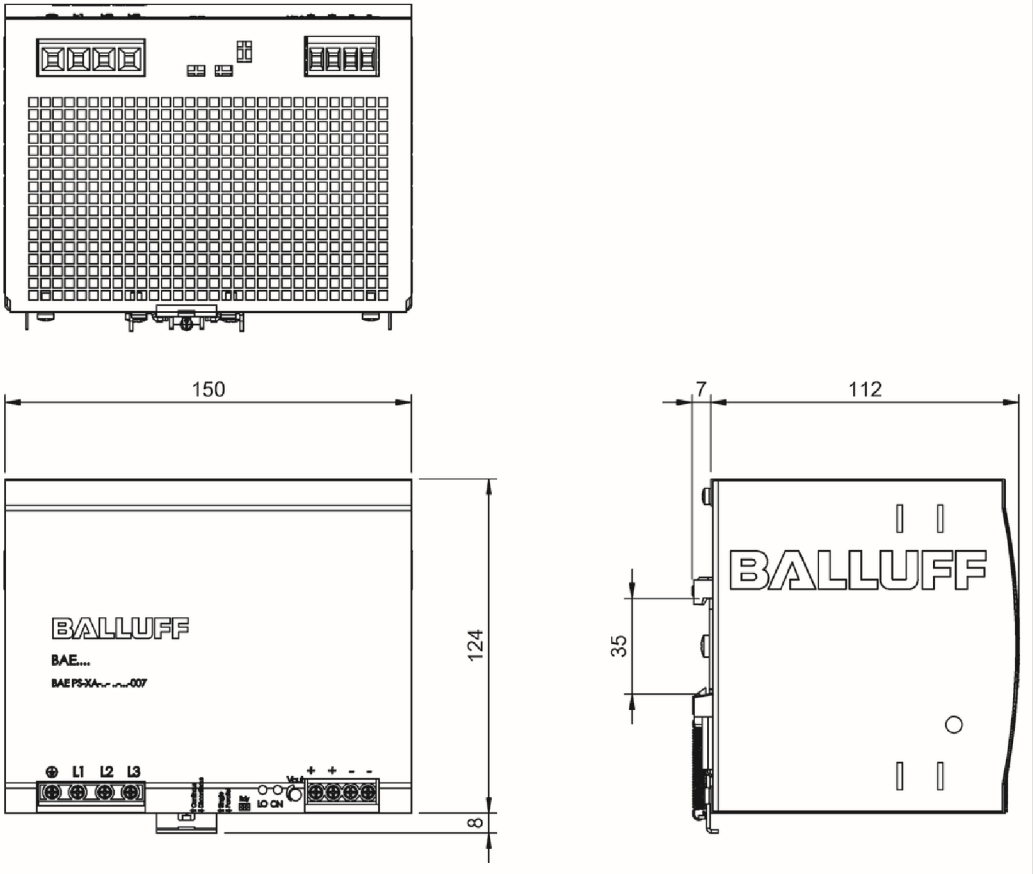
Do you need more details? Our Product Finder at www.balluff.com provides you with product-specific information, including technical drawings, data sheets, user guides and more for each individual product. All items are available for download.



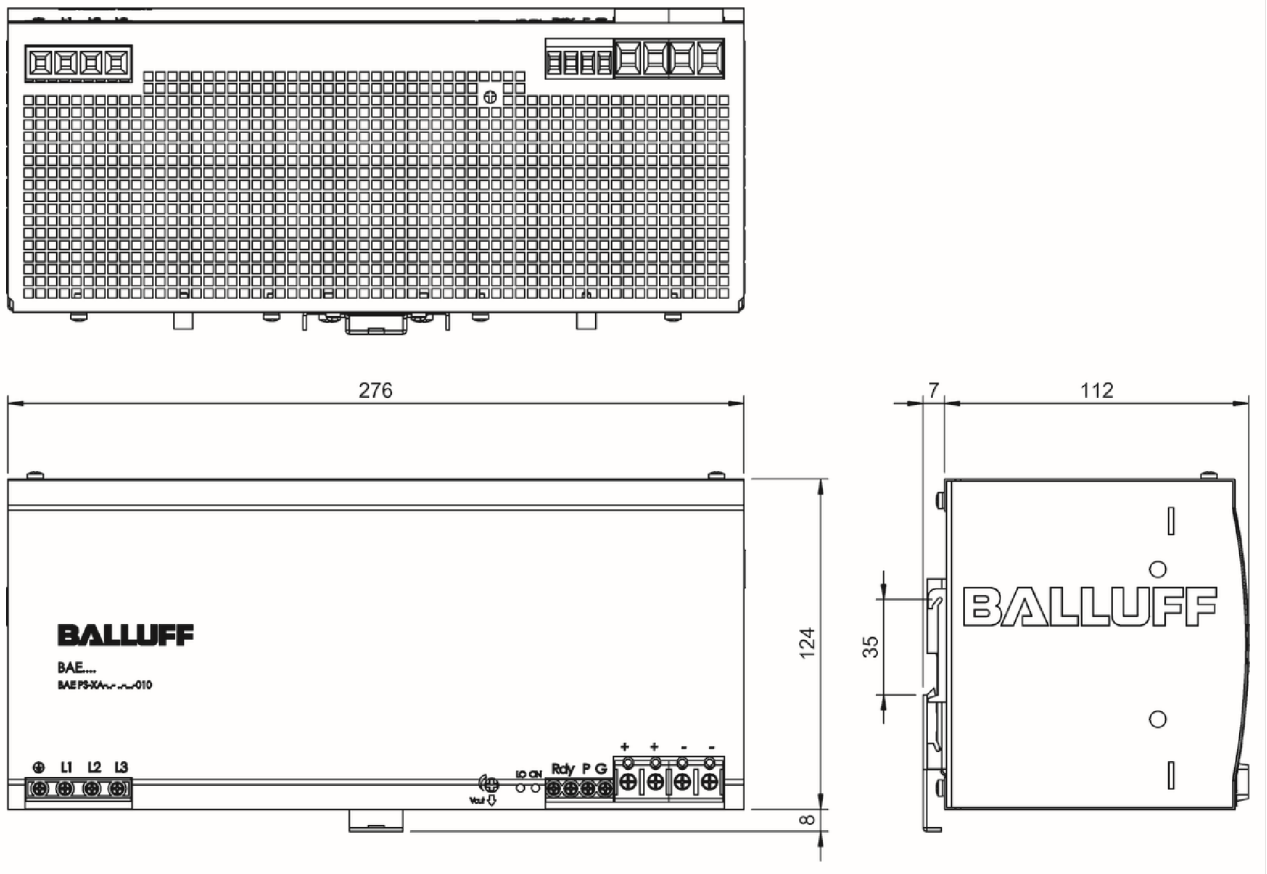
BAE0007



BAE0008



BAE0009



BAE003R

Do you need more details? Our Product Finder at www.balluff.com provides you with product-specific information, including technical drawings, data sheets, user guides and more for each individual product. All items are available for download.

Power Supplies

BASICS AND GLOSSARY



BALLUFF

Technisches Glossar

Geben Sie ein Begriff ein.

A B C D E F G H I K L M N O P R S T U V W X Y Z

Begriff

Absolut

Abstandssensor mit Analogausgang

Absolutdruck

AIDA

Aktive Fläche

Alarmausgang

Definition

Charakteristik eines magnetoresistiven Messsystems, bei dem der Messwert der aktuellen Position sofort nach dem Einschalten verfügbar ist. Jeder Position, z. B. einer Messstrecke, ist ein absolut codiertes digitales Signal oder ein Analogwert zugeordnet. Eine Referenzpunktzahl ist nicht notwendig.

Sensor, der ein kontinuierlich veränderndes Ausgangssignal erzeugt, das vom Abstand zwischen aktiver Fläche und dem Bedämpfungselement abhängt.

Druck gegenüber Druck Null (Vakuum). Der Wertebereich des Absolutdrucks ist immer positiv.

Automatisierungsinitiative Deutscher Automobilisten

Aktiv messender Bereich und somit nach außen empfindliche Elektrode/Platte des Elektrodensystems. Sie ist in der Regel etwas kleiner als die Fläche der Abdeckschraube.

> nähere Informationen

"Vorrichtung/Funktion am Empfänger, die bei Funktionsstörungen ein Warnsignal ausgeben können durch Verschmutzung oder mechanische Dejustierung verursacht sein. Der Alarmausgang ist aktiviert, wenn das Empfänger-Signal für eine definierte Zeit fehlt."

Live Support



ausst. Diese
im Altbereich

Accessories

Connectivity

Power Supplies

Industrial Networking

Safety

Systems

Human Machine
Interfaces

Machine Vision and
Optical Identification

RFID

Sensors

Wear indicator



Lifetime: Irreversible over a long period of time

Lifetime shows the remaining service life of the device, based on the total of all loads.

Load level



Load level: Short term reversible

Load level indicates the current load on the device. The display indicates the load without any delay.

Heartbeat

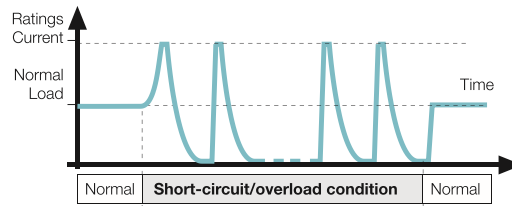


Stress level: Medium term reversible

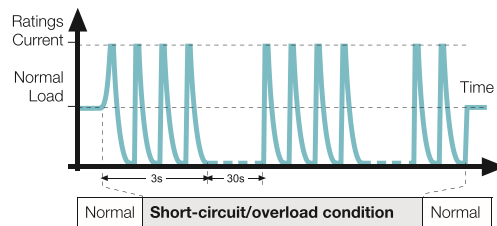
Stress level indicates the physical and thermal loads. Changing the load has an effect on device wear.

Short circuit protection (output)

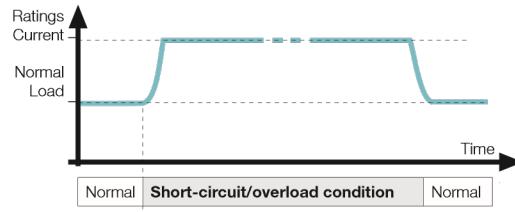
Hiccup mode overload protection*



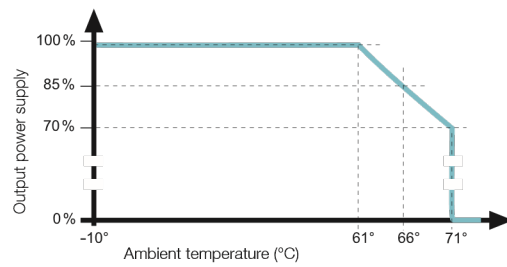
Hiccup mode with turn-off overload protection*



Current limiter and forward characteristic*



Temperature under-load



LED definition

DC ON	DC LO	Possible situation
<input type="radio"/> off	<input type="radio"/> off	AC power supply off, internal fuse burned out, short circuit
<input checked="" type="radio"/> on	<input type="radio"/> off	Normal operation
<input type="radio"/> off	<input checked="" type="radio"/> on	Output voltage < 19.2 V
<input checked="" type="radio"/> on	<input checked="" type="radio"/> on	Power supply failure

*Note: Diagrams are for illustration only. They do not reflect the actual waveforms.

Power supply

Provision of a defined voltage to the electrical consumer.

Overload protection

Protection for a sensor against overloading which occurs when turning on alternating-current devices (contactors/relays).