





## Cable entry plates for cables without plugs



## Overview

**Cable entry plate KDP plastic, rectangular**

The rectangular cable entry plate type KDP 24 for cut-outs with 24-pole connectors is a real alternative to cable fitting.

**Page 61**




**Cable entry plate KDP plastic, round**

The round cable entry plate type KDP/R for direct assembly in housing cut-outs is a real alternative to cable fitting.

**Page 79**




**Cable entry plate KDP metal, rectangular**

The metal KDP is another version of the KDP series. The stainless steel version is particularly suitable for application in the food and chemical areas.

**Page 87**




**Cable entry plate KDP/BG-FB plastic bus enclosure**

Complete bus enclosure with integrated cable entry plate, pre-installed top hat rail and transparent cover.


**Page 117**




**Cable entry plate KDP/BG plastic Rose enclosure**

The cable entry plates type KDP/BG have been specially developed for Rose enclosures. Extremely quick and easy assembly.

**Page 123**

**Accessories for cable entry systems/panels KDL/KDP**

Under accessories you will find various blanking plates, adapter plates for cut-out reduction and discharge plates for EMC applications.

**Page 129**





**Cable entry plate KDP  
plastic rectangular**





# Cable entry plate KDP plastic rectangular

## Advantages



**Straight in!  
22 cables  
installed  
in approx.  
2 minutes**

10 times faster and with a simultaneous space saving of up to 50 % compared with conventional cable fittings.

Take advantage of these huge potential savings. The plastic KDP/N 24 is simply clicked into the cut-outs for 24-pole connectors and the cable is then pushed through – and the cable insertion is already done!

The cable entry plate is an entry and fastening system for electric conduits and pneumatic hoses such as those used in control cabinet, plant or machine construction. Wherever quick assembly, cable-protecting and high packing density are required, the cable insertion system is used.



- ✓ Enormous time savings during assembly
- ✓ Extremely low space requirement
- ✓ High packing density
- ✓ Assembly without tools
- ✓ High protection class
- ✓ No kinks in cables and tubes

# Overview



### Cable entry plate KDP/N 24

The square cable entry plates KDP/N 24 are a second generation extension of the square cable entry plate KDP 24. The advantage lies in the simple assembly with fastening by means of catch hooks.

**Page 68**



### Cable entry plate KDP24-Multi

The cable entry plates, type KDP24-Multi are a combination of our KDP system and our cable entry strips KDL/E. They take up to four pre-assembled cables in two grommets.

**Page 70**



### Snap-on mounting Screw-on mounting

Detailed construction and assembly instructions for the snap-on/screw-on fittings.

**Page 72**



# Cable entry plate KDP plastic rectangular

## Selection table KDP/N (possible combinations of cable entries)



The plastic cable entry plates type KDP/N 24 are the further developed, second generation of our successful cable entry plates with improved clip-in function.

It enables tool-less, rational connection technology for the wiring of machines and equipment with the high IP class 65. It is used wherever the rapid and economical introduction of a large number cables and/or pneumatic hoses is necessary.

### Number of openings on the cable entry plate corresponds to cable diameter

Ø mm	Ø mm	Ø mm	Ø mm	Ø mm	Ø mm
1.5–2.6	2.5–5.0	3.0–5.5	3.0–6.5	4.1–8.1	5.0–9.2



**KDP/N 24/11**  
Item no. 87301110



**KDP/N 24/13**  
Item no. 87301130



**KDP/N 24/17**  
Item no. 87301150



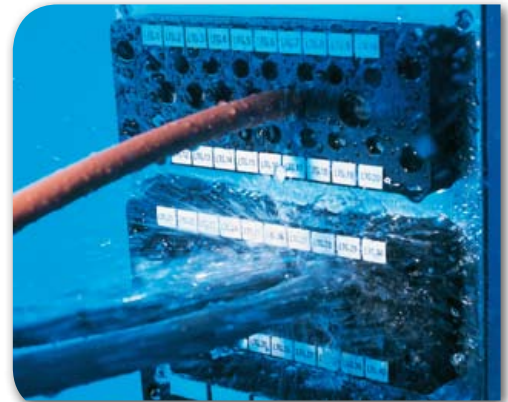
**KDP/N 24/22**  
Item no. 87301160



**KDP/N 24/29**  
Item no. 87301180

	Ø mm 1.5–2.6	Ø mm 2.5–5.0	Ø mm 3.0–5.5	Ø mm 3.0–6.5	Ø mm 4.1–8.1	Ø mm 5.0–9.2
<b>KDP/N 24/11</b>				4		4
<b>KDP/N 24/13</b>			2		6	
<b>KDP/N 24/17</b>				6		4
<b>KDP/N 24/22</b>				11	1	
<b>KDP/N 24/29</b>				16		4
					23	
				29		
	78	2				

They are a real alternative to standard cable fittings. The sizes correspond to standard cut-outs of 24-pole connectors from Harting and Wieland. Assembly at the cut-out due to easy clip-in action thanks to catch hooks or screws.



**Number of openings on the cable entry plate corresponds to cable diameter**

Ø mm 8.0–12.0	Ø mm 8.0–12.5	Ø mm 9.0–14.0	Ø mm 9.6–15.9	Ø mm 14.0–20.0
------------------	------------------	------------------	------------------	-------------------

3

12

**KDP/N 24/12**  
Item no. 87301120



4

1

**KDP/N 24/14**  
Item no. 87301140



4

**KDP/N 24/17-1**  
Item no. 87301151



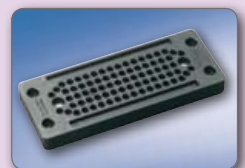
5

2

**KDP/N 24/23**  
Item no. 87301170



**KDP/N 24/80**  
Item no. 87301190







# Cable entry plate KDP plastic rectangular

## Selection table KDP-Multi (possible combinations of cable entries)



The cable entry plates, type KDP 24-Multi are a combination of our KDP/N system and our cable entry strips KDL/E. They are ideal for situations where a few cables with plugs have to be entered into the switch cabinet next to cables without plugs. These cable entry plates take up to four pre-assembled cables with diameters of 3.0 to 16.0 in two grommets.

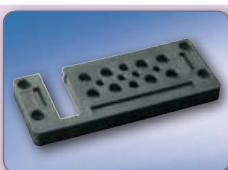
### Number of openings on the cable entry plate corresponds to cable diameter

Ø mm	Ø mm	Ø mm	Ø mm	Ø mm	Ø mm
1.5–3.5	2.5–5.0	3.0–5.0	3.0–6.5	4.5–8.5	8.0–12.5



**KDP 24/10/02**  
Item no. 87301076

4 2 4



**KDP 24/14/02**  
Item no. 87301078

4 2 8



**KDP 24/15/02**  
Item no. 87301080

2 11 2



**KDP 24/17/02**  
Item no. 87301082

17



**KDP 24/20/02**  
Item no. 87301084

4 6 10



**KDP 24/21/02**  
Item no. 87301086

21

## Material data KDP/N and KDP-Multi



**Halogen-free**



**Phosphorous-free**



**Cadmium-free**



**Asbestos-free**



**Lead-free**



**Silicone-free**



The cable entry plates types KDP/N and KDP-Multi comply with ROHS and feature IP class 65 (KDP-Multi: IP 54).

Additionally all components are free of halogen, phosphorous, cadmium, asbestos, lead and silicone.

It can be used within a temperature range of -30 to 70 °C.

The frames of KDP/N and KDP-Multi are

inspected according to fire classification V0.

They are made of polyamide 6.6, the sealant plates used are made of TPU/NBR/EPDM.

UR approvals as well as approvals for the German and French railways exist for KDP/N.





# Cable entry plate KDP plastic, rectangular

## Cable entry plate plastic type KDP/N 24



-30 – 70 °C



Enclosure: Polyamide 6.6  
Seal: TPU/NBR/EPDM



Enclosure: V0

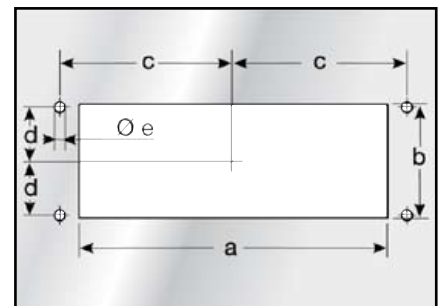
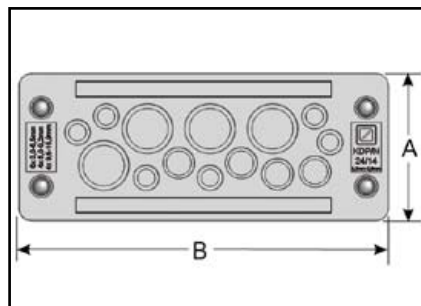


IP 65

The plastic cable entry plate type KDP/N 24 is the second generation of our square, plastic cable entry plates with improved clip-in function.

Economical connection technology for tool-free wiring of equipment and machinery. Wherever the rapid and economical introduction of cables and/or pneumatic hoses in confined spaces is essential. The alternative to cable fittings. Suitable for standard cut-outs for 24-pin Harting and Wieland connectors. For snap-in fastening and/or screwing in place.

- Snap-in at plate thicknesses of 1.5 – 2.0 mm



KDP/N 24

Type	Order no.	Colour	Openings total	Openings quantity / Ø	Installation height mm	A mm	B mm	a mm	b mm	c mm	d mm	e mm	Pack qty.
KDP/N 24/11	87301110	black	11	4 / 3.0 – 6.5 mm 4 / 5.0 – 9.2 mm 3 / 14.0 – 20.0 mm	15.0	59.0	147.0	112.0	36.0	65.0	16.0	5.5	1
KDP/N 24/12	87301120	black	12	12 / 8.0 – 12.0 mm	15.0	59.0	147.0	112.0	36.0	65.0	16.0	5.5	1
KDP/N 24/13	87301130	black	13	2 / 3.0 – 5.5 mm 6 / 4.1 – 8.1 mm 4 / 9.0 – 14.0 mm 1 / 14.0 – 20.0 mm	15.0	59.0	147.0	112.0	36.0	65.0	16.0	5.5	1
KDP/N 24/14	87301140	black	14	6 / 3.0 – 6.5 mm 4 / 5.0 – 9.2 mm 4 / 9.6 – 15.9 mm	15.0	59.0	147.0	112.0	36.0	65.0	16.0	5.5	1
KDP/N 24/17	87301150	black	17	17 / 5.0 – 9.2 mm	15.0	59.0	147.0	112.0	36.0	65.0	16.0	5.5	1
KDP/N 24/17-1	87301151	black	17	11 / 3.0 – 6.5 mm 1 / 4.1 – 8.1 mm 5 / 8.0 – 12.5 mm	15.0	59.0	147.0	112.0	36.0	65.0	16.0	5.5	1
KDP/N 24/22	87301160	black	22	16 / 3.0 – 6.5 mm 4 / 5.0 – 9.2 mm 2 / 8.0 – 12.5 mm	15.0	59.0	147.0	112.0	36.0	65.0	16.0	5.5	1
KDP/N 24/23	87301170	black	23	23 / 4.1 – 8.1 mm	15.0	59.0	147.0	112.0	36.0	65.0	16.0	5.5	1

## Cable entry plate plastic type KDP/N 24

Made in Germany  
RoHS compliant

Type	Order no.	Colour	Openings total	Openings quantity / Ø	Installation height mm	A mm	B mm	a mm	b mm	c mm	d mm	e mm	Pack qty.
KDP/N 24/29	87301180	black	29	29 / 3.0 – 6.5 mm	15.0	59.0	147.0	112.0	36.0	65.0	16.0	5.5	1
KDP/N 24/80	87301190	black	80	78 / 1.5 – 2.6 mm 2 / 2.5 – 5.0 mm	15.0	59.0	147.0	112.0	36.0	65.0	16.0	5.5	1

Other variants on request. Ask your Murrplastik team.

Matching label plate, type KSS 20x9 or KSS 10x8 – see catalogue ACS.

The correct tool for completing the cutaway can be found in the chapter on "Punching tools".



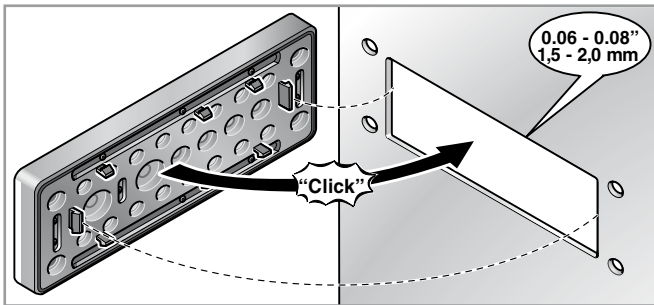




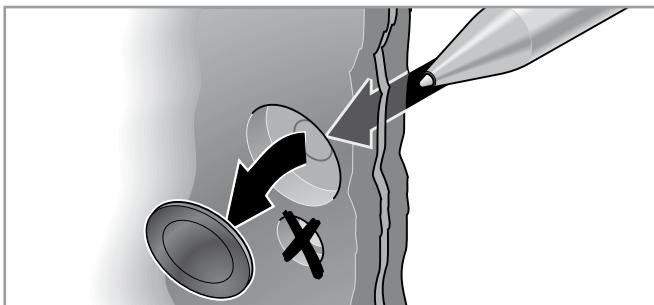


# Cable entry plate KDP plastic, rectangular

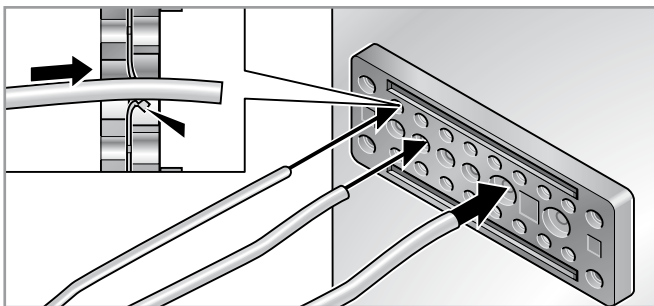
## Mounting KDP/N Snap-on mounting



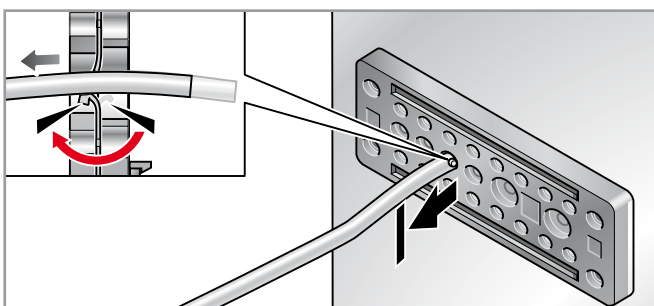
Create cut out (112 x 36 mm) for the KDP/N 24/x as shown in the illustration. Insert cable insertion plate and press on until it clicks into place.



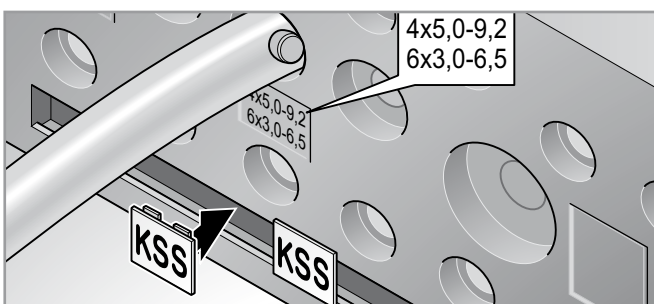
Where necessary, remove the optional black cover from the locking plate. To do so, press the opening through from the rear until the cover falls out.



Select an opening appropriate for the cable diameter and push the cable through the opening from the front. The indicator becomes visible on the rear of the KDP/N 24/x. Pull cable through to desired length.

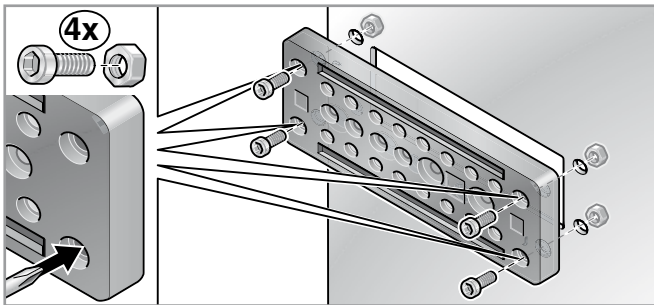


Retract cable approx. 10 – 15 mm until the indicator on the rear is no longer visible. Depending on cable diameter and insertion size, the indicator may well become visible on the front side again.

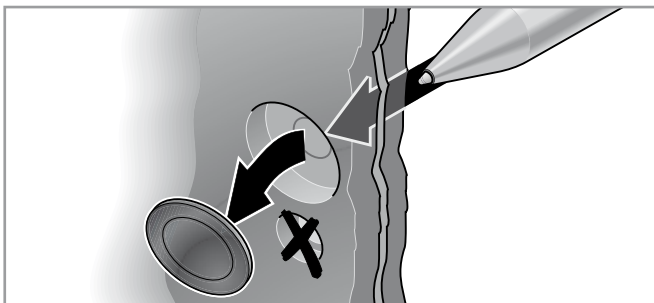


Position optional label plate (type KSS...) and click in. The clamping range for the openings (e.g. 4x5.0 – 9.2) are visible on the front of the insertion plate.

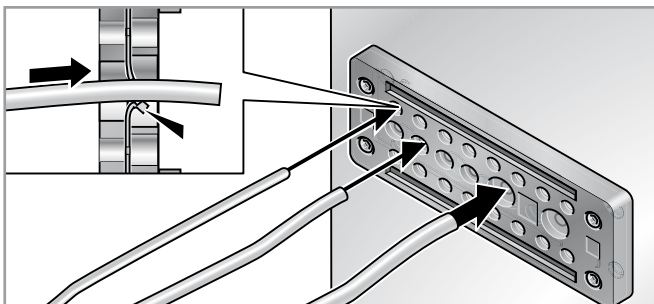
## Mounting KDP/N Screw-on mounting



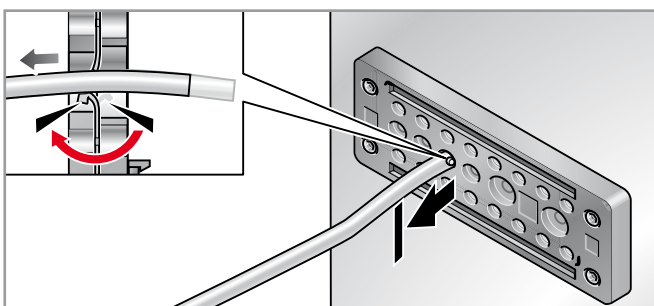
Create cut out (112 x 36 mm) and mounting holes for the KDP/N 24/x as shown in the illustration. Press through the membrane on the mounting holes on the cable entry plate. Set plate onto the cut-out and screw down.



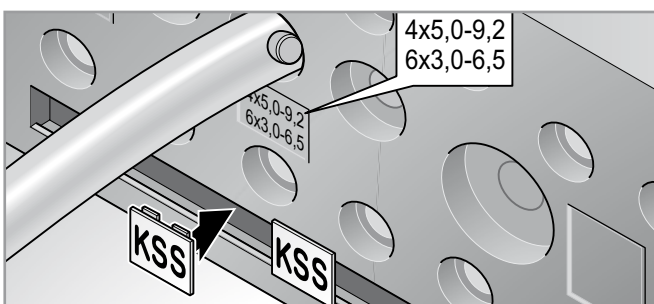
Where necessary, remove the optional black cover from the locking plate. To do so, press the opening through from the rear until the cover falls out.



Select an opening appropriate for the cable diameter and push the cable through the opening from the front. The indicator becomes visible on the rear of the KDP/N 24/x. Pull cable through to desired length.



Retract cable approx. 10 – 15 mm until the indicator on the rear is no longer visible. Depending on cable diameter and insertion size, the indicator may well become visible on the front side again.



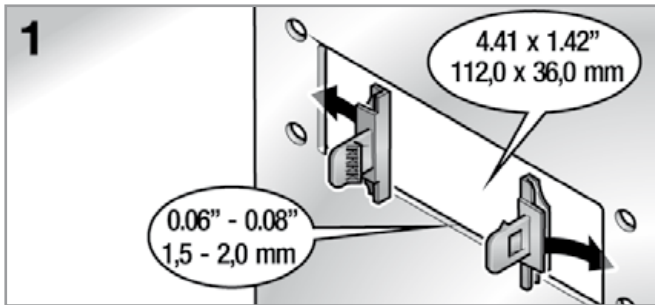
Position optional label plate (type KSS...) and click in. The clamping range for the openings (e.g. 4x5.0 – 9.2) are visible on the front of the insertion plate.



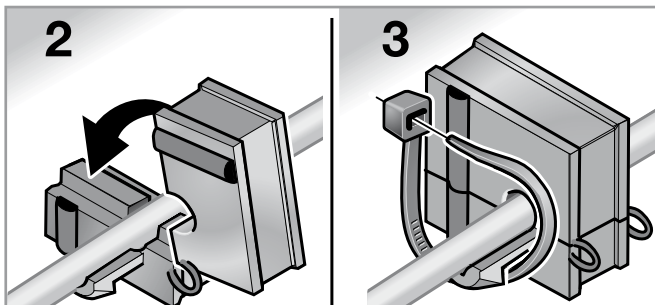


# Cable entry plate KDP plastic, rectangular

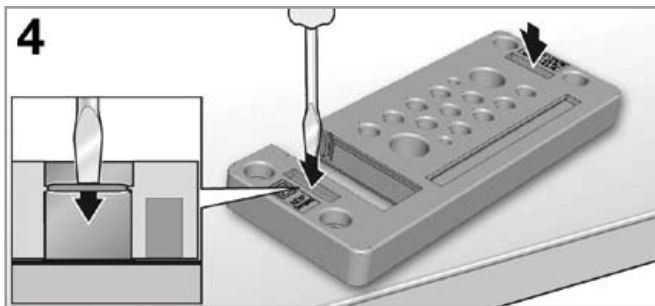
## Mounting KDP-Multi snap-on mounting



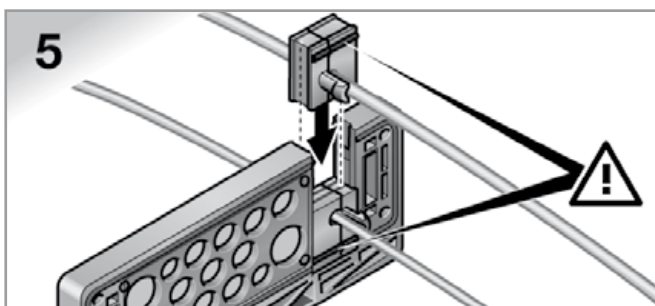
Create a cut-out (112 x 36 mm) for the cable entry plate. Set catch hooks into the sides of the cut-out.



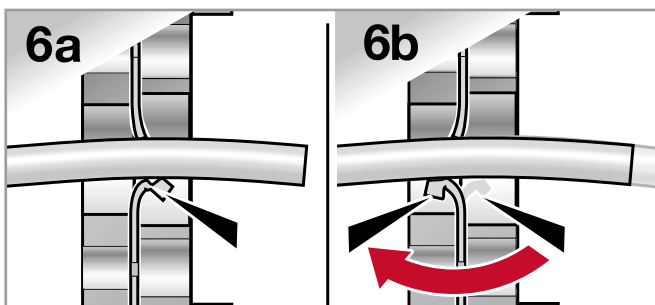
Lay cable into an appropriate grommet and provide strain relief where necessary using cable ties.



Use appropriate tool to punch through cover on base frame.

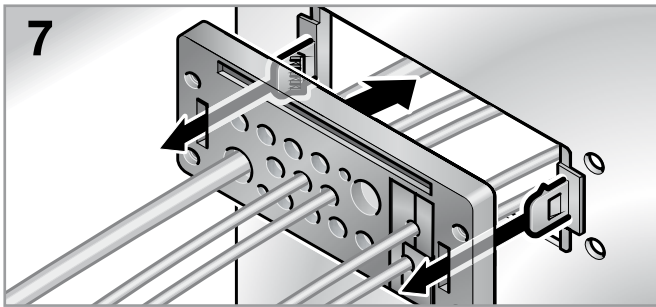


Select a sleeve suitable for the diameter of the cable and place the cable in the sleeve. Make sure there is enough cable length. Close grommets if necessary pull through the cable with a strain-relief cable tie to the desired length. Retract cable approx. 10 – 15 mm until the indicator on the rear is no longer visible. Depending on cable diameter and insertion size, the indicator may well become visible on the front side again.

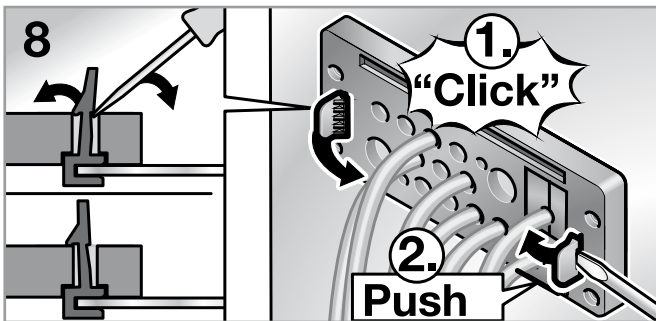


Select an opening appropriate for the cable diameter and push the cable through the opening from the front. The indicator becomes visible on the rear side. Pull cable through to desired length. Retract cable approx. 10 – 15 mm until the indicator on the rear is no longer visible. Depending on cable diameter and insertion size, the indicator may well become visible on the front side again.

## Mounting KDP-Multi snap-on mounting



Push the cable entry plate over the set catch and lock in place.

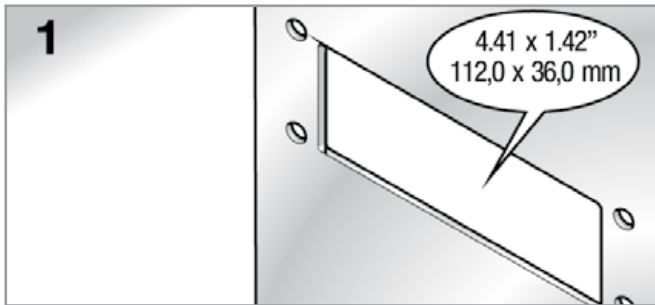


Lock the set catch and press down the cable entry plate again at the edges.

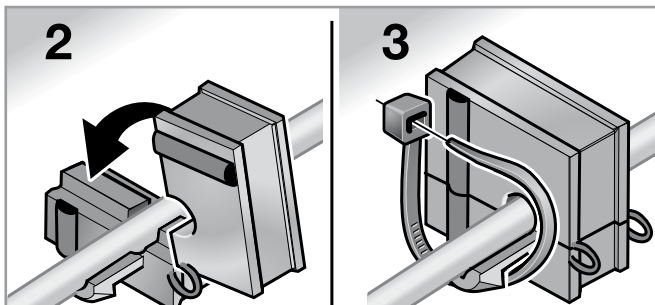


# Cable entry plate KDP plastic, rectangular

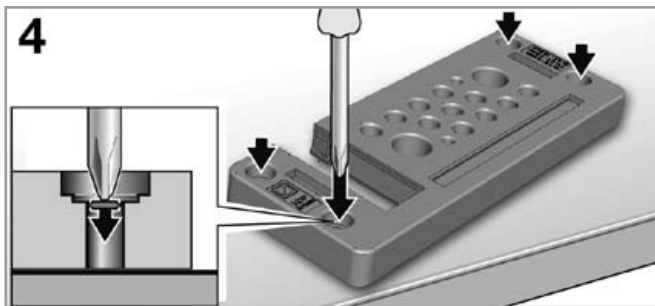
## Mounting KDP-Multi screw-on mounting



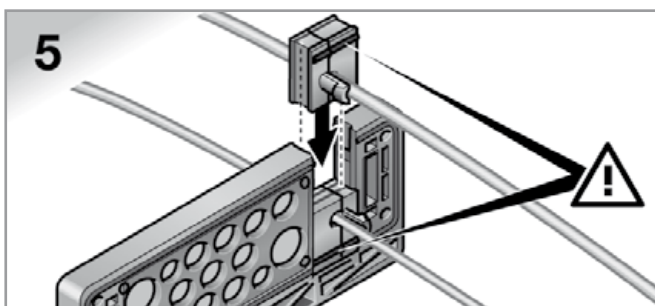
Create a cut-out and drill holes (112 x 36 mm) for the cable entry plate.



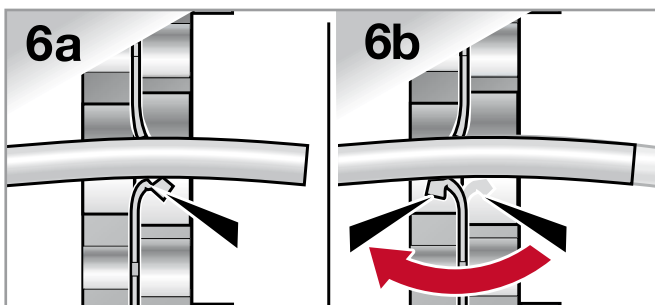
Lay cable into appropriate grommet and provide strain relief where necessary using cable ties.



Use appropriate tool to punch through cover on base frame.

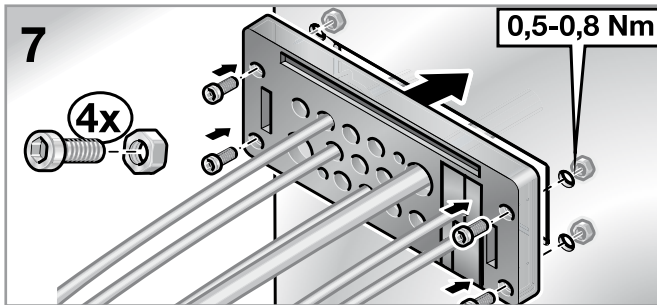


Select a sleeve suitable for the diameter of the cable and place the cable in the sleeve. Make sure there is enough cable length. Close the sleeve and if necessary relieve strain on the cable using a cable tie. Position the sleeve in the cable entry system.

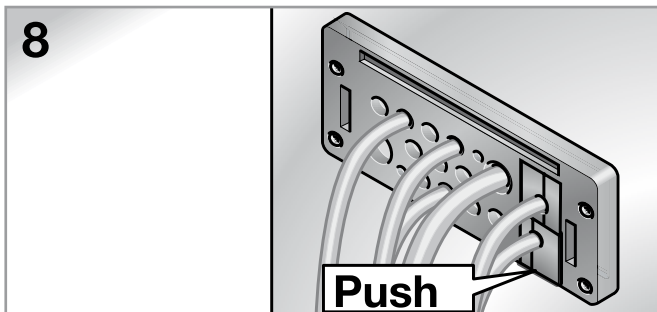


Select an opening appropriate for the cable diameter and push the cable through the opening from the front. The indicator becomes visible on the rear side. Pull cable through to desired length. Retract cable approx. 10 – 15 mm until the indicator on the rear is no longer visible. Depending on cable diameter and insertion size, the indicator may well become visible on the front side again.

## Mounting KDP-Multi screw-on mounting



Position and affix the cable entry plate above the cut-out.



Press down the cable entry system at the edges again.



**Cable entry plate KDP  
plastic round**





# Cable entry plate KDP plastic round

## Advantages



## Straight in! Now also for round cut-outs

Install electric cable and pneumatic hoses with minimal effort, saving time and money.

The KDP cable entry system is ideal if space is at a premium. Simply snap-in the KDP/R or screw in with a locking nut.

Push cable through in a few seconds. That's all there is to it!

The round version of the cable entry plates allows for work with round cut-outs.

The principle is identical to our tried-and-tested KDP/N 24 (rectangular).

Custom solutions with other hole patterns are available by request.



- ✓ Enormous time savings during assembly
- ✓ High packing density hence minimal space requirements
- ✓ Assembly without tools
- ✓ High protection class IP 65
- ✓ Protects the hoses & cables
- ✓ Can simply be locked in

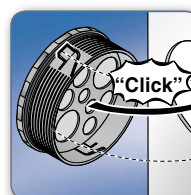
## Overview



### **Cable entry plate, round, type KDP/R**

Economical connection technology for tool-free wiring of equipment and machinery. Extremely quick mounting of cables and pneumatic conduits.

**Page 84**



### **Snap-on mounting Screw-on mounting**

Detailed construction and assembly instructions for the snap-on/screw-on fittings.

**Page 85**





# Cable entry plate KDP plastic round

## Selection table (possible combinations of cable entries)



The round cable entry plates type KDP/R are a real alternative to cable fitting. The KDP/R metal can be fitted directly, or using adapter plates, into prefabricated housing cut-outs. For a tool-less, rational connection technology for wiring machines and equipment. Extremely quick mounting of cables and pneumatic conduits. For snap-in fastening or screwing in place with a lock nut.

Number of openings on the cable entry plate corresponds to cable diameter

Ø mm	Ø mm	Ø mm	Ø mm	Ø mm	Ø mm	Ø mm
3.0-5.0	3.0-5.5	3.0-6.5	3.5-6.5	5.0-9.2	6.0-10.0	9.6-15.9



**KDP/R M50/04**  
Item no. 87301030

3 1



**KDP/R M50/06**  
Item no. 87301032

1 5



**KDP/R M50/08**  
Item no. 87301034

7 1



**KDP/R M63/08**  
Item no. 87301040

2 4 2



**KDP/R M63/13**  
Item no. 87301042

6 6 1



**KDP/R M63/19**  
Item no. 87301044

19

## Material data KDP plastic, round

 **Halogen-free**

 **Phosphorous-free**

 **Cadmium-free**

 **Asbestos-free**

 **Lead-free**

 **Silicone-free**



The cable entry plates types KDP/R M50 and KDP/R M63 comply with ROHS and feature IP class 65.

Additionally all components are free of halogen, phosphorous, cadmium, asbestos, lead and silicone.

It can be used within a temperature range of -30 to 90 °C. The housing of types KDP/R M50 and KDP/R M63 are

inspection according to fire classification V0

They are made of polyamide 6.6, the sealant plates used are made of TPU/NBR/EPDM.

UR approvals as well as approvals for the German and French railways exist for the housing.





# Cable entry plate KDP Plastic/round

## Cable entry plate, round, type KDP/R



-30 – 90 °C



Enclosure: Polyamide 6.6  
Seal: NBR/EPDM



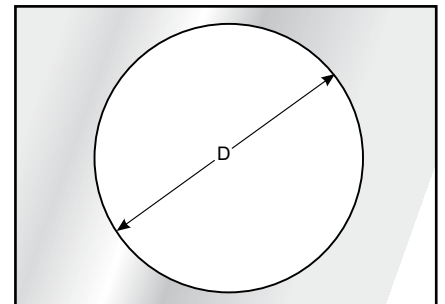
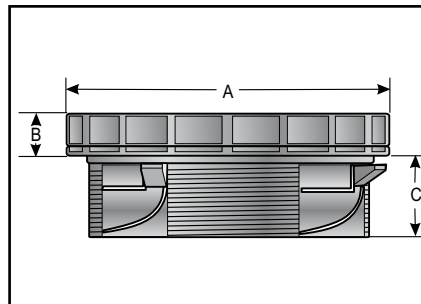
Enclosure: V0



IP 65

Economical connection technology for tool-free wiring of equipment and machinery. Extremely quick mounting of cables and pneumatic hoses. The real alternative to cable fittings. For snap-in fastening or screwing in place with a lock nut. Casing not included with delivery!

- For snapping in plates of 1.5 – 2.0 mm
- Integrated seal
- Compact design
- High protection class



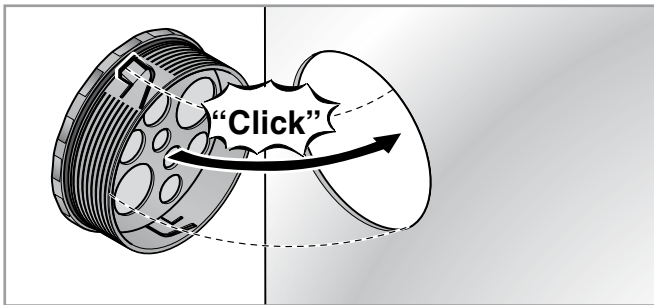
KDP/R...

Type	Order no.	Colour	Openings total	Openings quantity / Ø	Thread metric	A mm	B mm	C mm	D mm	Pack qty.
KDP/R M50/04	87301030	black	4	3 / 6.0 – 10.0 mm 1 / 9.6 – 15.9 mm	M50x1.5	58	9	24	50.5	1
KDP/R M50/06	87301032	black	6	1 / 3.0 – 5.5 mm 5 / 5.0 – 9.2 mm	M50x1.5	58	9	24	50.5	1
KDP/R M50/08	87301034	black	8	7 / 3.5 – 6.5 mm 1 / 6.0 – 10.0 mm	M50x1.5	58	9	24	50.5	1
KDP/R M63/08	87301040	black	8	2 / 3.0 – 6.5 mm 4 / 5.0 – 9.2 mm 2 / 9.6 – 15.9 mm	M63x1.5	71	9	25	63.5	1
KDP/R M63/13	87301042	black	13	6 / 3.0 – 5.5 mm 6 / 3.5 – 6.5 mm 1 / 6.0 – 10.0 mm	M63x1.5	71	9	25	63.5	1
KDP/R M63/19	87301044	black	19	19 / 3.0 – 5.0 mm	M63x1.5	71	9	25	63.5	1

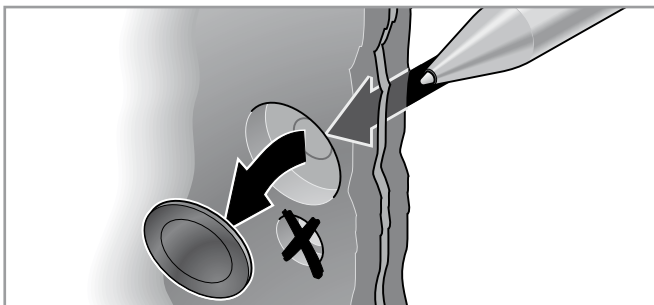
The right tool for cut-out production can be found in the chapter "Punching tools"

The right locknut can be found in the "Accessories" chapter

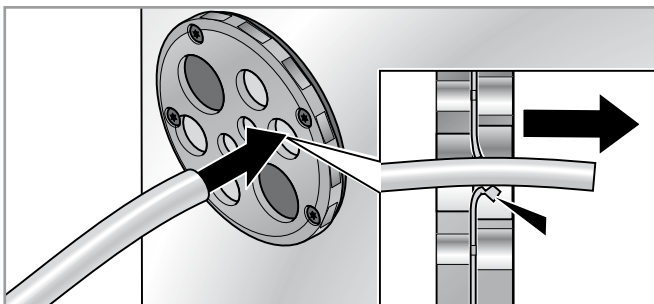
## Snap-on mounting



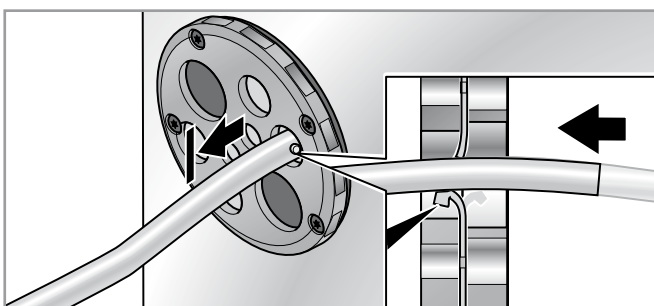
Create circular cut-out dimensioned for the KDP/R. Insert cable insertion plate and press on until it clicks into place.



Where necessary, remove the optional black cover from the locking plate. To do so, press the opening through from the rear until the cover falls out.



Select an opening appropriate for the cable diameter and push the cable through the opening from the front. The indicator becomes visible on the rear of the KDP/R. Pull cable through to desired length.

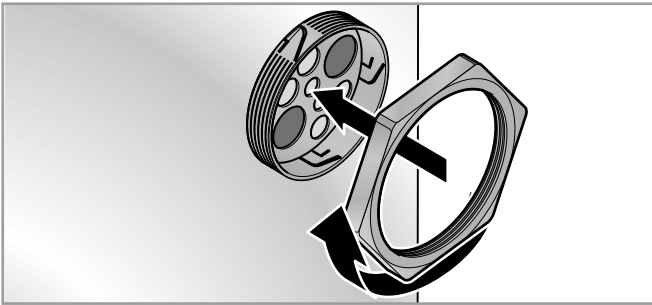


Retract cable approx. 10 – 15 mm until the indicator on the rear is no longer visible. Depending on cable diameter and insertion size, the indicator may well become visible on the front side again.

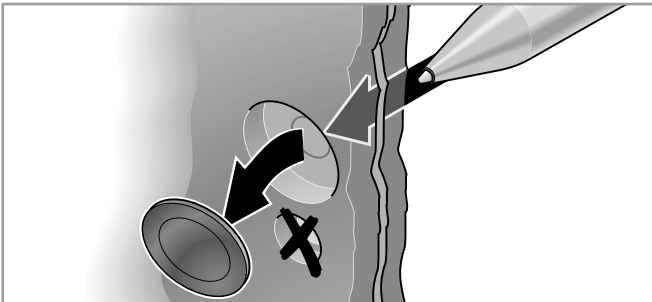


# Cable entry plate KDP Plastic/round

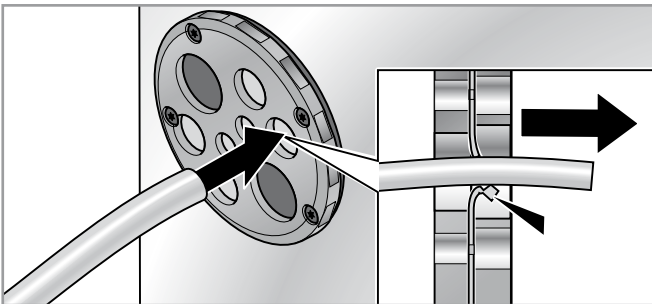
## Screw-on mounting



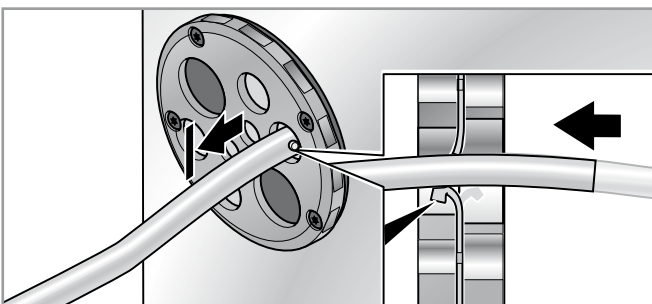
Create circular cut-out dimensioned for the KDP/R. Place cable insertion plate and press on. Fasten KDP/R with lock nut.



Where necessary, remove the optional black cover from the locking plate. To do so, press the opening through from the rear until the cover falls out.

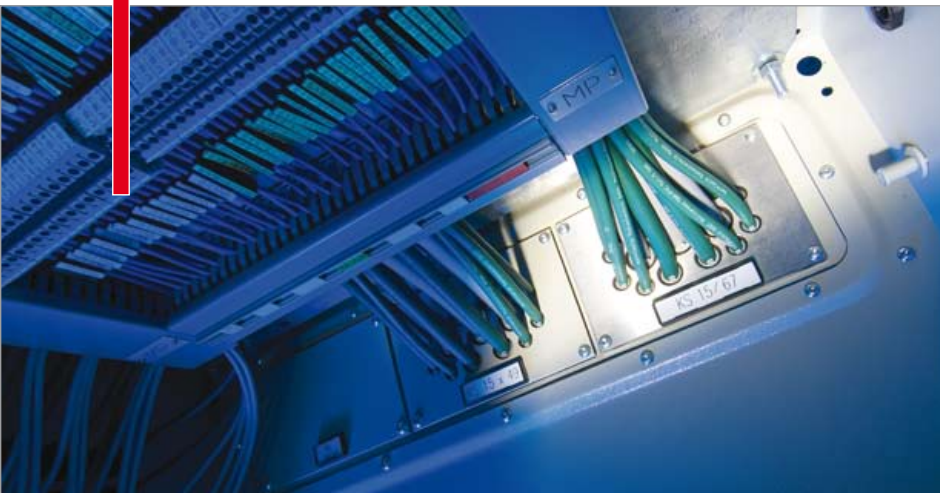


Select an opening appropriate for the cable diameter and push the cable through the opening from the front. The indicator becomes visible on the rear of the KDP/R. Pull cable through to desired length.



Retract cable approx. 10 – 15 mm until the indicator on the rear is no longer visible. Depending on cable diameter and insertion size, the indicator may well become visible on the front side again.

## Cable entry plate KDP Metal





# Cable entry plate, type KDP metal rectangular

## Advantages



## Fits in even confined spaces

The metal cable entry plate is, like the plastic version, an ideal alternative to cable fittings.

Cables and hoses can be installed in seconds, even in highly confined spaces.

Aluminium and stainless steel versions offer a broad range of applications.


Stainless steel version particularly suited for foodstuffs and chemical industries.

Quick installation of up to 292 services even while saving up to 50% of space thereby reducing costs as well.



- ✓ High packing density
- ✓ Quick installation
- ✓ High IP protection class
- ✓ Low installation height
- ✓ Fits in Rittal enclosure

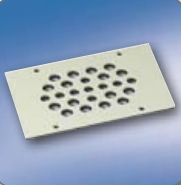
## Overview



**Cable entry plate metal  
KDP 90 (90x90 mm)**

The KDP metal cable entry plates with external dimensions 90x90mm can be mounted in cut-outs with  $\varnothing$  75 mm.


Page 101



**Cable entry plate metal  
KDP 90 (90x144 mm)**

The KDP metal cable entry plates with external dimensions 90x144 mm can be mounted in cut-outs measuring 71x109 mm.


Page 102



**Cable entry plate metal  
KDP 90 (90x221 mm)**

The KDP metal cable entry plates with external dimensions 90x221 mm can be mounted in cut-outs measuring 62x192 mm.


Page 103



**Cable entry plate metal  
KDP 90+3 (90x221 mm)**

The KDP metal cable entry plates with external dimensions 90x221 mm can be mounted in cut-outs measuring 62x192 mm. Additionally, up to three pre-assembled cables can be inserted.


Page 104



**Cable entry plate metal  
KDP 90 (90x294 mm)**

The KDP metal cable entry plates with external dimensions 90x294 mm can be mounted in cut-outs measuring 71x271 mm.


Page 105



**Cable entry plate metal  
KDP 90 (90x394 mm)**

The KDP metal cable entry plates with external dimensions 90x394 mm can be mounted in cut-outs measuring 71x371 mm.

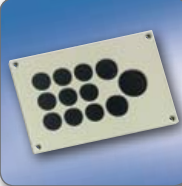
Page 106



**Cable entry plate metal  
KDP 100 (100x145 mm)**

The KDP metal cable entry plates with external dimensions 100x145 mm can be mounted in cut-outs measuring 82x132 mm.


Page 107



**Cable entry plate metal  
KDP 105 (100x155 mm)**

The KDP metal cable entry plates with external dimensions 105x155 mm can be mounted in cut-outs measuring 82x132 mm.


Page 109



**Cable entry plate metal  
KDP 120 (120x190 mm)**

The KDP metal cable entry plates with external dimensions 120x190 mm can be mounted in cut-outs measuring 94x164 mm.


Page 110



**Cable entry plate metal  
KDP 134 (134x254 mm)**

The KDP metal cable entry plates with external dimensions 134x254 mm can be mounted in cut-outs measuring 111x231 mm.


Page 111



**Cable entry plate metal  
KDP 149 (149x339 mm)**

The KDP metal cable entry plates with external dimensions 149x339 mm can be mounted in cut-outs measuring 115x303 mm.

Page 112



**Cable entry plate metal  
KDP 149 (149x534 mm)**

The KDP metal cable entry plates with external dimensions 149x534 mm can be mounted in cut-outs measuring 115x500 mm.

Page 113



**Assembly design ALU  
Assembly design V4A**

Detailed configuration and assembly instruction for design in aluminium/stainless steel.

Page 114

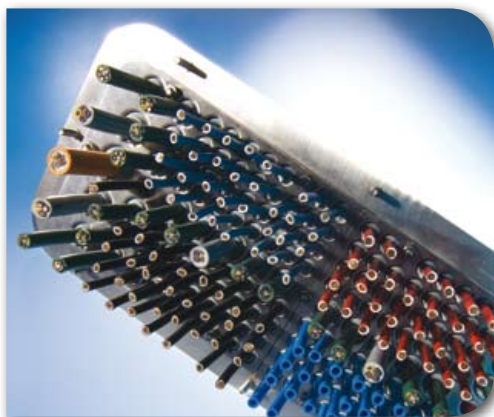






# Cable entry plate, type KDP metal rectangular

## Selection table KDP 90 (possible combinations of cable entries)



The KDP metal with installation height 90 mm is one of the many products from the KDP metal range. It can be fitted directly, or using adapter plates, into prefabricated housing cut-outs.

The technical advantage here is linked to the enormous time savings with cable assembly. IP class 65 is achieved without additional time or material. The cable entry plates from the KDP metal enable tool-free introduction of actuators, sensors, measuring and control instrumentation, optoelectronics, pneumatic lines and drive technology e.g. into a control housing.

### Number of openings on the cable entry plate corresponds to cable diameter

Ø mm	Ø mm	Ø mm	Ø mm	Ø mm	Ø mm	Ø mm	Ø mm
3.0-5.0	3.0-6.0	3.0-6.2	3.5-6.5	4.0-8.0	4.5-8.5	6.0-10.0	6.0+8.5



**KDP 90/13**  
V4A: Item no. 87663118

2 4 4

9 16



**KDP 90/28**  
ALU: Item no. 87663032  
V4A: Item no. 87663034

14 10

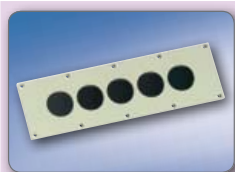
14 28



**KDP 90/55**  
V4A: Item no. 87663058

3 32 16

24 12 1+2



**KDP 90/5**  
ALU: Item no. 87663029

The stainless steel version is particularly suitable for application in the food and chemical industries. Integrated threaded bolts mean that no screws are visible from outside.

The cut-out of the KDP 90/39+3 enables up to three pre-assembled cables with a maximum connector size of 48 x 24 mm to be introduced.



**Number of openings on the cable entry plate corresponds to cable diameter**

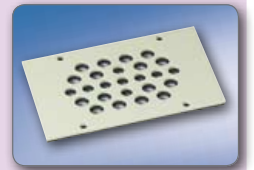
Ø mm	Ø mm	Ø mm	Ø mm	Ø mm	Ø mm	Ø mm
7.0-11.0	8.0-12.0	9.0-14.0	11.0-16.0	12.0-18.0	14.0-18.0	16.0-28.0

2

1

**KDP 90/25**

ALU: Item no. 87663022



2

2

**KDP 90/47**

ALU: Item no. 87663037  
V4A: Item no. 87663039



4

1

4

**KDP 90/39+3**

ALU: Item no. 87663036  
V4A: Item no. 87663038

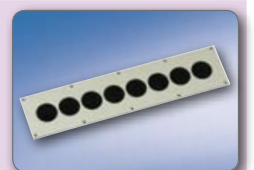


3

5

**KDP 90/8**

ALU: Item no. 87663026



8





The cable entry plates from the KDP metal enable tool-free introduction of actuators, sensors, measuring and control instrumentation, optoelectronics, pneumatic lines and drive technology e.g. into a control housing. The stainless steel version is particularly suitable for application in the food and chemical industries. Integrated threaded bolts mean that no screws are visible from outside.



**Number of openings on the cable entry plate corresponds to cable diameter**

Ø mm 8.0–12.0	Ø mm 9.0–14.0	Ø mm 11.0–16.0	Ø mm 12.0–18.0	Ø mm 16.0–24.0
				6
3	12			
18				
	6			
	4	2		

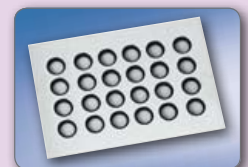
**KDP 100/15**

V4A: Item no. 87663120



**KDP 100/24**

V4A: Item no. 87663124



**KDP 100/30B**

V4A: Item no. 87663063



**KDP 100/56**

V4A: Item no. 87663060



**KDP 100/56C**

V4A: Item no. 87663067





# Cable entry plate, type KDP metal rectangular

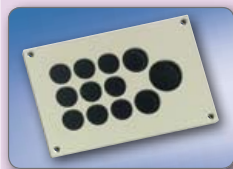
## Selection table KDP 105/120/134 (possible combinations of cable entries)



The KDP metal with installation heights 100, 105 and 134 mm are further products from the KDP metal range. The 120 series is ideally suited for the electric power area. Performance cables and services are sealed and fed into control cabinets or junction boxes and are supported stably. The technical advantage here is linked to the enormous time savings with cable assembly. IP class 65 is achieved without additional time or material.

### Number of openings on the cable entry plate corresponds to cable diameter

Ø mm 3.0–5.0	Ø mm 3.5–6.5	Ø mm 4.0–8.0	Ø mm 6.0–10.0	Ø mm 8.0–12.0	Ø mm 9.0–14.0
					9
			8		4
16		12	4		
			6		4
	8		18		
2		6	15	4	5



#### KDP 105/12

ALU: Item no. 87663056  
V4A: Item no. 87663057



#### KDP 105/32

ALU: Item no. 87663010  
V4A: Item no. 87663012



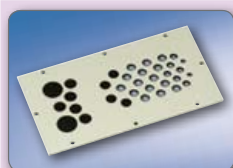
#### KDP 120/2B

ALU: Item no. 87663002



#### KDP 120/17

ALU: Item no. 87663004



#### KDP 134/34

ALU: Item no. 87663024

The cable entry plates from the KDP metal enable tool-free introduction of actuators, sensors, measuring and control instrumentation, optoelectronics, pneumatic lines and drive technology e.g. into a control panel. The stainless steel version is particularly suitable for application in the food and chemical industries. Integrated threaded bolts mean that no screws are visible from outside.



**Number of openings on the cable entry plate corresponds to cable diameter**

Ø mm	Ø mm	Ø mm	Ø mm	Ø mm	Ø mm
9.6–15.9	12.0–18.0	14.0–20.0	18.0–25.0	18.0–36.0	36.0–49.0

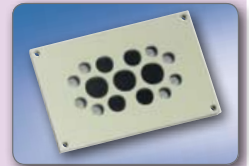
2

1

3

**KDP 105/15**

ALU: Item no. 87663014  
V4A: Item no. 87663016



2

**KDP 120/2**

ALU: Item no. 87663001



2

1

1

**KDP 120/2C**

ALU: Item no. 87663003



3

4

7

2

**KDP 120/35**

ALU: Item no. 87663005



2





# Cable entry plate, type KDP metal rectangular

## Selection table KDP 149 (possible combinations of cable entries)



The KDP metal with installation height 149 mm is one of the many products from the KDP metal range. KDPs of product group 149 can be fitted directly into the standard cut-outs of Rittal or Sarel cabinets. The technical advantage here is linked to the enormous time savings with cable assembly. IP class 65 is achieved without additional time or material.

### Number of openings on the cable entry plate corresponds to cable diameter

Ø mm 3.5–6.2	Ø mm 4.5–8.5	Ø mm 6.0–10.0	Ø mm 6.0–12.0	Ø mm 8.0–12.0
		<b>36</b>		
<b>126</b>		<b>24</b>		<b>6</b>
		<b>8</b>		
<b>16</b>	<b>64</b>	<b>36</b>		<b>4</b>
<b>250</b>		<b>32</b>		<b>8</b>



**KDP 149/56**  
V4A: Item no. 87663086



**KDP 149/46**  
ALU: Item no. 87663064



**KDP 149/292**  
V4A: Item no. 87663066

## Material data for all KDP metal



**Halogen-free**



**Phosphorous-free**



**Cadmium-free**



**Asbestos-free**



**Lead-free**



**Silicone-free**



All types of KDP metal comply with ROHS and feature the high IP class 65. Additionally all components are free of halogen, phosphorous, cadmium, asbestos, lead and silicone. KDP metal also have CSA approval.

It can be used within a temperature range of -30 to 90 °C. Aluminium designs, recognisable by the additional type ALU, are

made of high quality AlMg3 (3.3535). Stainless steel designs, recognisable by the additional type V4A, are made of stainless steel of quality category V4A (1.4571).

The sealant on all KDP metal type is made of NBR/EPDM.

The cable entry plates from the KDP metal enable tool-free introduction of actuators, sensors, measuring and control instrumentation, optoelectronics, pneumatic lines and drive technology e.g. into a control panel. The stainless steel version is particularly suitable for application in the food and chemical industries. Integrated threaded bolts mean that no screws are visible from outside.



**Number of openings on the cable entry plate corresponds to cable diameter**

Ø mm 9.0–14.0	Ø mm 10.0–14.0	Ø mm 12.0–18.0	Ø mm 14.0–18.0	Ø mm 18.0–25.0
8			8	4
		2		
	16	18		4
8			8	4
		2		

**KDP 149/158**  
V4A: Item no. 87663068



**KDP 149/140**  
V4A: Item no. 87663088







# Cable entry plate, type KDP metal rectangular

## Assigning cut-out codes / KDP types / adapter plates

### Cut-out codes for direct assembly of the KDP in the control cabinet

Code  
**90A**



KDP 90/13  
Page 101

Code  
**90B**



KDP 90/25  
Page 102

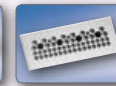
Code  
**90C**



KDP 90/28  
Page 103



KDP 90/47  
Page 103



KDP 90/55  
Page 103



KDP 90/90+3  
Page 104

Code  
**90E**



KDP 90/5  
Page 105

Code  
**90F**



KDP 90/8  
Page 106

Code  
**100A**



KDP 100/6  
Page 107



KDP 100/15  
Page 107



KDP 100/18  
Page 107



KDP 100/24  
Page 107



KDP 100/30  
Page 107



KDP 100/30B  
Page 107



KDP 100/40  
Page 107



KDP 100/56  
Page 107



KDP 100/56B  
Page 107



KDP 100/56C  
Page 108

Code  
**105A**



KDP 105/12  
Page 109



KDP 105/15  
Page 109



KDP 105/32  
Page 109

Code  
**120A**



KDP 120/2  
Page 110



KDP 120/2B  
Page 110



KDP 120/2C  
Page 110



KDP 120/17  
Page 110



KDP 120/35  
Page 110

Code  
**134A**



KDP 134/34  
Page 111

Code  
**149A**



KDP 149/56  
Page 112



KDP 149/158  
Page 112

Code  
**149B**



KDP 149/46  
Page 113



KDP 149/140  
Page 113



KDP 149/292  
Page 113

### Cut-out codes for indirect assembly of the KDP in the control cabinet using the adapter plate

Code  
**AP130A**



KDP AP/SA/130/100/3+2  
for 3x KDP 100/xx + 2x M32  
Page 142

Code  
**AP130B**



KDP AP/SA/130/100/2+4  
for 2x KDP 100/xx + 4x M32  
Page 142

Code  
**AP130C**



KDP AP/SA/130/100/2  
for 2x KDP 100/xx  
Page 142

Code  
**AP149A**



KDP AP 149/100/2  
for 2x KDP 100/xx  
Page 141

Code  
**AP149B**



KDP AP 149/100/3  
for 3x KDP 100/xx  
Page 141



KDP AP 149/105/3  
for 3x KDP 105/xx  
Page 141

## Selection table Rittal Housing (Murrplastik cut-out codes)

Rittal		Murrplastik		Rittal		Murrplastik	
Order no.	Type	Cut-out code for direct assembly	Cut-out code for adapter plate.	Order no.	Type	Cut-out code for direct assembly	Cut-out code for adapter plate.
1039.500	AE	149B	AP149B	7011.535	DK	149B	AP149B
1045.500	AE	149A	AP149A	7012.535	DK	149B	AP149B
1050.500	AE	149A	AP149A	7013.535	DK	149B	AP149B
1057.500	AE	149A	AP149A	7014.535	DK	149B	AP149B
1058.500	AE	149B	AP149B	7454.xxx	DK	90C	
1060.500	AE	149B	AP149B	7641.000	DK	149B	AP149B
1073.500	AE	149B	AP149B	7643.000	DK	149B	AP149B
1076.290	AE	149B	AP149B	7644.000	DK	149B	AP149B
1076.500	IN	149B	AP149B	7645.000	DK	149B	AP149B
1077.500	AE	149B	AP149B	9665.815	SV	149A	AP149A
1090.500	AE	149B	AP149B	9665.825	SV	149B	AP149B
1100.500	AE	149A	AP149A	9665.835	SV	149B	AP149B
1110.500	AE	149A	AP149A	9665.845	SV	149B	AP149B
1114.500	AE	149A	AP149A	9665.855	SV	149A	AP149A
1130.500	AE	149A	AP149A	9751.125	CS	149A	AP149A
1180.500	AE	149B	AP149B	9751.145	CS	149A	AP149A
1213.500	AE	149A	AP149A	9751.165	CS	149A	AP149A
1260.500	AE	149B	AP149B	9752.125	CS	149A	AP149A
1280.500	AE	149B	AP149B	9771.110	CS	149A	AP149A
1338.500	AE	149A	AP149A	9771.115	CS	149A	AP149A
1339.500	AE	149B	AP149B	9772.110	CS	149B	AP149B
1350.500	AE	149A	AP149A	9772.115	CS	149B	AP149B
1360.500	AE	149B	AP149B	9774.200	CS	149A	AP149A
1376.500	AE	149B	AP149B	9774.210	CS	149A	AP149A
1530.510	KL	90C		9774.250	CS	149A	AP149A
1531.510	KL	90C		9774.400	CS	149A	AP149A
1532.510	KL	90C		9774.410	CS	149A	AP149A
1533.510	KL	90C		9774.450	CS	149A	AP149A
1534.510	KL	90C		9775.100	CS	149A	AP149A
1535.510	KL	90C		9775.200	CS	149A	AP149A
1536.510	KL	90C		9775.300	CS	149A	AP149A
1537.510	KL	90C		9775.400	CS	149A	AP149A
1538.510	KL	90C					
1539.510	KL	90C					
1540.510	KL	90C					
1541.510	KL	90C					
1542.510	KL	90C					
1919.500	EL	149B	AP149B				
1920.500	EL	149B	AP149B				
1926.500	EL	149B	AP149B				
6214.xx0	CP	90C					
6220.xx0	CP	90C					
6900.xxx	IW	90C					
6901.xxx	IW	90C					





## Selection table Sarel Housing (Murrplastik cut-out codes)

Sarel	Murrplastik		Sarel	Murrplastik	
	Order no.	Cut-out code for direct assembly		Cut-out code for adapter plate.	Order no.
87019 (83019)	–	AP130C	87545 (83545)	–	AP130C
87319 (83319)	–	AP130C	87046 (83046)	–	AP130C
87519 (83519)	–	AP130C	87346 (83346)	–	AP130C
87022 (83022)	–	AP130B	87546 (83546)	–	AP130C
87322 (83322)	–	AP130B	87047 (83047)	–	AP130B
87522 (83522)	–	AP130B	87347 (83347)	–	AP130B
87023 (83023)	–	AP130C	87054 (83054)	–	AP130A
87323 (83323)	–	AP130C	87354 (83354)	–	AP130A
87523 (83523)	–	AP130C	87554 (83554)	–	AP130A
87024 (83024)	–	AP130C	87056 (83056)	–	AP130A
87324 (83324)	–	AP130C	87356 (83356)	–	AP130A
87524 (83524)	–	AP130C	87556 (83556)	–	AP130A
87025 (83025)	–	AP130B	87060 (83060)	–	AP130C
87325 (83325)	–	AP130B	87360 (83360)	–	AP130C
87525 (83525)	–	AP130B	87560 (83560)	–	AP130C
87026 (83026)	–	AP130C	87061 (83061)	–	AP130C
87326 (83026)	–	AP130C	87361 (83361)	–	AP130C
87526 (83526)	–	AP130C	87561 (83561)	–	AP130C
87027 (83027)	–	AP130C	87062 (83062)	–	AP130C
87327 (83327)	–	AP130C	87362 (83362)	–	AP130C
87527 (83527)	–	AP130C	87562 (83562)	–	AP130C
87028 (83028)	–	AP130A	87063 (83063)	–	AP130B
87328 (83328)	–	AP130A	87363 (83363)	–	AP130B
87528 (83528)	–	AP130A	87563 (83563)	–	AP130B
87029 (83029)	–	AP130A	87064 (83064)	–	AP130C
87329 (83329)	–	AP130A	87364 (83364)	–	AP130C
87529 (83529)	–	AP130A	87564 (83564)	–	AP130C
87031 (83031)	–	AP130A	87065 (83065)	–	AP130B
87331 (83331)	–	AP130A	87365 (83365)	–	AP130B
87531 (83531)	–	AP130A	87565 (83565)	–	AP130B
87032 (83032)	–	AP130A	87066 (83066)	–	AP130B
87332 (83332)	–	AP130A	87366 (83366)	–	AP130B
87532 (83532)	–	AP130A	87067 (83067)	–	AP130C
87035 (83035)	–	AP130B	87367 (83367)	–	AP130C
87335 (83335)	–	AP130B	87567 (83567)	–	AP130C
87535 (83535)	–	AP130B	87070 (83070)	–	AP130B
87037 (83037)	–	AP130C	87370 (83370)	–	AP130B
87337 (83337)	–	AP130C	87570 (83570)	–	AP130B
87537 (83537)	–	AP130C	87071 (83071)	–	AP130B
87043 (83043)	–	AP130A	87371 (83371)	–	AP130B
87543 (83343)	–	AP130A	87571 (83571)	–	AP130B
87543 (83543)	–	AP130A			
87045 (83045)	–	AP130C			
87345 (83345)	–	AP130C			





## Cable entry plate Metal Type 90 (90x221 mm)

RoHS  
compliant



-30 – 90 °C



Plate: see article  
Seal: NBR/EPDM

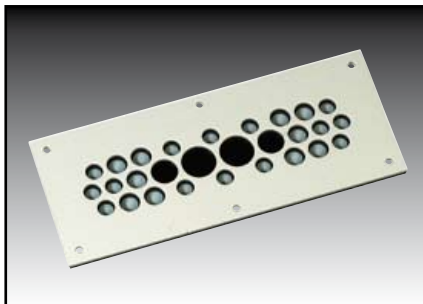


IP 65

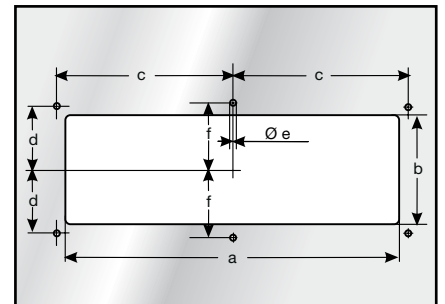
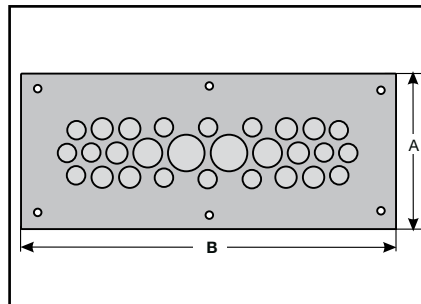


Cut-out code:  
90C

Efficient connection technology for terminal housings and control cabinets for tool-free introduction of actuators, sensors, measuring and control instrumentation, optoelectronics, pneumatic lines and drive technology into a control panel. The stainless steel version is particularly suitable for application in the food and chemical areas. Integrated threaded bolts mean that no screws are visible from outside. Mounting set included in delivery.



KDP 90/28...



Type	Order no.	Colour	Openings total	Openings quantity / Ø	Material Plate	A mm	B mm	a mm	b mm	c mm	d mm	e mm	f mm	Pack qty.
KDP 90/28 ALU	87663032	RAL 7035	28	14 / 4.0 – 8.0 mm	AlMg3 (3.3535)	90.0	221.0	192.0	62.0	101.0	36.0	4.5	38.0	1
KDP 90/28 V4A	87663034	smoothed	28	10 / 6.0 – 10.0 mm 2 / 9.0 – 14.0 mm 2 / 12.0 – 18.0 mm	V4A (1.4571)	90.0	221.0	192.0	62.0	101.0	36.0	4.5	38.0	1
KDP 90/47 ALU*	87663037	RAL 7035	47	14 / 3.5 – 6.5 mm	AlMg3 (3.3535)	90.0	221.0	192.0	62.0	101.0	36.0	4.5	38.0	1
KDP 90/47 V4A*	87663039	smoothed	47	28 / 4.5 – 8.5 mm 4 / 7.0 – 11.0 mm 1 / 11.0 – 16.0 mm	V4A (1.4571)	90.0	221.0	192.0	62.0	101.0	36.0	4.5	38.0	1
KDP 90/55 V4A	87663058	smoothed	55	3 / 3.0 – 5.0 mm 32 / 3.0 – 6.2 mm 16 / 4.0 – 8.0 mm 4 / 8.0 – 12.0 mm	V4A (1.4571)	90.0	221.0	192.0	62.0	101.0	36.0	4.5	38.0	1

\* No UR authorisation





# Cable entry plate KDP Metal

## Cable entry plate Metal Type 90+3 (90x221 mm)



-30 – 90 °C



Plate: see article  
Seal: NBR/EPDM



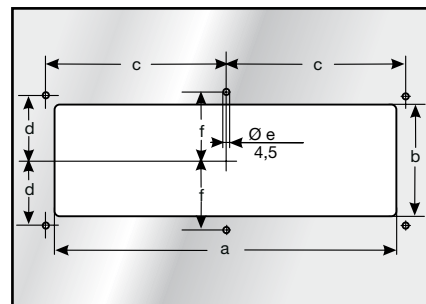
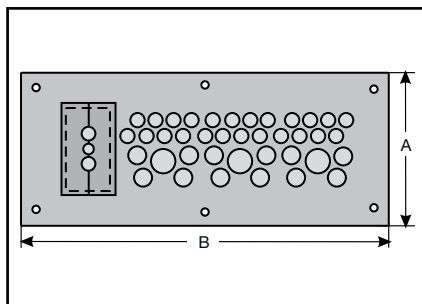
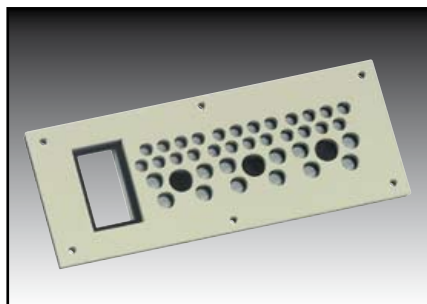
IP 65



Cut-out code:  
90C

Efficient connection technology for terminal boxes and control cabinets for tool-free introduction of actuators, sensors, measuring and control instrumentation, optoelectronics, pneumatic lines and drive technology into a control panel. The cut-out of the KDP 90/39+3 enables up to three pre-assembled cables with a maximum connector size of 48 x 24 mm to be introduced. The connector grommet is simply inserted into the plate and locked from behind by means of a quick-release lock.

The stainless steel version is particularly suitable for application in the food and chemical areas. Integrated threaded bolts mean that no screws are visible from outside. Mounting set included in delivery.



KDP 90/39+3...

Type	Order no.	Colour	Openings total	Openings quantity / Ø	Material Plate	A mm	B mm	a mm	b mm	c mm	d mm	e mm	f mm	Pack qty.
------	-----------	--------	----------------	-----------------------	----------------	------	------	------	------	------	------	------	------	-----------

KDP 90/39+3 ALU	87663036	RAL 7035	42	24 / 3.0 – 6.0 mm	AlMg3 (3.3535)	90.0	221.0	192.0	62.0	101.0	36.0	4.5	38.0	1
KDP 90/39+3 V4A	87663038	smoothed	42	12 / 4.0 – 8.0 mm	V4A (1.4571)	90.0	221.0	192.0	62.0	101.0	36.0	4.5	38.0	1
				3 / 8.0 – 12.0 mm										

For pre-assembled cables

3 additional entries are

available as well as the 39 standard entries. 1x 6,0 mm and 2x 8,5 mm

The maximum connector size is 48 x 24 mm.

## Cable entry plate Metal Type 90 (90x294 mm)

RoHS compliant



-30 – 90 °C



Plate: see article  
Seal: NBR/EPDM

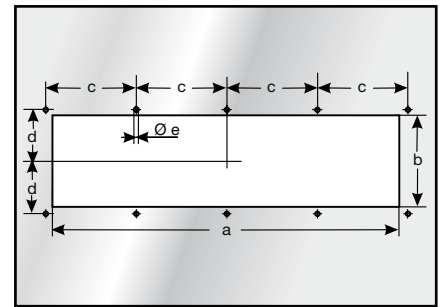
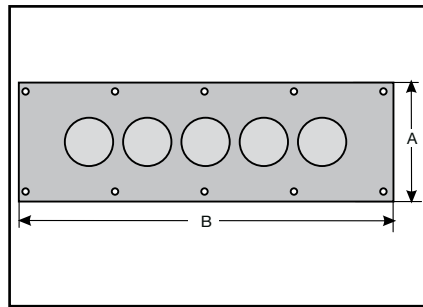
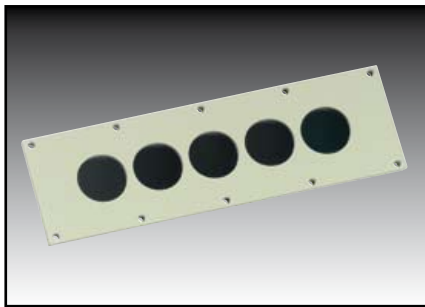


IP 65



Cut-out code:  
90E

Cable entry plate for insertion of power cables. Ideally suited for roof or floor openings at switch cabinets.



KDP 90/5...

Type	Order no.	Colour	Openings total	Openings quantity / Ø	Material Plate	A mm	B mm	a mm	b mm	c mm	d mm	e mm	Pack qty.
------	-----------	--------	----------------	-----------------------	----------------	------	------	------	------	------	------	------	-----------

KDP 90/5 ALU	87663029	RAL 7035	5	5 / 16.0 – 28.0 mm *	AlMg3 (3.3535)	90.0	294.0	271.0	71.0	70.0	39.5	5.5	1
--------------	----------	----------	---	----------------------	----------------	------	-------	-------	------	------	------	-----	---

\* The maximum cable lug width of power cables is 32.0 mm







# Cable entry plate KDP Metal

## Cable entry plate Metal Type 90 (90x394 mm)



-30 – 90 °C



Plate: see article  
Seal: NBR/EPDM

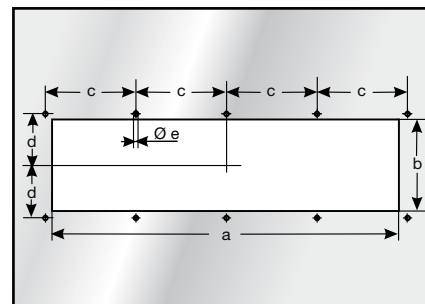
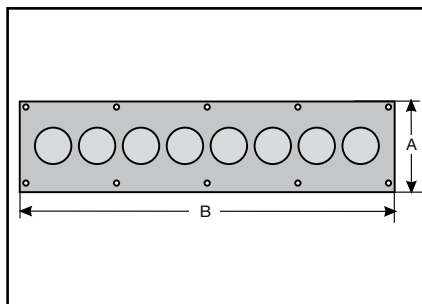
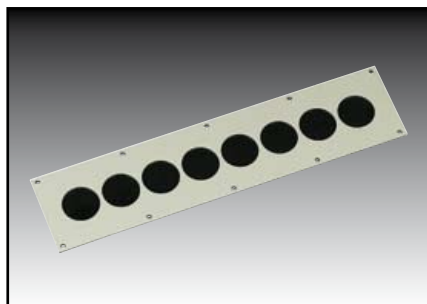


IP 65



Cut-out code:  
90F

Cable entry plate for insertion of power cables. Ideally suited for roof or floor openings at switch cabinets.



KDP 90/8...

Type	Order no.	Colour	Openings total	Openings quantity / Ø	Material Plate	A mm	B mm	a mm	b mm	c mm	d mm	e mm	Pack qty.
------	-----------	--------	----------------	-----------------------	----------------	------	------	------	------	------	------	------	-----------

KDP 90/8 ALU	87663026	RAL 7035	8	8 / 16,0 – 28,0 mm *	AlMg3 (3.3535)	90.0	394.0	371.0	71.0	95.0	39.5	5.5	1
--------------	----------	----------	---	----------------------	----------------	------	-------	-------	------	------	------	-----	---

\* The maximum cable lug width of power cables is 32.0 mm



## Cable entry plate Metal Type 100 (105x145 mm)

RoHS  
compliant



-30 – 90 °C



Plate: see article  
Seal: NBR/EPDM



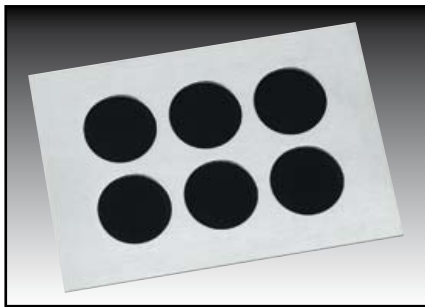
IP 65



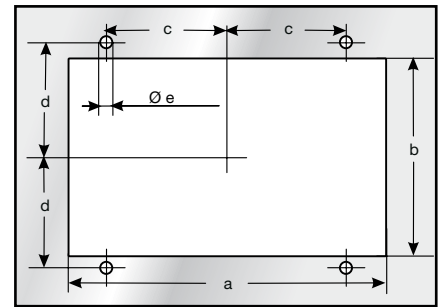
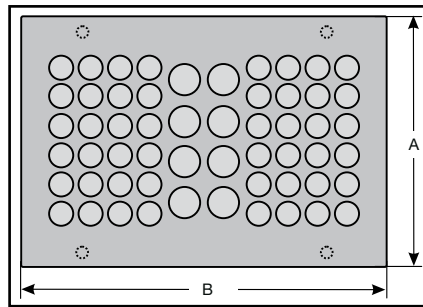
Cut-out code:  
100A

Efficient connection technology for terminal boxes and control cabinets for tool-free introduction of actuators, sensors, measuring and control instrumentation, optoelectronics, pneumatic lines and drive technology into a control panel. KDPs of the product group 100 fits into standard cut-outs for Rittal and Sarel cabinets when combined with adapter plates. These adapter plates can be configured individually.

The stainless steel version is particularly suitable for application in the food and chemical areas. Integrated threaded bolts mean that no screws are visible from outside. Mounting set included in delivery.



KDP 100/6...



Type	Order no.	Colour	Openings total	Openings quantity / Ø	Material Plate	A mm	B mm	a mm	b mm	c mm	d mm	e mm	Pack qty.
KDP 100/6 V4A	87663116	smoothed	6	6 / 16.0 – 24.0 mm	V4A (1.4571)	100.0	145.0	132.0	82.0	50.0	45.0	4.5	1
KDP 100/15 V4A	87663120	smoothed	15	3 / 8.0 – 12.0 mm 12 / 11.0 – 16.0 mm	V4A (1.4571)	100.0	145.0	132.0	82.0	50.0	45.0	4.5	1
KDP 100/18 V4A	87663122	smoothed	18	18 / 8.0 – 12.0 mm	V4A (1.4571)	100.0	145.0	132.0	82.0	50.0	45.0	4.5	1
KDP 100/24 V4A	87663124	smoothed	24	24 / 6.0 – 10.5 mm	V4A (1.4571)	100.0	145.0	132.0	82.0	50.0	45.0	4.5	1
KDP 100/30 V4A	87663062	smoothed	30	12 / 3.5 – 6.2 mm 12 / 6.0 – 10.0 mm 6 / 9.0 – 14.0 mm	V4A (1.4571)	100.0	145.0	132.0	82.0	50.0	45.0	4.5	1
KDP 100/30B V4A	87663063	smoothed	30	12 / 3.5 – 6.2 mm 12 / 6.0 – 10.0 mm 4 / 9.0 – 14.0 mm 2 / 12.0 – 18.0 mm	V4A (1.4571)	100.0	145.0	132.0	82.0	50.0	45.0	4.5	1
KDP 100/40 V4A	87663061	smoothed	40	40 / 4.5 – 8.5 mm	V4A (1.4571)	100.0	145.0	132.0	82.0	50.0	45.0	4.5	1
KDP 100/56 V4A	87663060	smoothed	56	48 / 3.5 – 6.2 mm 8 / 6.0 – 10.0 mm	V4A (1.4571)	100.0	145.0	132.0	82.0	50.0	45.0	4.5	1
KDP 100/56B V4A	87663065	smoothed	56	48 / 1.0 – 3.5 mm 8 / 3.5 – 6.5 mm	V4A (1.4571)	100.0	145.0	132.0	82.0	50.0	45.0	4.5	1





## Cable entry plate Metal Type 105 (105x155 mm)

RoHS  
compliant



-30 – 90 °C



Plate: see article  
Seal: NBR/EPDM



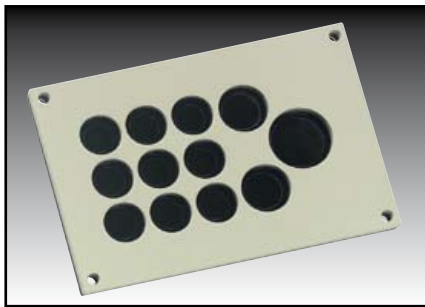
IP 65



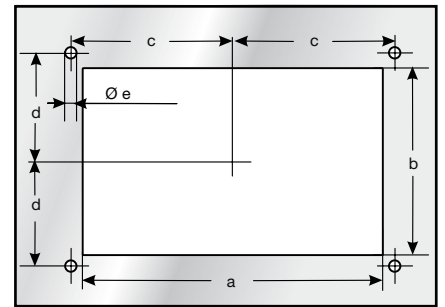
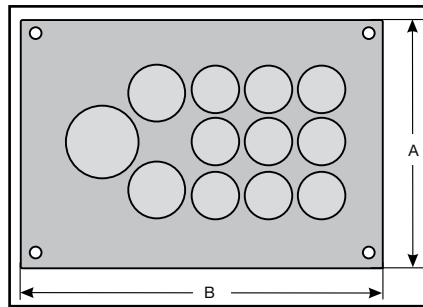
Cut-out code:  
105A

Efficient connection technology for terminal boxes and control cabinets for tool-free introduction of actuators, sensors, measuring and control instrumentation, optoelectronics, pneumatic lines and drive technology into a control panel. KDPs of the product group 105 fits into standard cut-outs for Rittal and Sarel cabinets when combined with . These adapter plates can be configured individually.

The stainless steel version is particularly suitable for application in the food and chemical areas.



KDP 105/12...



Type	Order no.	Colour	Openings total	Openings quantity / Ø	Material Plate	A mm	B mm	a mm	b mm	c mm	d mm	e mm	Pack qty.
KDP 105/12 ALU	87663056	RAL 7035	12	9 / 9.0 – 14.0 mm	AlMg3 (3.3535)	105.0	155.0	132.0	82.0	71.5	46.5	5.5	1
KDP 105/12 V4A	87663057	smoothed	12	2 / 12.0 – 18.0 mm 1 / 18.0 – 25.0 mm	V4A (1.4571)	105.0	155.0	132.0	82.0	71.5	46.5	5.5	1
KDP 105/15 ALU	87663014	RAL 7035	15	8 / 6.0 – 10.0 mm	AlMg3 (3.3535)	105.0	155.0	132.0	82.0	71.5	46.5	5.5	1
KDP 105/15 V4A	87663016	smoothed	15	4 / 9.0 – 14.0 mm 3 / 12.0 – 18.0 mm	V4A (1.4571)	105.0	155.0	132.0	82.0	71.5	46.5	5.5	1
KDP 105/32 ALU	87663010	RAL 7035	32	16 / 3.0 – 5.0 mm	AlMg3 (3.3535)	105.0	155.0	132.0	82.0	71.5	46.5	5.5	1
KDP 105/32 V4A	87663012	smoothed	32	12 / 4.0 – 8.0 mm 4 / 6.0 – 10.0 mm	V4A (1.4571)	105.0	155.0	132.0	82.0	71.5	46.5	5.5	1





# Cable entry plate KDP Metal

## Cable entry plate Metal Type 120 (120x190 mm)



-30 – 90 °C



Plate: see article  
Seal: NBR/EPDM

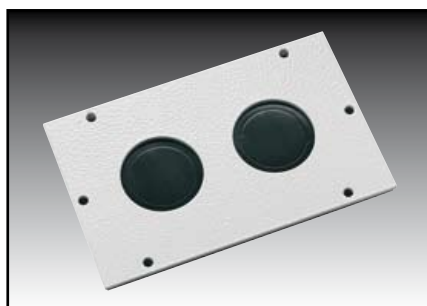


IP 65

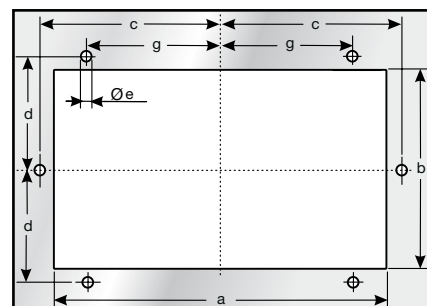
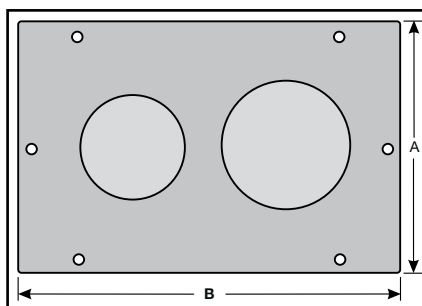


Cut-out code:  
120A

Tool-less, rational connection technology for the electrical power sector. Performance cables and services are sealed and fed into control cabinets or terminal boxes and are supported stably.



KDP 120/2...



Type	Order no.	Colour	Openings total	Openings quantity / Ø	Material Plate	A mm	B mm	a mm	b mm	c mm	d mm	e mm	g mm	Pack qty.
KDP 120/2 ALU	87663001	RAL 7035	2	2 / 18.0 – 36.0 mm	AlMg3 (3.3535)	120.0	190.0	164.0	94.0	88.0	53.0	5.5	65.0	1
KDP 120/2 B ALU	87663002	RAL 7035	2	2 / 36.0 – 49.0 mm	AlMg3 (3.3535)	120.0	190.0	164.0	94.0	88.0	53.0	5.5	65.0	1
KDP 120/2 C ALU	87663003	RAL 7035	2	1 / 18.0 – 36.0 mm 1 / 36.0 – 49.0 mm	AlMg3 (3.3535)	120.0	190.0	164.0	94.0	88.0	53.0	5.5	65.0	1
KDP 120/17 ALU	87663004	RAL 7035	17	6 / 6.0 – 10.0 mm 4 / 9.0 – 14.0 mm 3 / 12.0 – 18.0 mm 4 / 18.0 – 25.0 mm	AlMg3 (3.3535)	120.0	190.0	164.0	94.0	88.0	53.0	5.5	65.0	1
KDP 120/35 ALU	87663005	RAL 7035	35	8 / 3.5 – 6.5 mm 18 / 6.0 – 10.0 mm 7 / 9.6 – 15.9 mm 2 / 14.0 – 20.0 mm	AlMg3 (3.3535)	120.0	190.0	164.0	94.0	88.0	53.0	5.5	65.0	1





# Cable entry plate KDP Metal

## Cable entry plate Metal Type 149 (149x339 mm)



-30 – 90 °C



Plate: see article  
Seal: NBR/EPDM



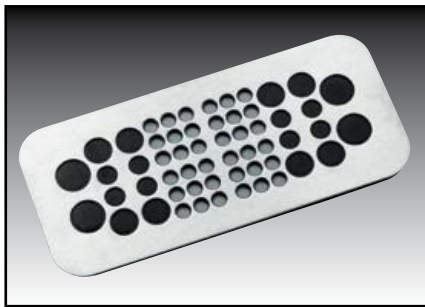
IP 65



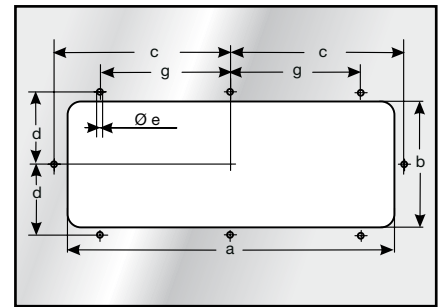
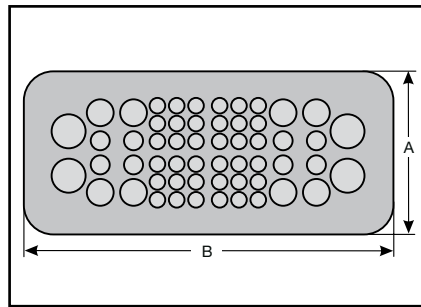
Cut-out code:  
149A

Efficient connection technology for terminal housings and control cabinets for tool-free introduction of actuators, sensors, measuring and control instrumentation, optoelectronics, pneumatic lines and drive technology into a control housing. KDPs of product group 149 can be fitted directly into the standard cut-outs of Rittal cabinets.

The stainless steel version is particularly suitable for application in the food and chemical areas. Integrated threaded bolts mean that no screws are visible from outside. Mounting set included in delivery.



KDP 149/56...







Type	Order no.	Colour	Openings total	Openings quantity / Ø	Material Plate	A mm	B mm	a mm	b mm	c mm	d mm	e mm	g mm	Pack qty.
KDP 149/56 V4A	87663086	smoothed	56	36 / 6.0 – 10.0 mm	V4A (1.4571)	149.0	339.0	303.0	115.0	161.5	66.5	5.0	120.0	1
				8 / 9.0 – 14.0 mm										
				8 / 14.0 – 18.0 mm										
				4 / 18.0 – 25.0 mm										
KDP 149/158 V4A	87663068	smoothed	158	126 / 3.5 – 6.2 mm	V4A (1.4571)	149.0	339.0	303.0	115.0	161.5	66.5	5.0	120.0	1
				24 / 6.0 – 10.0 mm										
				6 / 8.0 – 12.0 mm										
				2 / 12.0 – 18.0 mm										

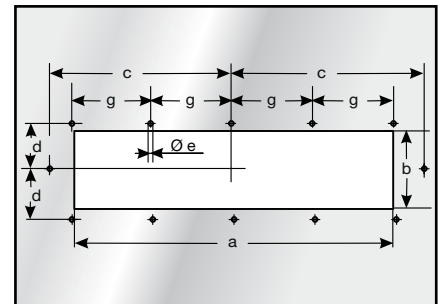
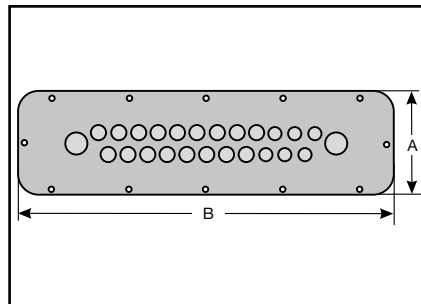
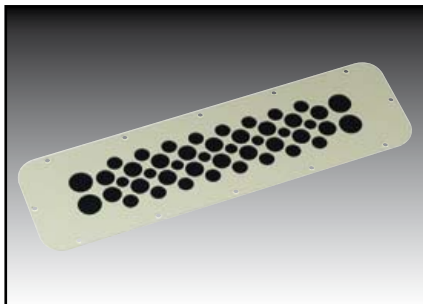


# Cable entry plate Metal Type 149 (149x534 mm)



-  -30 – 90 °C
-  Plate: see article  
Seal: NBR/EPDM
-  IP 65
-  Cut-out code:  
149B

Efficient connection technology for terminal housings and control cabinets for tool-free introduction of actuators, sensors, measuring and control instrumentation, optoelectronics, pneumatic lines and drive technology into a control housing. KDPs of product group 149 can be fitted directly into the standard cut-outs of Rittal cabinets.



KDP 149/46...

Type	Order no.	Colour	Openings total	Openings quantity / Ø	Material Plate	A mm	B mm	a mm	b mm	c mm	d mm	e mm	g mm	Pack qty.	
KDP 149/46 ALU	87663064	RAL 7035	46	8 / 6.0 – 10.0 mm	AlMg3 (3.3535)	149.0	534.0	432.0	102.0	259.0	66.5	4.0	110.0	1	
				16 / 10.0 – 14.0 mm											
				18 / 12.0 – 18.0 mm											
				4 / 18.0 – 25.0 mm											
KDP 149/140 V4A	87663088	smoothed	140	16 / 3.5 – 6.2 mm	V4A (1.4571)	149.0	534.0	500	115	259.0	66.5	5.0	110.0	1	
				64 / 4.5 – 8.5 mm											
				36 / 6.0 – 10.0 mm											
				4 / 8.0 – 12.0 mm											
				8 / 9.0 – 14.0 mm											
				8 / 14.0 – 18.0 mm											
4 / 18.0 – 25.0 mm															
KDP 149/292 V4A	87663066	smoothed	292	250 / 3.5 – 6.2 mm	V4A (1.4571)	149.0	534.0	500	115	259.0	66.5	5.0	110.0	1	
				32 / 6.0 – 10.0 mm											
				8 / 8.0 – 12.0 mm											
				2 / 12.0 – 18.0 mm											

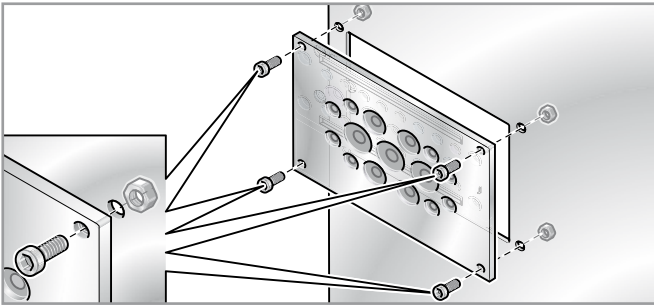




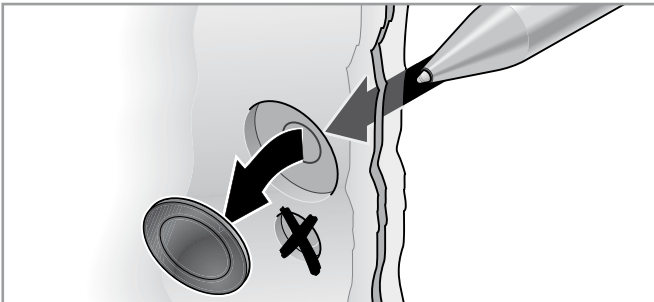


# Cable entry plate KDP Metal

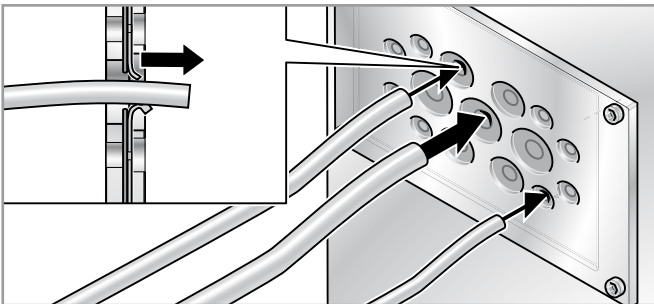
## Mounting screw-on mounting type KDP x/x ALU



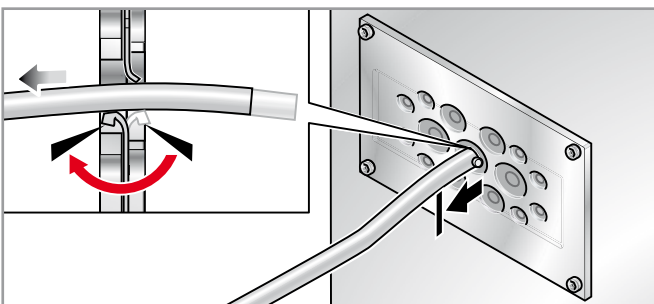
Set cable entry plate onto the cut-out and screw down.



Where necessary, remove the optional black cover from the locking plate. To do so, press the opening through from the rear until the cover falls out.

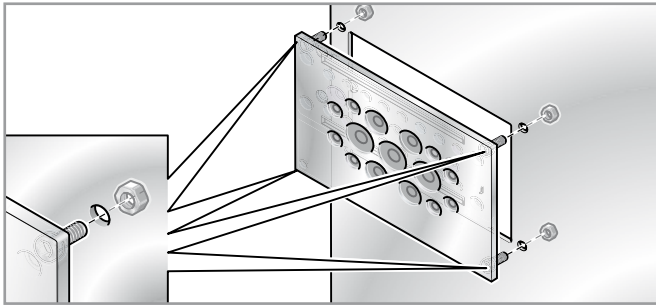


Select an opening appropriate for the cable diameter and push the cable through the opening from the front. The indicator becomes visible on the rear side. Pull cable through to desired length.

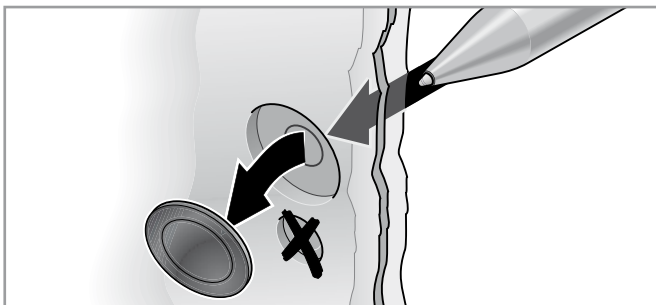


Retract cable approx. 10 – 15 mm until the indicator on the rear is no longer visible. Depending on cable diameter and insertion size, the indicator may well become visible on the front side again.

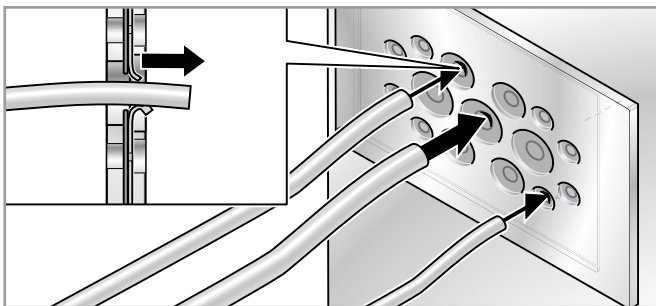
## Mounting screw-on mounting type KDP x/x V4A



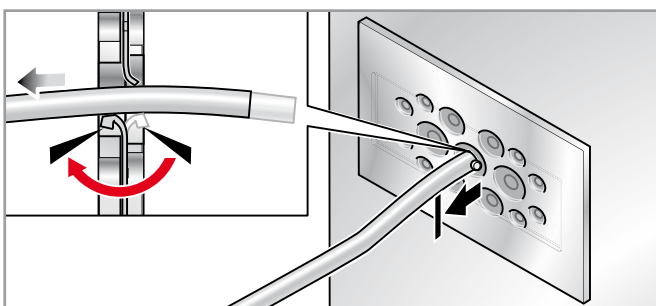
Set cable entry plate onto the cut-out and screw down from the rear.



Where necessary, remove the optional black cover from the locking plate. To do so, press the opening through from the rear until the cover falls out.



Select an opening appropriate for the cable diameter and push the cable through the opening from the front. The indicator becomes visible on the rear side. Pull cable through to desired length.



Retract cable approx. 10 – 15 mm until the indicator on the rear is no longer visible. Depending on cable diameter and insertion size, the indicator may well become visible on the front side again.



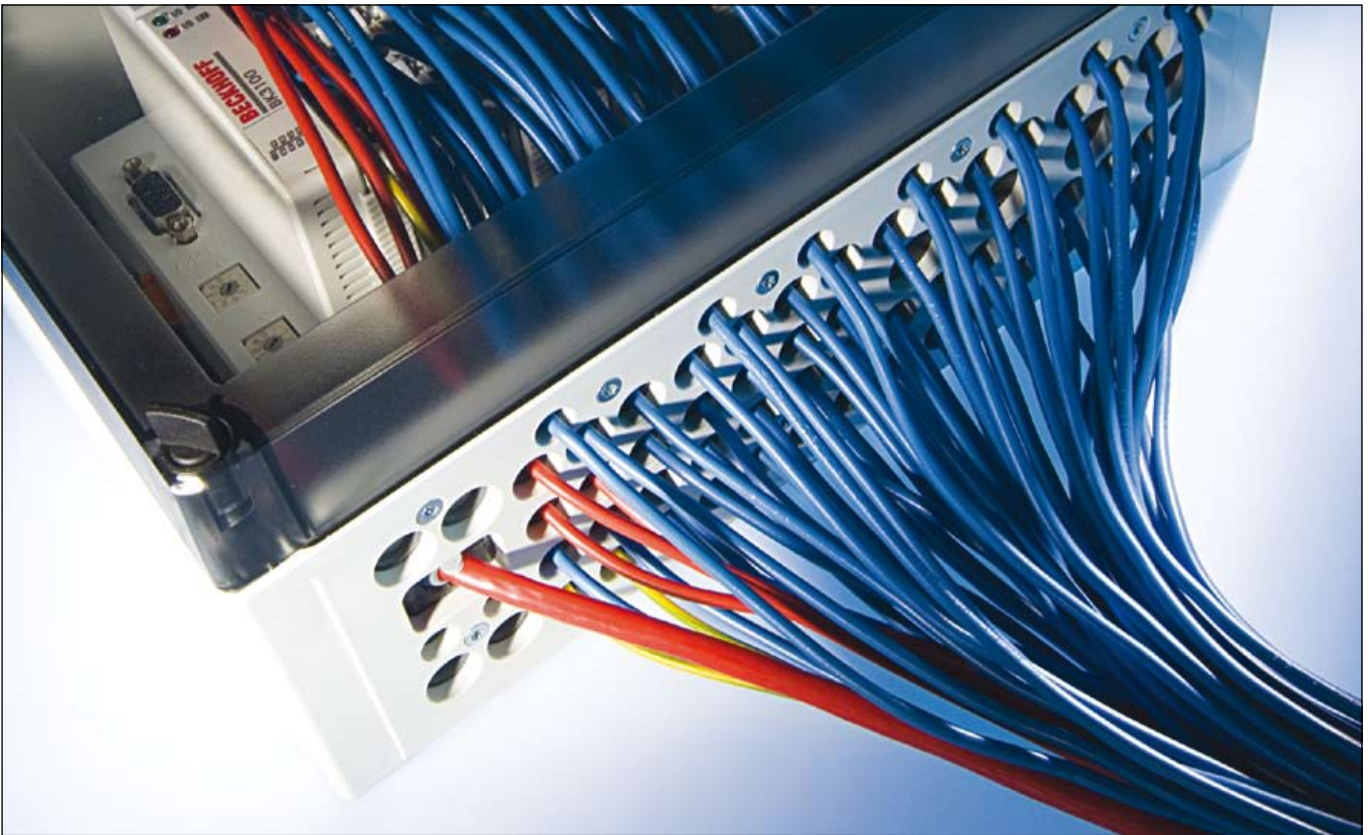
**Cable entry plate KDP/BG-FB  
plastic bus enclosure**





# Cable entry plate KDP/BG-FB plastic bus enclosure

## Advantages



## All inclusive

This fully integrated enclosure has everything you'll need.

Self-extinguishing enclosure with integrated cable entry system and pre-mounted top hat rail.

Ideal for installation of bus terminal block.

Indicator lights remain visible from outside even when cover is closed. This enables disruptions to be recognised quickly.



- ✓ Fully integrated enclosure
- ✓ Integrated cable entry plate
- ✓ Integrated top hat rail
- ✓ High protection class
- ✓ Transparent cover
- ✓ Quick installation

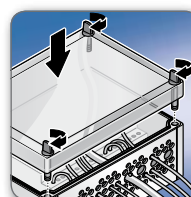
## Overview



### **Cable entry plate KDP plastic bus enclosure**

Bus enclosure with integrated cable entry plate. Ideal for applications with WAGO or Beckhoff I/O clamps. With an integrated top hat rail and cable entry plate.

**Page 121**



### **Assembly and configuration of the KDP plastic bus enclosure**

Detailed configuration and assembly instructions on cable entry plates and bus enclosures.

**Page 122**



# Cable entry plate KDP/BG-FB plastic bus enclosure

## Selection table KDP/BG-FB (possible combinations of cable entries)



The cable entry plate KDP plastic bus enclosure is a complete bus enclosure with an integrated cable entry plate, preinstalled support bar TS 35x15 (EN 50022-35) and transparent cover. The bus enclosure is supplied ready for installation, thereby effectively reducing costs. Ideal for applications with WAGO, Murrelektronik or Beckhoff I/O modules. Indicator lights remain visible even when cover is closed. Protection class IP 65.

### Number of openings on the cable entry plate corresponds to cable diameter

Ø mm 3.0–5.0	Ø mm 3.0–6.2	Ø mm 4.0–8.0	Ø mm 7.0–11.5	Ethernet RJ45
9	52	4	4	1



**BG-FB KDP 70**  
Item no. 87663008

## Material data for the cable entry plate plastic bus enclosure

- Halogen-free**
- Phosphorous-free**
- Cadmium-free**
- Asbestos-free**
- Lead-free**
- Silicone-free**



The type BG-FB KDP 70 complies with ROHS and features IP class 65. It is also free of halogen, phosphorous, cadmium, asbestos, lead and silicone. It can be used within a temperature range of -30 to 90 °C.

The cable entry plate plastic bus enclosure is inspected according to fire protection V0. It is made of polycarbonate and the sealant is made of NBR/EPDM.



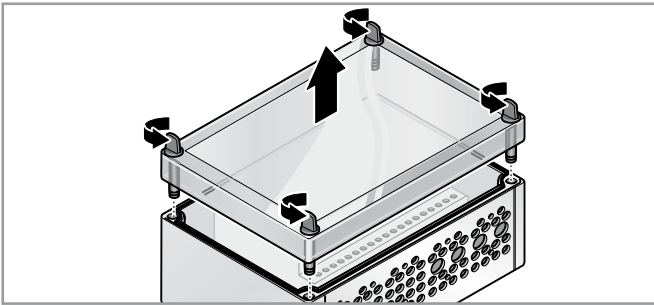




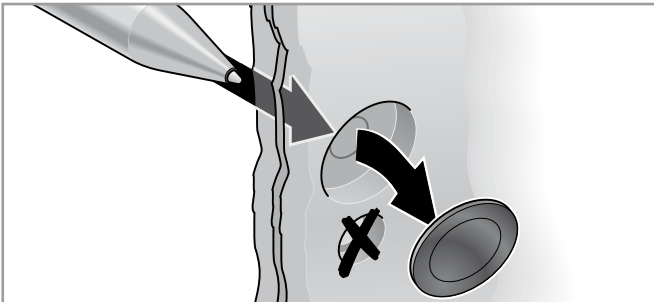


# Cable entry plate KDP/BG-FB plastic bus enclosure

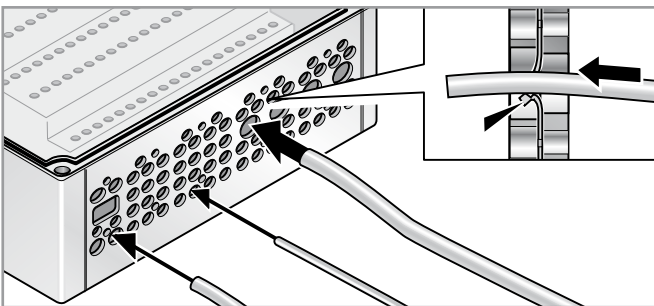
## Configuration and mounting of cable entry plate KDP/BG-FB



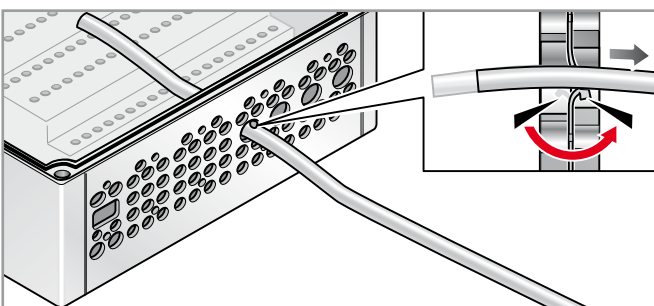
Release cover seals and lift housing cover.



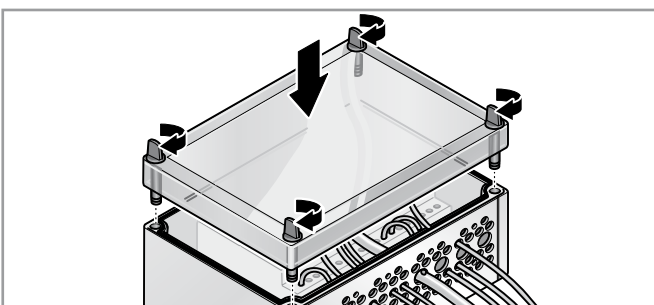
Where necessary, remove the optional black cover from the locking plate. To do so, press the opening through from the rear until the cover falls out.



Select an opening appropriate for the cable diameter and push the cable through the opening from the front. The indicator becomes visible on the rear side. Pull cable through to desired length.

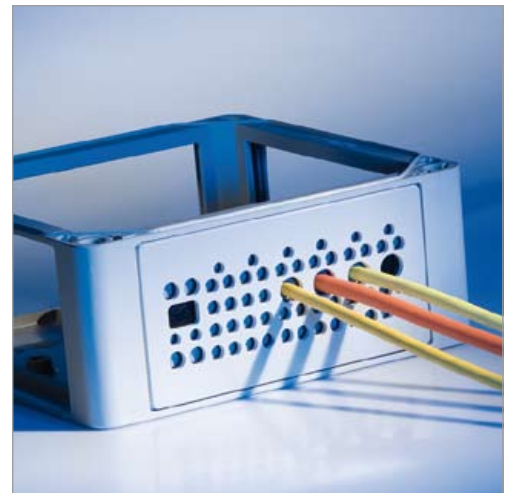
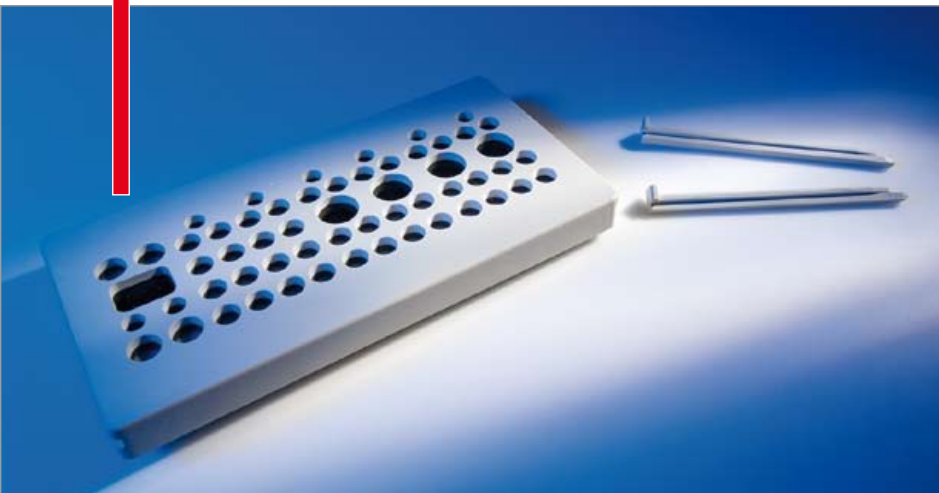


Retract cable approx. 10 – 15 mm until the indicator on the rear is no longer visible. Depending on cable diameter and insertion size, the indicator may well become visible on the front side again.



Following successful installation of all elements, replace cover on top and latch down.

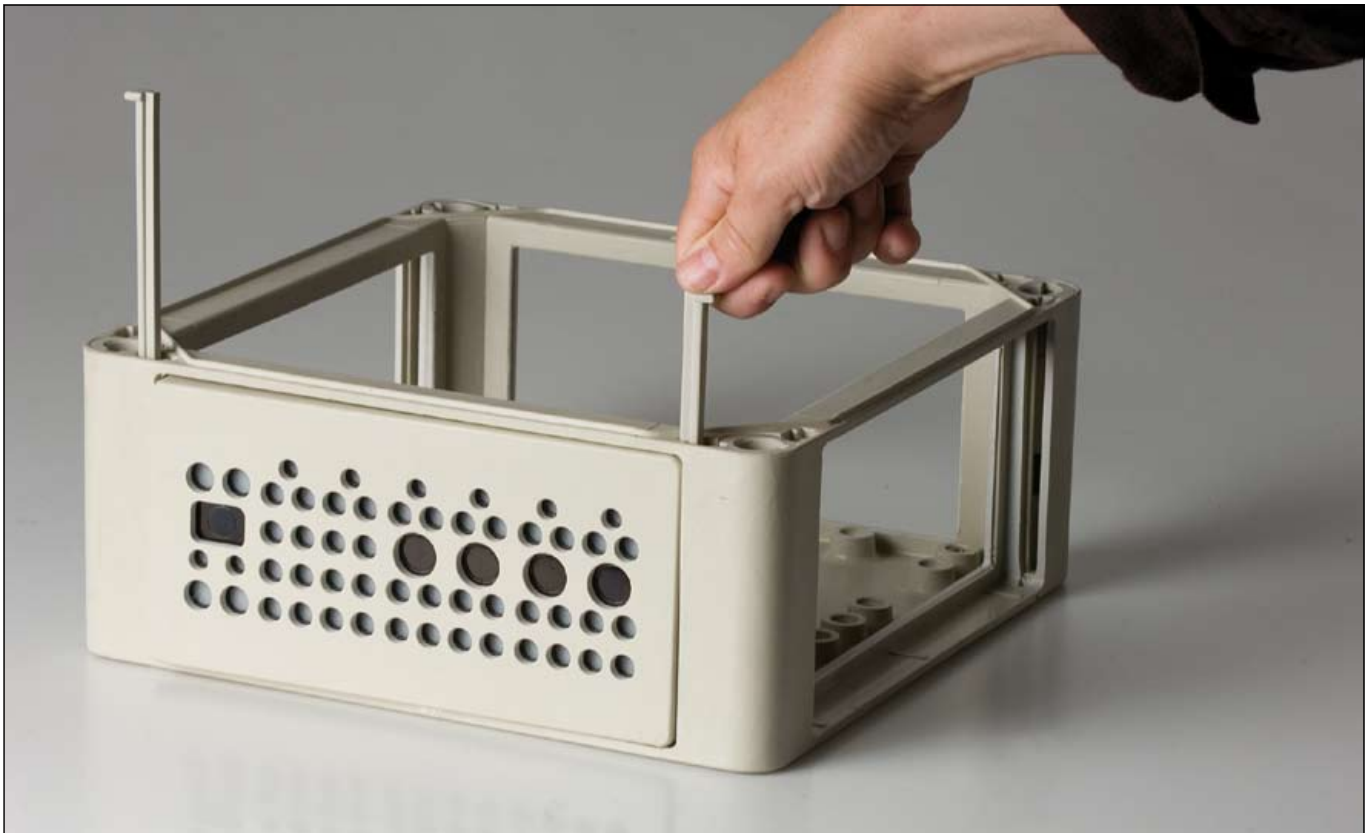
**Cable entry plate KDP plastic  
for Rose enclosure**





## Cable entry plate KDP plastic, Rose enclosure

### Advantages



## Straight in! Even in Rose enclosure!

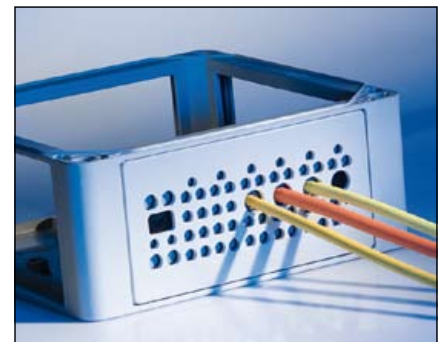
Install electric cable and pneumatic conduits with minimal effort, saving time and money.

The KDP cable entry system is ideal if space is at a premium.

The cable entry plate KDP-BG for Rose enclosure can be fixed directly onto the housing with the two supplied flange wedges.

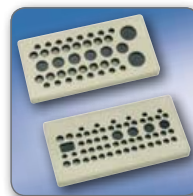
The pre-fabricated cut-outs are easy to insert individually, even without tools.

The principle is absolutely identical to our tried-and-true plastic KDP/N 24 (rectangular).



- ✓ Assembly without tools
- ✓ Huge time savings
- ✓ Cost reductions
- ✓ High protection class
- ✓ Variable
- ✓ Designed for Rose enclosure

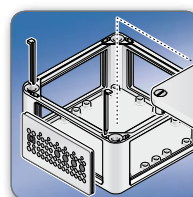
## Overview



### **Cable entry plate KDP type rose**

Cable entry plate for installation in Rose polyester flange housing PG14. Very quick, tool-free mounting with 2 flange wedges.

**Page 127**



### **Configuration and assembly of the KDP type Rose**

Detailed configuration and assembly instructions on cable entry plates and bus enclosures.

**Page 128**



## Cable entry plate Metal, type KDP/BG Rose

RoHS  
compliant



-30 – 90 °C



GFK Polyester  
NBR/EPDM



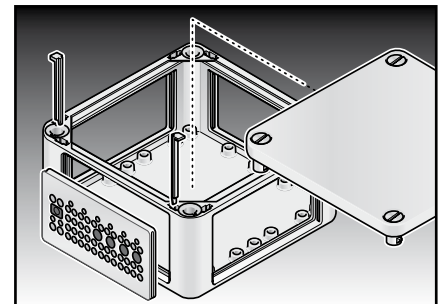
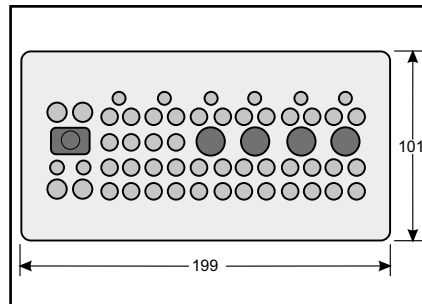
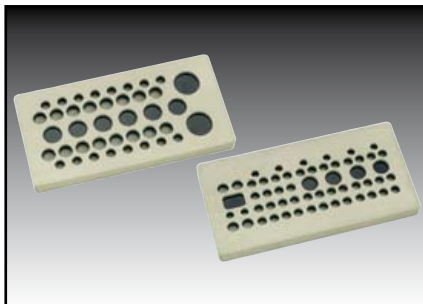
Enclosure: V0



IP 65

Cable entry plate for installation in Rose polyester flange housing PG14.  
Very quick, tool free mounting with 2 flange wedges.

- Tool-free assembly
- High protection class IP65
- Flange wedges (2 pieces) included with delivery
- Suited for electric and pneumatic installations
- Casing not included with delivery

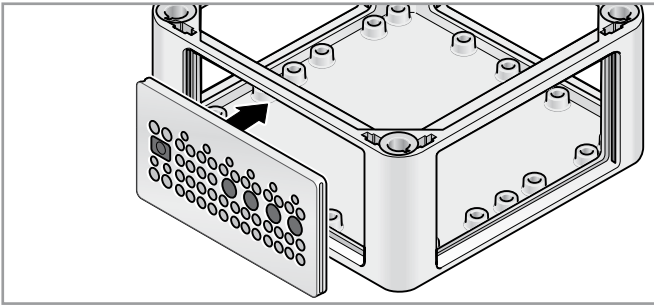


Type	Order no.	Colour	Openings total	Openings quantity / Ø	Pack qty.
KDP-BG 40 Rose	87663098	grey	40	16 / 3.5 – 6.5 mm	1
				16 / 6.0 – 10.0 mm	
				6 / 9.0 – 14.0 mm	
				2 / 14.0 – 20.0 mm	
KDP-BG 56+1 Rose	87663099	grey	57	8 / 3.0 – 5.0 mm	1
				40 / 3.5 – 6.5 mm	
				4 / 4.5 – 8.5 mm	
				4 / 8.0 – 12.0 mm	
				1 / Ethernet RJ45	
Matches polyester flange housing from Rose Systemtechnik					
Version with polyester cover					
170 x 270 x 135 with 2 flange openings	14.010000				
270 x 270 x 135 with 4 flange openings	14.020000				
270 x 540 x 135 with 6 flange openings	14.030000				
Version with clear polycarbonate cover					
170 x 270 x 150 with 2 flange openings	14.010001				
270 x 270 x 150 with 4 flange openings	14.020001				
270 x 540 x 150 with 6 flange openings	14.030001				

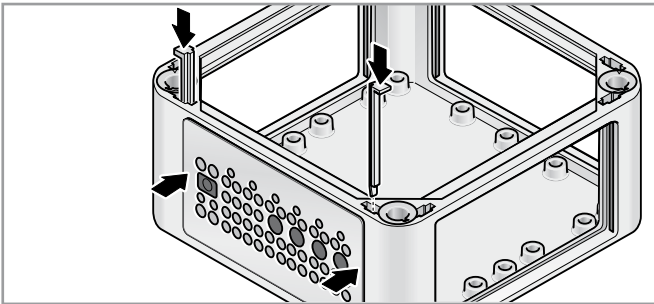


# Cable entry plate KDP Rose enclosure, plastic

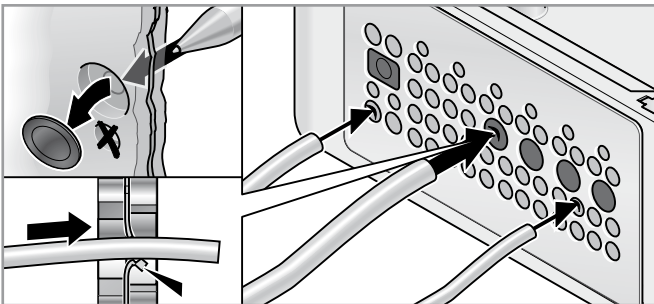
## Configuration and mounting of cable entry plate KDP/BG Rose



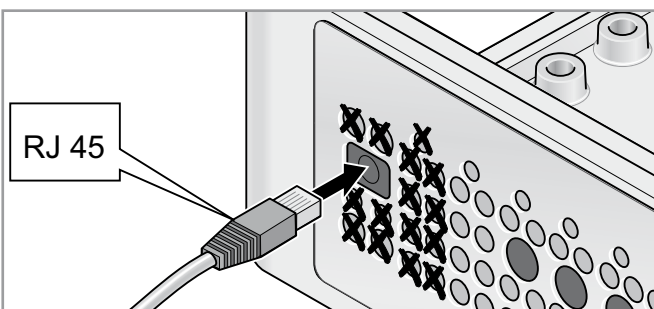
Set cable entry plate into the enclosure.



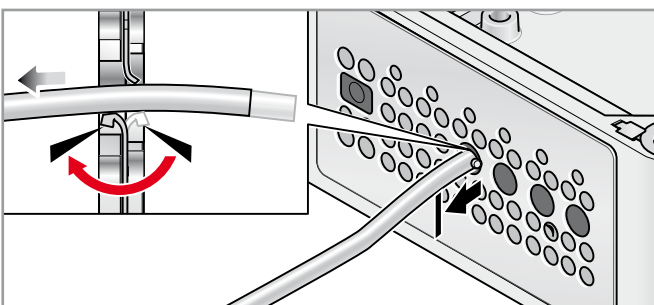
Press on the cable entry plate and press the flange wedges in until stopping point.



Where necessary, remove the optional black cover from the locking plate. To do so, press the opening through from the rear until the cover falls out. Select an opening appropriate for the cable diameter and push the cable through the opening from the front. The indicator becomes visible on the rear side. Pull cable through to desired length.



Insertion of a cable with a RJ45 plug is only possible at one position. Push cable with plug through the entry from the front. The indicator becomes visible on the rear side. Pull cable through to desired length.



Retract cable approx. 10 – 15 mm until the indicator on the rear is no longer visible. Depending on cable diameter and insertion size, the indicator may well become visible on the front side again.