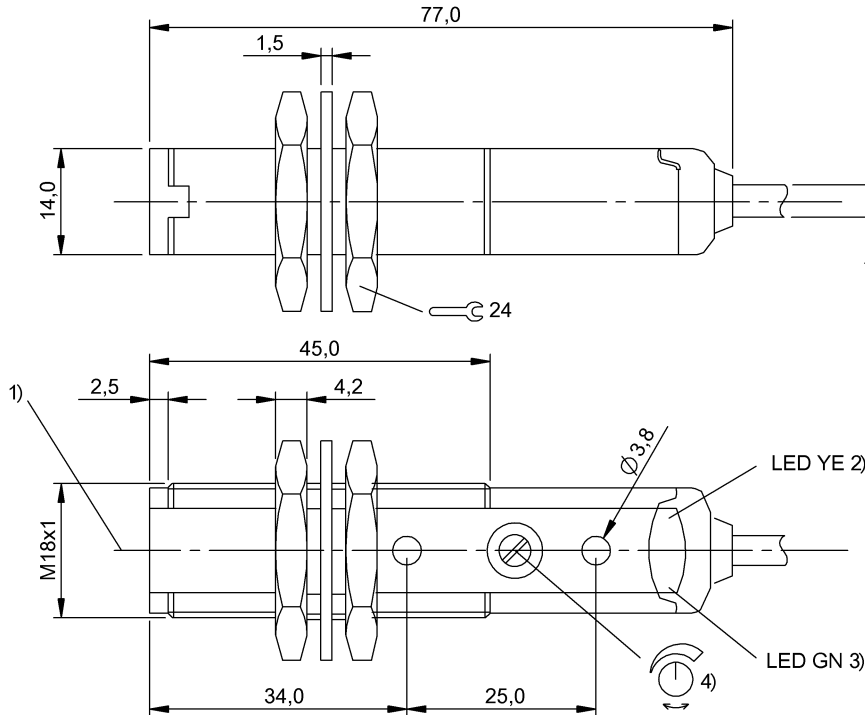
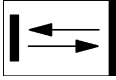


BOS 18KF-PA-1PD-C-02
Ordering code: BOS00JY

Diffuse sensor
 Series 18KF
 Working range: bis 400 mm

PNP (2x), NO-NC
 Infrared
 DC, direct current

BALLUFF
 sensors worldwide



1) Optical axis, 2) Output function, 3) Stability, 4) Sn

Characteristic data

Degree of protection as per IEC 60529	IP67
Protection class	II
Short-circuit protected	yes
Protected against polarity reversal	yes
Indicator	Stability - LED GN
Setting	Switching distance (Sn)
Adjuster	Potentiometer 270° (1x)
Switching freq. f max.	1000 Hz

Optical data

Principle of optical operation	Light scanner, energetic
Switching function, optical	NO light-on - NC dark-on
Light type	Infrared
Wavelength	880 nm
Ambient light max.	5,000 Lux

Electrical data

Operating voltage	10...30 V DC
Rated operating voltage Ue DC	24 V
Effective operating current Ie	100 mA
Rated insulation voltage Ui	75 V DC
Ripple max. (% of Ue)	8 %

Switching output	PNP (2x)
Switching function	NO-NC
Turn-off delay toff max.	0,5 ms
Turn-on delay ton max.	0,5 ms
No-load current max. Io at Ue	35 mA
Voltage drop Ud max. (at Ie)	2 V

Mechanical data

Number of conductors	4
Cable length	2 m
Conductor cross-section	0.14 mm ²
Eff. switching distance Sr	400 mm
Shock rating	Half-sinus, 30gn, 11ms, 3x6
Vibration rating	10-55 Hz, 0.5mm ampl., 3x30min
Ambient temperature	-25...55 °C
Sensing surface material	PMMA
Housing material	PBT
Cable jacket material	PVC
Cable diameter D max.	4 mm
Mounting type	Nut M18x1 Screw M3

Design	Flat cylinder, straight optics
Capture range Sd	0...400 mm
Beam characteristic	Divergent

BOS 18KF-PA-1PD-C-02
Ordering code: BOS00JY

Diffuse sensor
Series 18KF
Working range: bis 400 mm

PNP (2x), NO-NC
Infrared
DC, direct current

BALLUFF
sensors worldwide

Range S_n Sn = 400 mm, adjustable
Minimum operating distance 0 mm

Basic data

Connection Cable, 2m, PVC
Basic standard IEC 60947-5-2

The sensor is functional again after the overload has been eliminated.
Reference object (target): Gray card, 200 x 200, 90 % remission, axial approach.

For additional information, refer to user's guide.
Order accessories separately.

