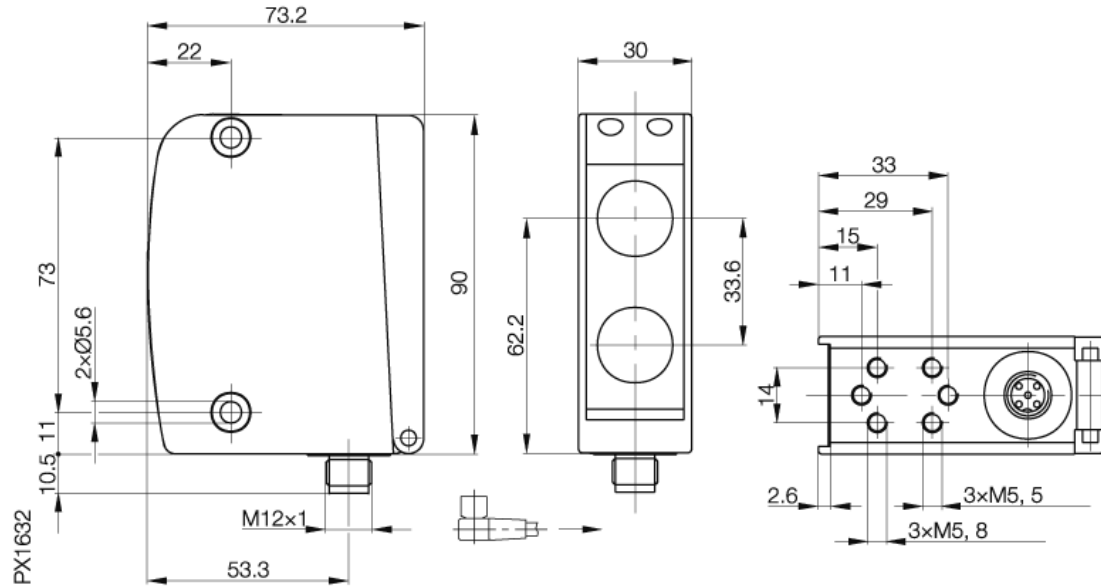


**BOD 66M-RB01-S92-C**  
**Photoelectric Sensors**  
**Distance Sensors**

PNP

**BALLUFF**  
*sensors worldwide*



**Electrical data:**

Connection	Connector M12, 5-pin
Rated supply frequency	DC
Switching element function	light-on
Off Time delay	100 ms
On Time delay	100 ms
Operating current	250 mA
Output signal	4...20 mA
Time delay before available	300 ms
Switching output	PNP
Operating frequency (f)	20...100 Hz
Current Consumption I <sub>o</sub> max. (No Load)	150 mA
Supply voltage min.	18 V
Supply voltage max.	30 V
Voltage ripple max.	15%
Voltage drop U <sub>d</sub> max. at I <sub>e</sub>	2 V

**Mechanical data:**

Temperature drift max.	0.2 mm/°C
Sensing face material	Glass
Housing material	Aluminium alloy
Repeat accuracy (R)	±0,5
Operating Distance Adjustment	Teach-in
Resolution max.	0.5 mm
absolute measuring accuracy	±2% (on sensing distance) %
Effective working dist. min.	100 mm
Effective working dist. max.	600 mm
Measuring range max.	500 mm
Ambient temperature max.	+50 °C
Ambient temperature min.	-20 °C
weight	250 g

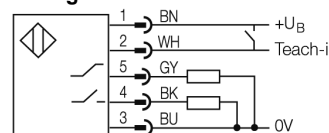
**General data:**

Supply voltage indication	yes
Function indication	yes, yellow LED
Short circuit protected	yes
Degree of protection IP	IP 65
Protected against polarity reversal	yes
Type	Distance sensor

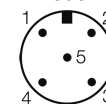
**Optical data:**

Emitter Light Source	LED red
Wavelength of Emitted Light	660 nm
Beam width	ca. 10 mm
Permissible ambient light	5000 Lux
Grey shift max. (90%/18% Reflectivity)	1 %

**Wiring:**



**Pinout:**



[www.balluff.com](http://www.balluff.com)

Balluff Europe: +49 7158 173 -0  
 Balluff USA: 1-800-54 3-83 90  
 Balluff Asia: +86 21-50 64 41 31

Online Productinformation  
 2008-05-28