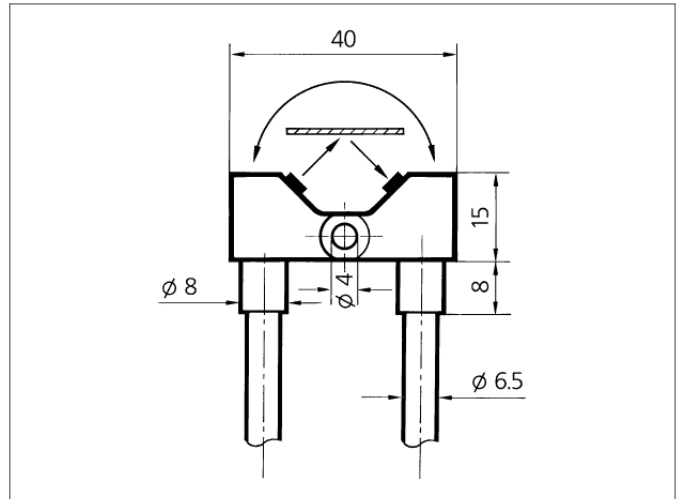
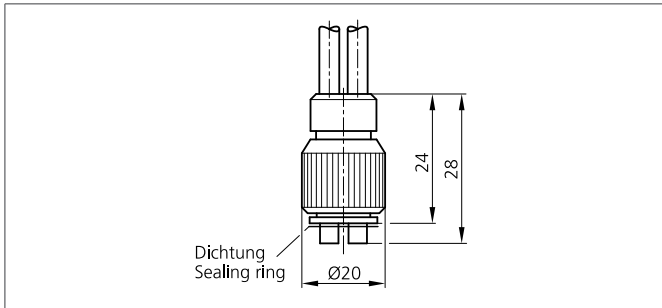
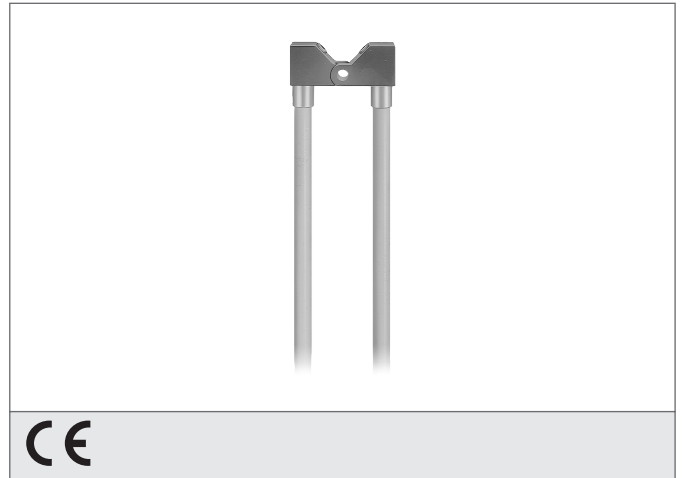


# WRB 220 SW

## Glass Fibre-optic Cable

- High-quality glass fibres
- Resistant to high temperature
- Robust, highly flexible
- Special types



### Safety instructions

The Instruments are not to be used for safety applications, in particular applications in which safety of persons depends on proper operation of the instruments. These instruments shall exclusively be used by qualified personnel. Repair only by di-soric.

TECHNICAL INFORMATION		+20°C, 24V DC
Operating principle		Diffuse reflective sensor
Length		600 mm
Temperature resistance		-40 ... + 180 °C
Operating distance		10 - 100 mm
Protection class		IP 67
For		Fibre-optic amplifiers
Casing material		Aluminium
Material		Silicone-metal sleeve (Cladding)