



Continuous transmission security  
and data transparency

# RFID SYSTEM UHF (860/960 MHz) BIS U



The BIS U UHF systems from Balluff ensure data transparency and traceability of your automation processes. UHF is a standard technology for identification solutions covering all processes. They help to achieve fast detection of tag information and continuous transmission security. By querying decentrally stored product- and process-data, UHF is a central component of traceability applications. Our UHF BIS U systems provide permanent data transparency in your entire delivery chain.

#### Features

- Problem-free integration in applications via globally used standard interfaces
- Corresponds to the global standard ISO 18000-6C and EPC Gen2 Class1
- Flexible use due to a wide range of different combinations of data carriers and antennas
- Ranges up to 6 m and more
- Bulk capture for simultaneous scanning of many data carriers (tags)
- Suitable for attachment to traditional control systems via bus interfaces and higher level IT systems
- Complete tailored system solutions realizable
- Many accessories for integration into a variety of applications



Europe: 865-868 MHz		<b>BISO13P</b> BIS U-142-06/CA-M8-GY	
America/Asia: 902-928 MHz	<b>BISO178</b> BIS U-142-A0/C1M-GY		
worldwide: 860-960 MHz			
Product Group	UHF (860...960 MHz)	UHF (860...960 MHz)	
Working frequency	902...928 MHz	865...868 MHz	
Dimension	Ø 17.2 x 14 mm	Ø 22 x 26 mm	
Memory type	EEPROM	EEPROM	
User data, read/write	512 Bit	512 Bit	
EPC memory, read/write	96 Bit	96 Bit	
TID memory, read-only	64 Bit	64 Bit	
Antenna type	Dipol	Dipol	
Installation	on metal	on metal	
Storage temperature	-25...95 °C	-25...95 °C	
Storage temperature temporary	—	—	
Ambient temperature	-25...85 °C	-25...85 °C	
Housing material	PA 12, GF30	Steel, data carrier: PA 12-GF30 gray	
Protection degree	IP68	IP68	
Approval/Conformity	CE	CE	
Productview	Page 28	Page 28	



		<b>BIS00NL</b> BIS U-100-01/CA		
	<b>BIS013R</b> BIS U-142-07/CA-M8-GY		<b>BIS00RC</b> BIS U-100-02/CA	
				<b>BIS00WH</b> BIS U-101-04/CA
	UHF (860...960 MHz)	UHF (860...960 MHz)	UHF (860...960 MHz)	UHF (860...960 MHz)
	902...928 MHz	840...960 MHz	840...960 MHz	860...960 MHz
	Ø 22 x 26 mm	37.2 x 7 x 127 mm	37.2 x 7 x 127 mm	51.5 x 6.4 x 51.5 mm
	EEPROM	EEPROM	EEPROM	EEPROM
	512 Bit	512 Bit	512 Bit	512 Bit
	96 Bit	96 Bit	96 Bit	240 Bit
	64 Bit	64 Bit	64 Bit	64 Bit
	Dipol	Dipol	Dipol	Dipol
	on metal	metal-free (clear zone)	metal-free (clear zone)	metal-free (clear zone)
	-25...95 °C	-40...85 °C	-40...85 °C	-40...85 °C
	—	—	—	—
	-25...85 °C	-40...85 °C	-40...85 °C	-20...85 °C
	Steel, data carrier: PA 12-GF30 gray	PA 12, GF30	PA 12, GF30	ABS
	IP68	IP67	IP67	IP68
	CE	CE	CE	CE
	Page 28	Page 28	Page 28	Page 28



Europe: 865-868 MHz		<b>BIS016N</b> BIS U-104-A0/COM	
America/Asia: 902-928 MHz			
worldwide: 860-960 MHz	<b>BIS00WE</b> BIS U-102-05/CA		
Product Group	UHF (860...960 MHz)	UHF (860...960 MHz)	
Working frequency	860...960 MHz	866...868 MHz	
Dimension	52 x 11.5 x 128 mm	6.1 x 2.6 x 8.6 mm	
Memory type	EEPROM	EEPROM	
User data, read/write	512 Bit	512 Bit	
EPC memory, read/write	240 Bit	96 Bit	
TID memory, read-only	64 Bit	64 Bit	
Antenna type	Dipol	Dipol	
Installation	metal-free (clear zone)	on metal	
Storage temperature	-40...85 °C	-20...85 °C	
Storage temperature temporary	—	—	
Ambient temperature	-20...85 °C	-20...85 °C	
Housing material	ABS	Oxide ceramics	
Protection degree	IP68	IP68	
Approval/Conformity	CE	CE, RoHS	
Productview	Page 28	Page 28	



	<b>BIS016P</b> BIS U-104-A0/C1M	<b>BIS016R</b> BIS U-105-A0/COM	<b>BIS016T</b> BIS U-105-A0/C1M	
	UHF (860...960 MHz)	UHF (860...960 MHz)	UHF (860...960 MHz)	
	902...928 MHz	866...868 MHz	902...928 MHz	
	6.1 x 2.6 x 8.6 mm	7.1 x 3.1 x 13.1 mm	7.1 x 3.1 x 13.1 mm	
	EEPROM	EEPROM	EEPROM	
	512 Bit	512 Bit	512 Bit	
	96 Bit	96 Bit	96 Bit	
	64 Bit	64 Bit	64 Bit	
	Dipol	Dipol	Dipol	
	on metal	on metal	on metal	
	-20...85 °C	-20...85 °C	-20...85 °C	
	—	—	—	
	-20...85 °C	-20...85 °C	-20...85 °C	
	Oxide ceramics	Oxide ceramics	Oxide ceramics	
	IP68	IP68	IP68	
	CE, RoHS	CE, RoHS	CE, RoHS	
	Page 28	Page 28	Page 28	



Europe: 865-868 MHz	<b>BISO16Y</b> BIS U-106-A0/COM		
America/Asia: 902-928 MHz		<b>BISO16Z</b> BIS U-106-A0/C1M	
worldwide: 860-960 MHz			
Product Group	UHF (860...960 MHz)	UHF (860...960 MHz)	
Working frequency	866...868 MHz	902...928 MHz	
Dimension	9.75 x 3.6 x 63 mm	9.75 x 3.6 x 63 mm	
Memory type	EEPROM	EEPROM	
User data, read/write	512 Bit	512 Bit	
EPC memory, read/write	96 Bit	96 Bit	
TID memory, read-only	64 Bit	64 Bit	
Antenna type	Dipol	Dipol	
Installation	on metal	on metal	
Storage temperature	-40...105 °C	-40...105 °C	
Storage temperature temporary	—	—	
Ambient temperature	-40...85 °C	-40...85 °C	
Housing material	Thermoplast Plastic	Thermoplast Plastic	
Protection degree	IP68	IP68	
Approval/Conformity	CE, RoHS	CE, RoHS	
Productview	Page 28	Page 28	



BISO170 BIS U-107-A0/COM			
	<b>BISO171</b> BIS U-107-A0/C1M		
		<b>BISO174</b> BIS U-103-M2/CAM	<b>BISO172</b> BIS U-108-M2/CAM
UHF (860...960 MHz)	UHF (860...960 MHz)	UHF (860...960 MHz)	UHF (860...960 MHz)
865...868 MHz	902...928 MHz	860...940 MHz	860...940 MHz
38 x 9.5 x 48.5 mm	38 x 9.5 x 48.5 mm	25 x 12.85 x 110 mm	15 x 12.5 x 80 mm
EEPROM	EEPROM	EEPROM	EEPROM
512 Bit	512 Bit	512 Bit	512 Bit
96 Bit	96 Bit	128 Bit	128 Bit
64 Bit	64 Bit	96 Bit	96 Bit
Dipol	Dipol	Dipol	Dipol
on metal	on metal	on metal	on metal
-40...85 °C	-40...85 °C	-40...85 °C	-40...85 °C
—	—	—	—
-40...85 °C	-40...85 °C	-40...85 °C	-40...85 °C
Thermoplast Plastic	Thermoplast Plastic	ABS	ABS
IP68	IP68	IP68	IP68
CE, RoHS	CE, RoHS	CE, RoHS	CE, RoHS
Page 29	Page 29	Page 29	Page 29





Europe: 865-868 MHz			
America/Asia: 902-928 MHz			
worldwide: 860-960 MHz	<b>BISO173</b> BIS U-109-M2/CAM	<b>BISO18F</b> BIS U-112-M4/CAA	
Product Group	UHF (860...960 MHz)	UHF (860...960 MHz)	
Working frequency	860...930 MHz	860...960 MHz	
Dimension	48 x 12.6 x 51 mm	29.3 x 19.2 x 66.2 mm	
Memory type	EEPROM	EEPROM	
User data, read/write	512 Bit	0 Bit	
EPC memory, read/write	128 Bit	96 Bit	
TID memory, read-only	96 Bit	48 Bit	
Antenna type	Dipol	Dipol	
Installation	on metal	metal-free (clear zone)	
Storage temperature	-40...85 °C	-40...85 °C	
Storage temperature temporary	—	—	
Ambient temperature	-40...85 °C	-40...85 °C	
Housing material	ABS	PVDF, PA 12, GF30	
Protection degree	IP68	IP67	
Approval/Conformity	CE, RoHS	CE	
Productview	Page 29	Page 29	



			<b>BIS016K</b> BIS U-110-A0/C0A	
				<b>BIS016L</b> BIS U-110-A0/C1A
	<b>BIS018H</b> BIS U-113-M4/CAA	<b>BIS00U4</b> BIS U-100-01/CA-SA1		
	UHF (860...960 MHz)	UHF (860...960 MHz)	UHF (860...960 MHz)	UHF (860...960 MHz)
	860...960 MHz	840...960 MHz	865...868 MHz	902...928 MHz
	38.1 x 19 x 51.3 mm	37.4 x 24.8 x 130.2 mm	12 x 1.6 x 60 mm	12 x 1.6 x 60 mm
	EEPROM	EEPROM	EEPROM	EEPROM
	0 Bit	512 Bit	512 Bit	512 Bit
	96 Bit	96 Bit	96 Bit	96 Bit
	48 Bit	64 Bit	64 Bit	64 Bit
	Dipol	Dipol	Dipol	Dipol
	metal-free (clear zone)	on metal	metal-free (clear zone)	metal-free (clear zone)
	-40...85 °C	-40...85 °C	-40...55 °C	-40...55 °C
	—	—	—	—
	-40...85 °C	-40...85 °C	-20...55 °C	-20...55 °C
	PVDF, PA 12, GF30	PA 12, GF30	Silicone	Silicone
	IP67	IP67	IP68	IP68
	CE	CE	CE	CE
	Page 29	Page 29	Page 29	Page 29



Europe: 865-868 MHz	<b>BISO16U</b> BIS U-180-A0/COM		
America/Asia: 902-928 MHz		<b>BISO16W</b> BIS U-180-A0/C1M	
worldwide: 860-960 MHz			
Product Group	UHF (860...960 MHz)	UHF (860...960 MHz)	
Working frequency	866...868 MHz	902...928 MHz	
Dimension	5.95 x 1.3 x 57.1 mm	5.95 x 1.3 x 57.1 mm	
Memory type	EEPROM	EEPROM	
User data, read/write	512 Bit	512 Bit	
EPC memory, read/write	96 Bit	96 Bit	
TID memory, read-only	64 Bit	64 Bit	
Antenna type	Dipol	Dipol	
Installation	on metal	on metal	
Storage temperature	-40...120 °C	-40...120 °C	
Storage temperature temporary	—	—	
Ambient temperature	-40...85 °C	-40...85 °C	
Housing material	Epoxy resin-glass fiber, flame-retardant	Epoxy resin-glass fiber, flame-retardant	
Protection degree	IP68	IP68	
Approval/Conformity	CE, RoHS	CE, RoHS	
Productview	Page 30	Page 30	



	<b>BIS016M</b> BIS U-111-M2/CAA	<b>BIS00WF</b> BIS U-101-04/CA-HT	<b>BIS00WC</b> BIS U-102-05/CA-HT	<b>BIS0163</b> BIS U-150-N4/CAA
	UHF (860...960 MHz)	UHF (860...960 MHz)	UHF (860...960 MHz)	UHF (860...960 MHz)
	860...960 MHz	860...960 MHz	860...960 MHz	860...960 MHz
	54 x 0.84 x 85.7 mm	51.5 x 6.4 x 51.5 mm	52 x 11.5 x 128 mm	20 x 44.45 mm
	EEPROM	EEPROM	EEPROM	EEPROM
	512 Bit	512 Bit	512 Bit	0 Bit
	128 Bit	240 Bit	240 Bit	128 Bit
	96 Bit	64 Bit	64 Bit	64 Bit
	Dipol	Dipol	Dipol	Dipol
	metal-free (clear zone)	metal-free (clear zone)	metal-free (clear zone)	metal-free (clear zone)
	-25...50 °C	-40...85 °C	-40...85 °C	-20...80 °C
	—	220 °C 1 x 1000 h, 1500 x 30 min	220 °C 1 x 1000 h, 1500 x 30 min	—
	-25...50 °C	-40...85 °C	-40...85 °C	-20...80 °C
	PVC	PPS	PPS	Paper
	IP68	IP68	IP68	—
	CE	CE	CE	CE
	Page 30	Page 28	Page 28	Page 30



Europe: 865-868 MHz			
America/Asia: 902-928 MHz			
worldwide: 860-960 MHz	<b>BISO165</b> BIS U-152-M3/CAA	<b>BISO166</b> BIS U-153-M0/CAA	
Product Group	UHF (860...960 MHz)	UHF (860...960 MHz)	
Working frequency	860...960 MHz	860...960 MHz	
Dimension	17 × 73 mm	9 × 113 mm	
Memory type	EEPROM	EEPROM	
User data, read/write	32 Bit	32 Bit	
EPC memory, read/write	128 Bit	128 Bit	
TID memory, read-only	96 Bit	96 Bit	
Antenna type	Dipol	Dipol	
Installation	metal-free (clear zone)	metal-free (clear zone)	
Storage temperature	-20...80 °C	-20...80 °C	
Storage temperature temporary	—	—	
Ambient temperature	-20...80 °C	-20...80 °C	
Housing material	Paper	Paper	
Protection degree	—	—	
Approval/Conformity	CE	CE	
Productview	Page 30	Page 30	



			<b>BISO16A</b> BIS U-157-A0/COM	
				<b>BISO16C</b> BIS U-157-A0/C1M
	<b>BISO167</b> BIS U-154-M0/CAA	<b>BISO169</b> BIS U-156-M0/CAA		
	UHF (860...960 MHz)	UHF (860...960 MHz)	UHF (860...960 MHz)	UHF (860...960 MHz)
	860...960 MHz	860...960 MHz	865...868 MHz	902...928 MHz
	15 x 97 mm	53 x 53 mm	22.5 x 1.65 x 50 mm	22.5 x 1.65 x 50 mm
	EEPROM	EEPROM	EEPROM	EEPROM
	32 Bit	32 Bit	512 Bit	512 Bit
	128 Bit	128 Bit	96 Bit	96 Bit
	96 Bit	96 Bit	64 Bit	64 Bit
	Dipol	Dipol	Dipol	Dipol
	metal-free (clear zone)	metal-free (clear zone)	on metal	on metal
	-40...85 °C	-40...85 °C	-25...95 °C	-25...95 °C
	—	—	—	—
	-40...85 °C	-40...85 °C	-20...85 °C	-20...85 °C
	Paper	Paper	PET	PET
	—	—	IP67	IP67
	CE	CE	CE, REACH regulation (EU), RoHS	CE, REACH regulation (EU), RoHS
	Page 30	Page 30	Page 30	Page 30

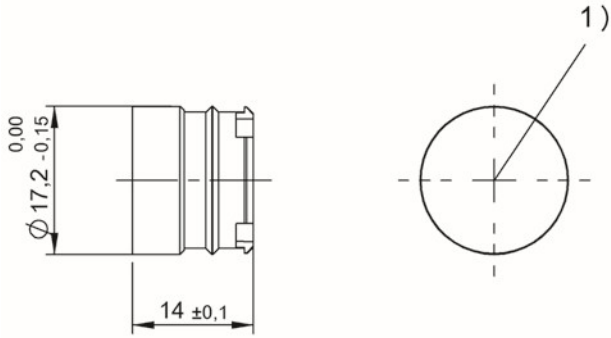


Europe: 865-868 MHz	<b>BISO16E</b> BIS U-158-A0/COM-HT		
America/Asia: 902-928 MHz		<b>BISO16F</b> BIS U-158-A0/C1M-HT	
worldwide: 860-960 MHz			
Product Group	UHF (860...960 MHz)	UHF (860...960 MHz)	
Working frequency	865...868 MHz	902...928 MHz	
Dimension	25 x 1.65 x 88 mm	25 x 1.65 x 88 mm	
Memory type	EEPROM	EEPROM	
User data, read/write	512 Bit	512 Bit	
EPC memory, read/write	96 Bit	96 Bit	
TID memory, read-only	64 Bit	64 Bit	
Antenna type	Dipol	Dipol	
Installation	on metal	on metal	
Storage temperature	-25...95 °C	-25...95 °C	
Storage temperature temporary	160 °C 3 x 30 min	160 °C 3 x 30 min	
Ambient temperature	-30...70 °C	-30...70 °C	
Housing material	PEN	PEN	
Protection degree	IP67	IP67	
Approval/Conformity	CE, REACH regulation (EU), RoHS	CE, REACH regulation (EU), RoHS	
Productview	Page 31	Page 31	



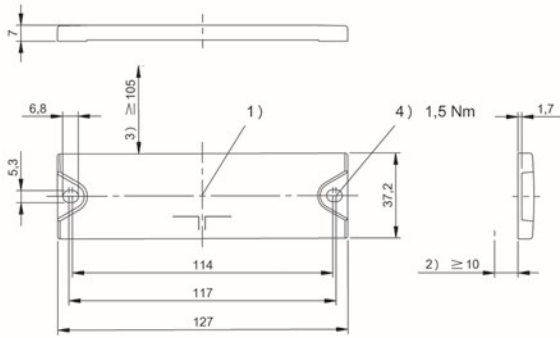
	<b>BISO16J</b> BIS U-160-A0/CAG	<b>BISO164</b> BIS U-151-M2/CAA	<b>BISO168</b> BIS U-155-M2/CAA	<b>BISO16H</b> BIS U-159-M2/CAA
	UHF (860...960 MHz)	UHF (860...960 MHz)	UHF (860...960 MHz)	UHF (860...960 MHz)
	860...960 MHz	860...960 MHz	860...960 MHz	850...960 MHz
	25.4 x 0.18 x 80 mm	54 x 34 mm	27 x 97 mm	23 x 1 x 100 mm
	EEPROM	EEPROM	EEPROM	EEPROM
	512 Bit	512 Bit	512 Bit	512 Bit
	96 Bit	128 Bit	128 Bit	128 Bit
	64 Bit	96 Bit	96 Bit	96 Bit
	Dipol	Dipol	Dipol	Dipol
	metal-free (clear zone)	metal-free (clear zone)	metal-free (clear zone)	metal-free (clear zone)
	-50...85 °C	-40...85 °C	-40...85 °C	-40...85 °C
	—	—	—	—
	-50...85 °C	-40...85 °C	-40...85 °C	-25...70 °C
	PET	Paper	Paper	PET
	IP67	—	—	IP68
	CE, REACH regulation (EU), RoHS	CE	CE	CE, REACH regulation (EU), RoHS
	Page 31	Page 31	Page 31	Page 31





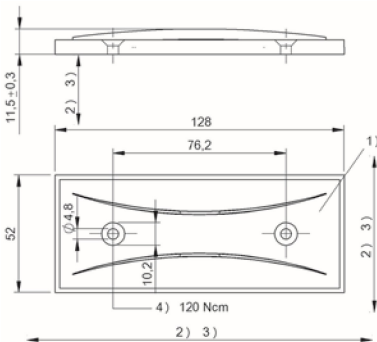
1) Sensing surface

**BIS0178**



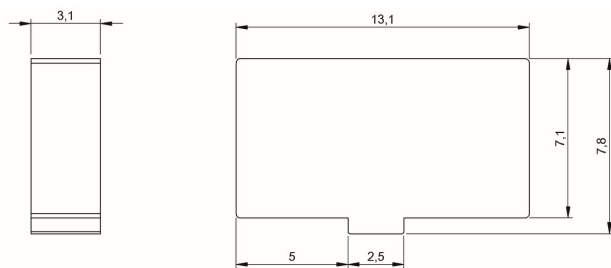
1) Sensing surface, 2) Clear zone, 3) Clear zone surrounding, 4) Tightening torque

**BIS00NL, BIS00RC**



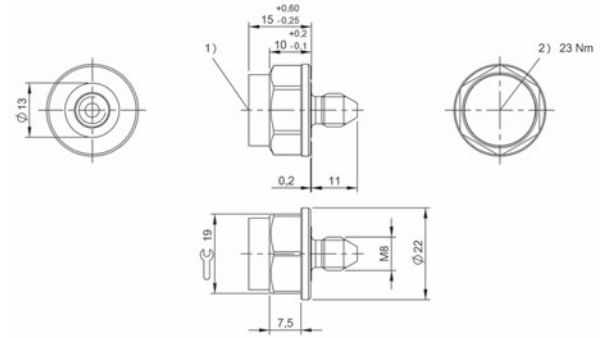
1) Sensing surface, 2) Clear zone, 3) see corresponding R/W head, 4) Tightening torque

**BIS00WE, BIS00WC**



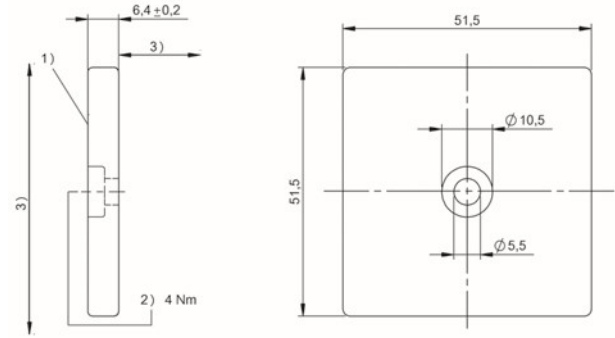
1) Sensing surface

**BIS016R, BIS016T**



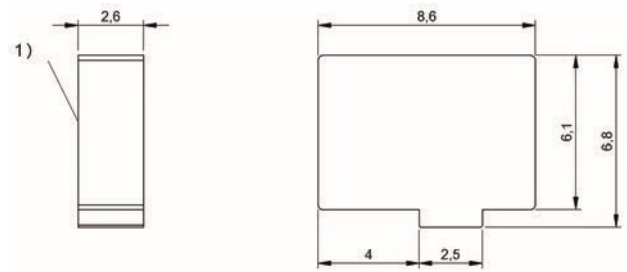
1) Sensing surface, 2) Tightening torque

**BIS013P, BIS013R**



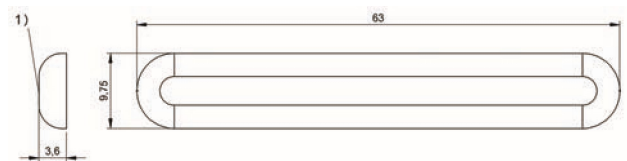
1) Sensing surface, 2) Tightening torque, 3) see R/W head table

**BIS00WH, BIS00WF**



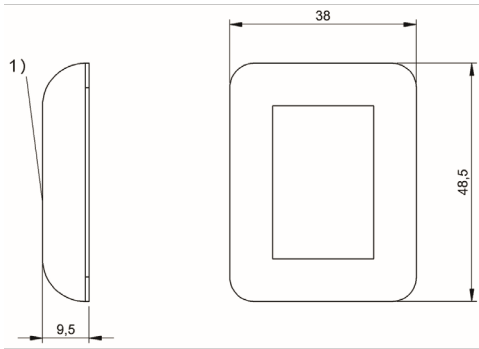
1) Sensing surface

**BIS016N, BIS016P**



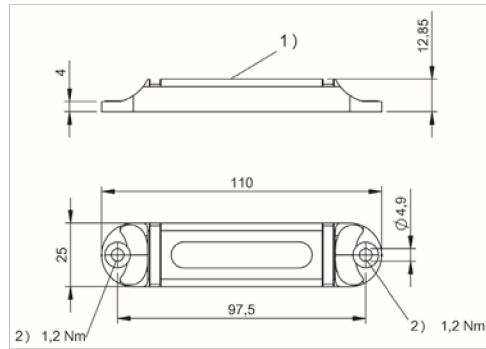
1) Sensing surface

**BIS016Y, BIS016Z**



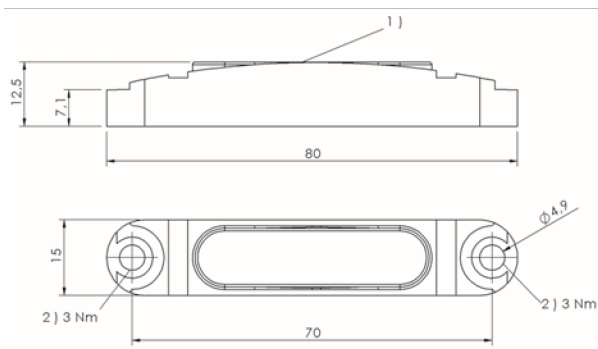
1) Sensing surface

**BIS0170, BIS0171**



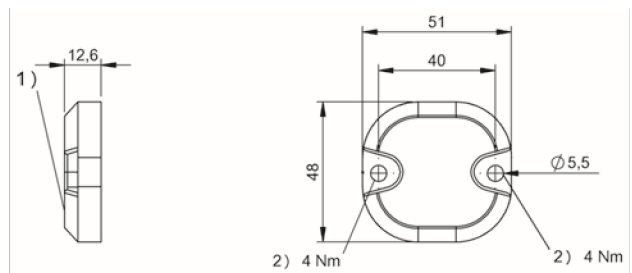
1) Sensing surface, 2) Tightening torque

**BIS0174**



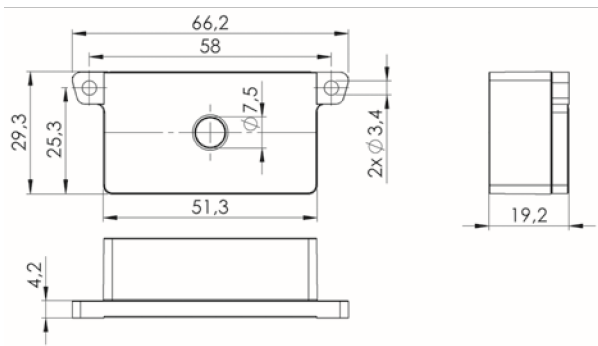
1) Sensing surface, 2) Tightening torque

**BIS0172**

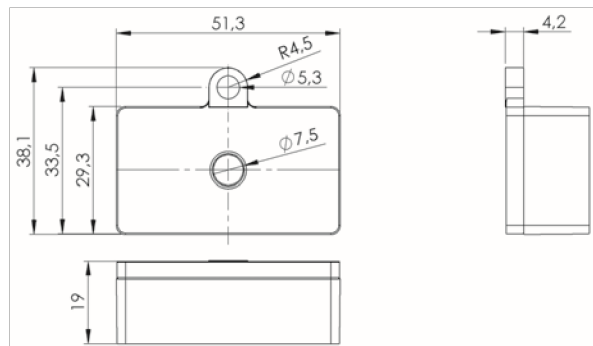


1) Sensing surface, 2) Tightening torque

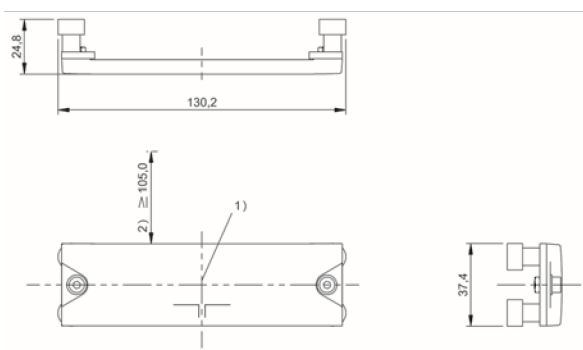
**BIS0173**



**BIS018F**

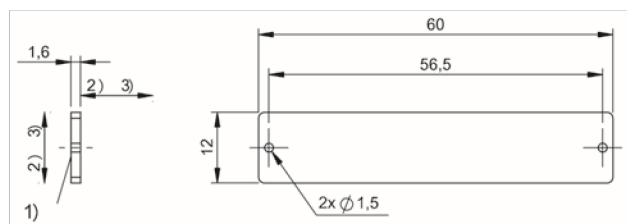


**BIS018H**



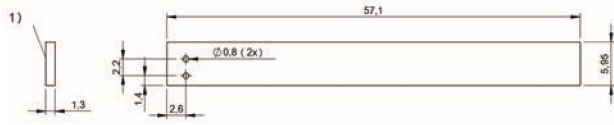
1) Sensing surface, 2) Clear zone surrounding

**BIS00U4**



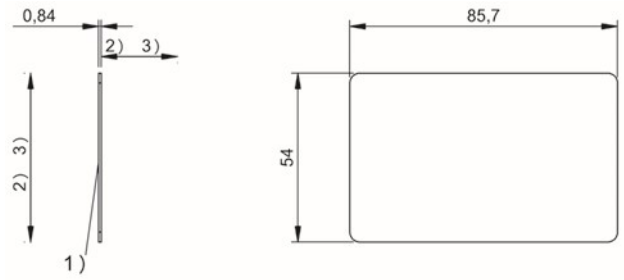
1) Sensing surface, 2) Clear zone, 3) see corresponding R/W head

**BIS016K, BIS016L**



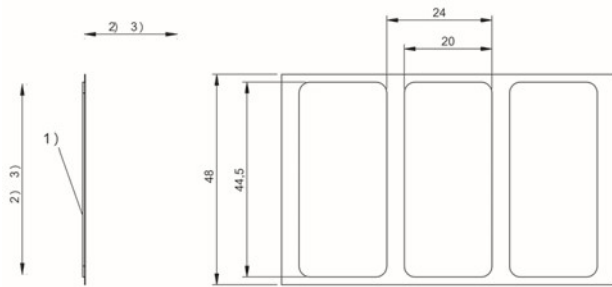
1) Sensing surface

**BIS016U, BIS016W**



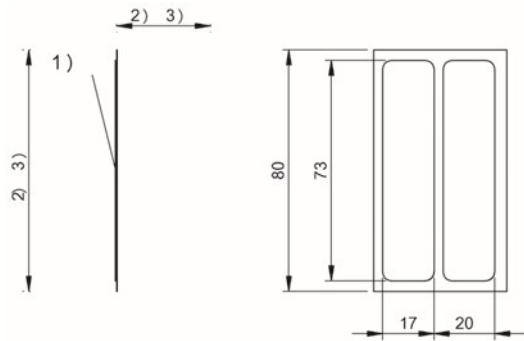
1) Sensing surface, 2) Clear zone, 3) see corresponding R/W head

**BIS016M**



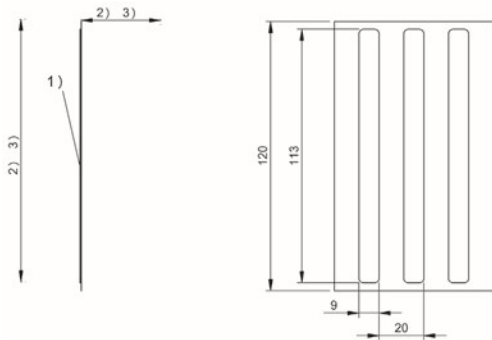
1) Sensing surface, 2) Clear zone, 3) see corresponding R/W head

**BIS0163**



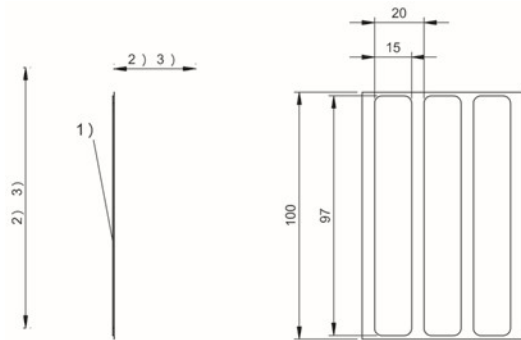
1) Sensing surface, 2) Clear zone, 3) see corresponding R/W head

**BIS0165**



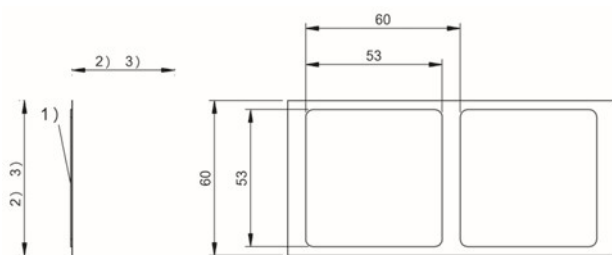
1) Sensing surface, 2) Clear zone, 3) see corresponding R/W head

**BIS0166**



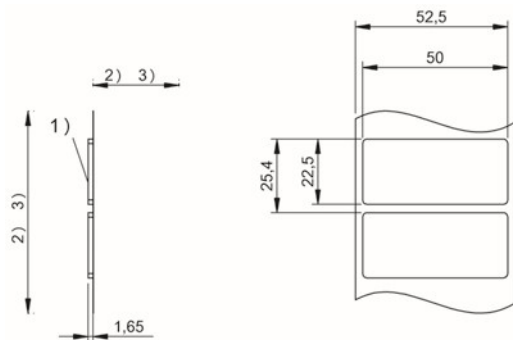
1) Sensing surface, 2) Clear zone, 3) see corresponding R/W head

**BIS0167**



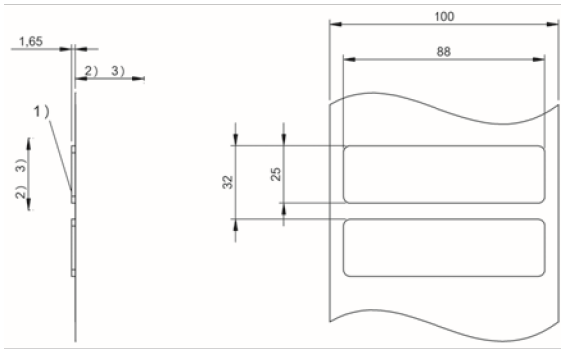
1) Sensing surface, 2) Clear zone, 3) see corresponding R/W head

**BIS0169**



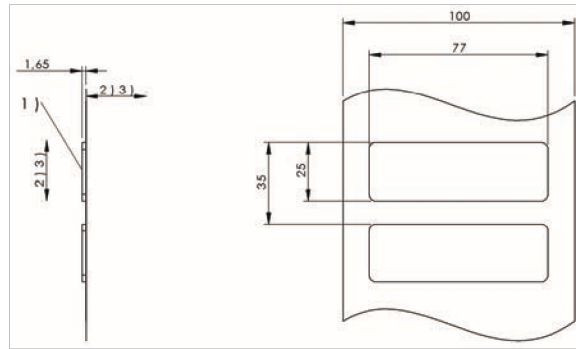
1) Sensing surface, 2) Clear zone, 3) see corresponding R/W head

**BIS016A, BIS016C**



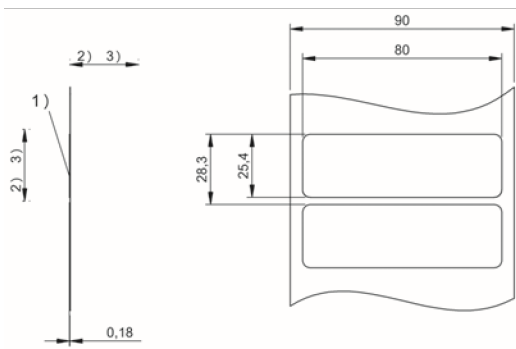
1) Sensing surface, 2) Clear zone, 3) see corresponding RW head

**BISO16E**



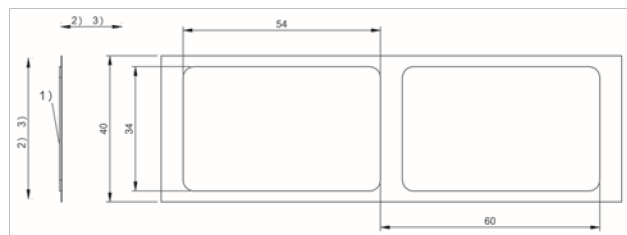
1) Sensing surface, 2) Clear zone, 3) see corresponding RW head

**BISO16F**



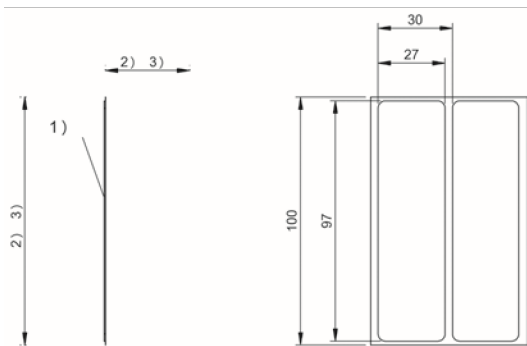
1) Sensing surface, 2) Clear zone, 3) see corresponding RW head

**BISO16J**



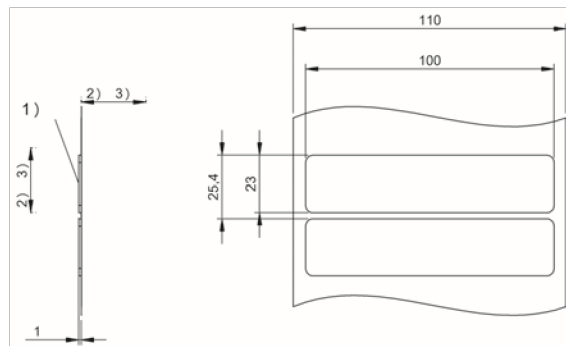
1) Sensing surface, 2) Clear zone, 3) see corresponding RW head

**BISO164**



1) Sensing surface, 2) Clear zone, 3) see corresponding RW head

**BISO168**



1) Sensing surface, 2) Clear zone, 3) see corresponding RW head

**BISO16H**



Europe: 865...868 MHz	<b>BIS015Z</b> BIS VU-320-C0-S4		
USA/Canada/Mexico: 902...928 MHz		<b>BIS015Y</b> BIS VU-320-C1-S4	
China: 920.5...924.5 MHz			
South Korea: 917...921 MHz			
Japan: 916.8...92.4 MHz			
Australia: 920.25...925.75 MHz			
Product Group	UHF (860...960 MHz)	UHF (860...960 MHz)	
Radio license	Europe	USA, Canada, Mexico	
Dimension	130 x 50.5 x 130 mm	130 x 50.5 x 130 mm	
Antenna type	Patch	Patch	
Polarization	circular	circular	
Output power adjustable	5 dBm...24 dBm (3.2 mW...250 mW)	7 dBm...26 dBm (5 mW...400 mW)	
Connection	M12x1-Male, 4-pole, A-coded	M12x1-Male, 4-pole, A-coded	
Housing material	PC ABS, zinc, die-cast, (connector)	PC ABS, zinc, die-cast, (connector)	
Interface	RS485	RS485	
Operating voltage Ub	24 V DC LPS Class 2	24 V DC LPS Class 2	
Ambient temperature	-20...55 °C	-20...55 °C	
Protection degree	IP67	IP67	
Approval/Conformity	CE, ETSI EN 302 208, UL Listed	FCC Part 15, IC RSS-210, UL Listed	
Productview	Page 36	Page 36	



<b>BIS018Z</b> BIS VU-320-C2-S4				
	<b>BIS0190</b> BIS VU-320-C4-S4			
		<b>BIS0191</b> BIS VU-320-C5-S4		
			<b>BIS0192</b> BIS VU-320-C7-S4	
UHF (860...960 MHz)	UHF (860...960 MHz)	UHF (860...960 MHz)	UHF (860...960 MHz)	
China	South Korea	Japan	Australia	
130 x 50.5 x 130 mm	130 x 50.5 x 130 mm	130 x 50.5 x 130 mm	130 x 50.5 x 130 mm	
Patch	Patch	Patch	Patch	
circular	circular	circular	circular	
5 dBm...24 dBm (3.2 mW...250 mW)	7 dBm...26 dBm (5 mW...400 mW)	7 dBm...25 dBm (5 mW...320 mW)	7 dBm...26 dBm (5 mW...400 mW)	
M12x1-Male, 4-pole, A-coded	M12x1-Male, 4-pole, A-coded	M12x1-Male, 4-pole, A-coded	M12x1-Male, 4-pole, A-coded	
PC ABS, zinc, die-cast, (connector)	PC ABS, zinc, die-cast, (connector)	PC ABS, zinc, die-cast, (connector)	PC ABS, zinc, die-cast, (connector)	
RS485	RS485	RS485	RS485	
24 V DC LPS Class 2	24 V DC LPS Class 2	24 V DC LPS Class 2	24 V DC LPS Class 2	
-20...55 °C	-20...55 °C	-20...55 °C	-20...55 °C	
IP67	IP67	IP67	IP67	
CMIIT-Radio Transmiss. Equipm., UL Listed	KC, UL Listed	ARIB T106, MIC Specified Radio Equipment, UL Listed	AS/NZS 4268, UL Listed	
Page 36	Page 36	Page 36	Page 36	

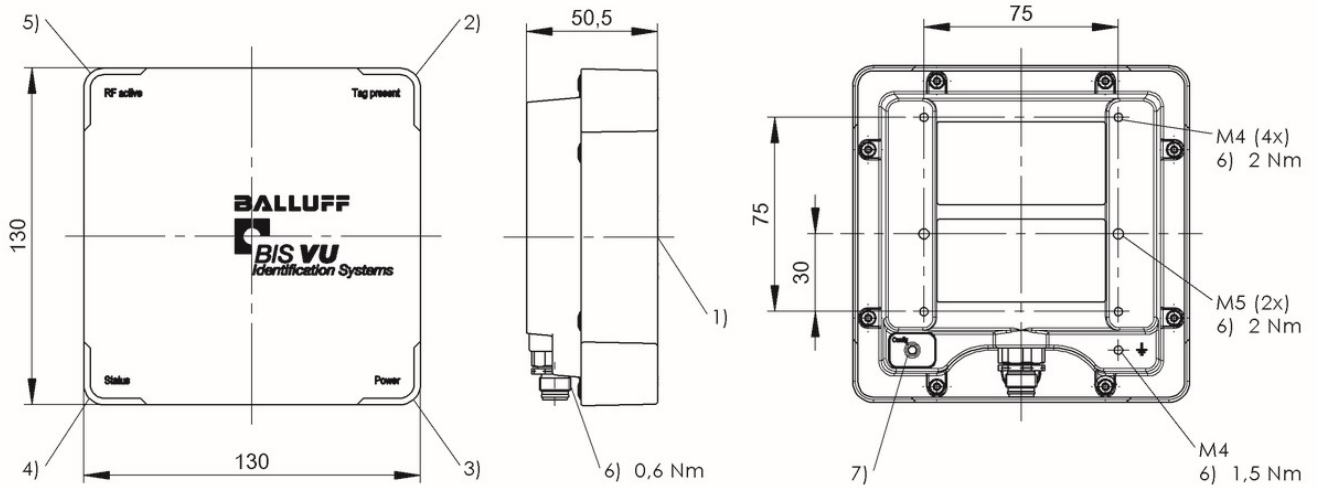


Europe: 865...868 MHz	<b>BIS00P0</b> BIS U-301-C0-TNCB		
America/Asia: 902...928 MHz		<b>BIS00TY</b> BIS U-301-C1-TNCB	
Product Group	UHF (860...960 MHz)	UHF (860...960 MHz)	
Working frequency	865...868 MHz	902...928 MHz	
Radio license	—	—	
Dimension	133 x 18.4 x 133 mm	133 x 18.4 x 133 mm	
Antenna type	Patch	Patch	
Polarization	circular	circular	
Output power adjustable	—	—	
Connection	—	—	
Housing material	PC	PC	
Interface	—	—	
Operating voltage $U_b$	—	—	
Ambient temperature	-30...70 °C	-30...70 °C	
Protection degree	IP67	IP67	
Approval/Conformity	—	—	
Productview	Page 36	Page 36	



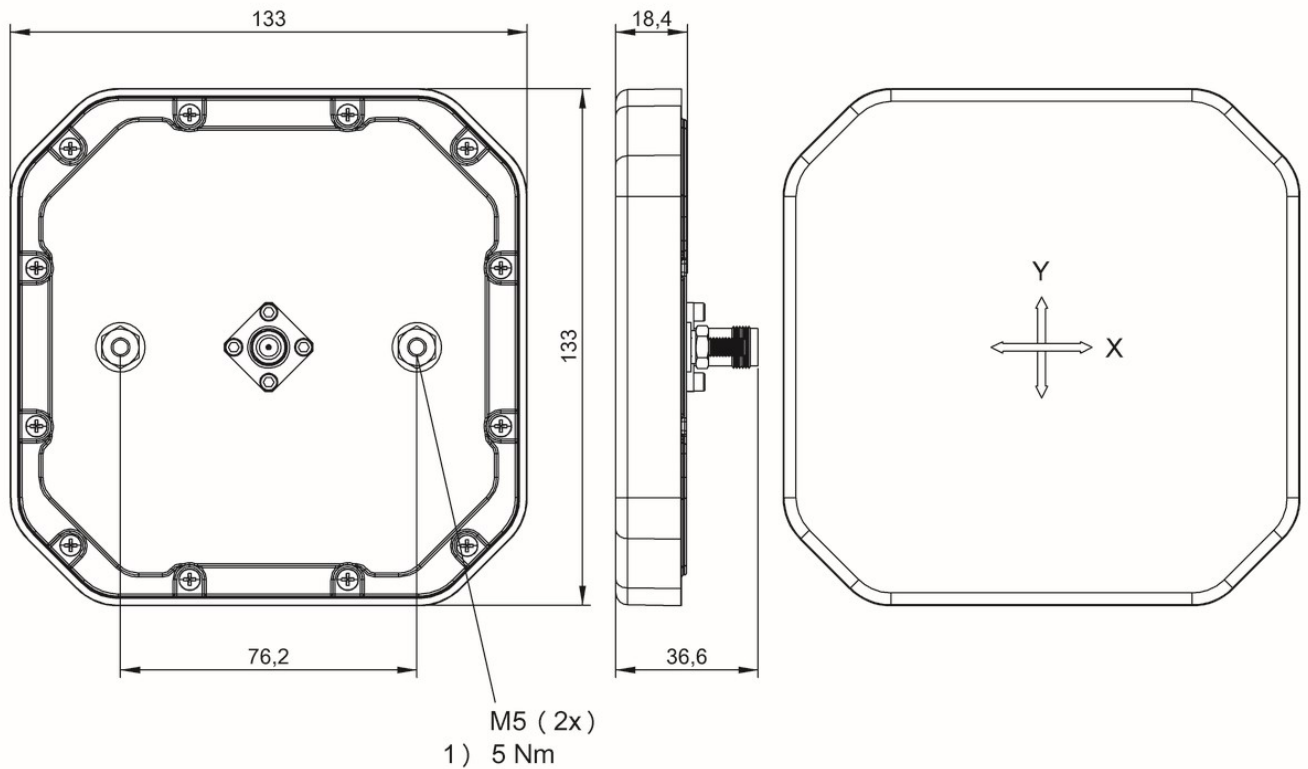
<b>BIS00TZ</b> BIS U-302-C0-TNCB			
	<b>BIS00UO</b> BIS U-302-C1-TNCB		
UHF (860...960 MHz)	UHF (860...960 MHz)		
865...868 MHz	902...928 MHz		
—	—		
271 x 42.5 x 271 mm	271 x 42.5 x 271 mm		
Patch	Patch		
circular	circular		
—	—		
—	—		
Aluminum, antenna hood: polymer blend	Aluminum, antenna hood: polymer blend		
—	—		
—	—		
-20...55 °C	-20...55 °C		
IP65	IP65		
—	—		
Page 37	Page 37		





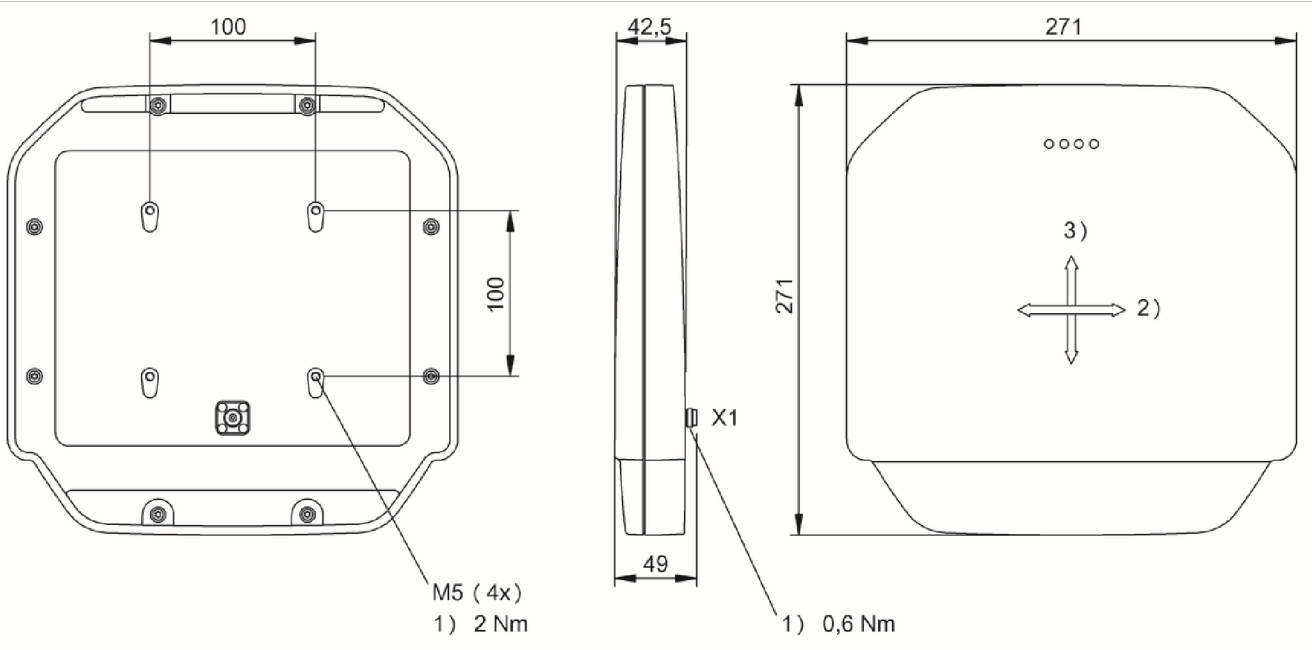
1) Sensing surface, 2) LED (Tag present), 3) LED (Power), 4) LED (Status), 5) LED (RF active), 6) Tightening torque, 7) Button (Config)

**BIS015Z, BIS015Y, BIS018Z, BIS0190, BIS0191, BIS0192**



1) Tightening torque

**BIS00P0, BIS00TY**



1) Tightening torque, 2) horizontal, 3) vertical

**BIS00TZ, BIS00UO**



Profibus DP Slave, galvanically isolated	<b>BIS00T3</b> BIS V-6102-019-C001	
Ethernet/IP		
Product Group	Multi-Frequency Processors (BIS V)	
Working frequency	—	
Radio license	—	
Interface	Profibus DP Slave, galvanically isolated	
Supported RFID technologies	LF 125 kHz (BIS VL), HF 13.56 MHz (BIS VM), UHF 860/960 MHz (BIS VU)	
Number of connectable R/W heads / antennas	4	
Output power adjustable	—	
Operating voltage $U_b$	24 V DC LPS Class 2	
Housing material	Zinc, die-cast	
Ambient temperature	0...60 °C	
Protection degree	IP65 with connector	
Approval/Conformity	CE, UL Listed	
Productview	Page 62	



<b>BIS012E</b> BIS V-6102-019-C101		
	<b>BIS012F</b> BIS V-6106-034-C002	<b>BIS014C</b> BIS V-6106-034-C102
Multi-Frequency Processors (BIS V)	Multi-Frequency Processors (BIS V)	Multi-Frequency Processors (BIS V)
—	—	—
—	—	—
Profibus DP Slave, galvanically isolated	Ethernet/IP	Ethernet/IP
LF 125 kHz (BIS VL), LF 70/455 kHz (BIS C), HF 13.56 MHz (BIS VM), UHF 860/960 MHz (BIS VU)	LF 125 kHz (BIS VL), HF 13.56 MHz (BIS VM), UHF 860/960 MHz (BIS VU)	LF 125 kHz (BIS VL), LF 70/455 kHz (BIS C), HF 13.56 MHz (BIS VM), UHF 860/960 MHz (BIS VU)
4	4	4
—	—	—
24 V DC LPS Class 2	24 V DC LPS Class 2	24 V DC LPS Class 2
Zinc, die-cast	Zinc, die-cast	Zinc, die-cast
0...60 °C	0...60 °C	0...60 °C
IP65 with connector	IP65 with connector	IP65 with connector
CE, UL Listed	CE, UL Listed	CE, UL Listed
Page 62	Page 62	Page 62



Ethernet/IP	<b>BIS0122</b> BIS V-6106-034-C004	
Ethernet TCP/IP, USB		
Product Group	Multi-Frequency Processors (BIS V)	
Working frequency	—	
Radio license	—	
Interface	Ethernet/IP	
Supported RFID technologies	LF 125 kHz (BIS VL), HF 13.56 MHz (BIS VM), UHF 860/960 MHz (BIS VU)	
Number of connectable R/W heads / antennas	4	
Output power adjustable	—	
Operating voltage U <sub>b</sub>	24 V DC LPS Class 2	
Housing material	Zinc, die-cast	
Ambient temperature	0...60 °C	
Protection degree	IP65 with connector	
Approval/Conformity	CE, UL Listed	
Productview	Page 63	



<b>BISO146</b> BIS V-6106-034-C104		
	<b>BISO186</b> BIS V-6107-039-C005	<b>BISO187</b> BIS V-6107-039-C105
Multi-Frequency Processors (BIS V)	Multi-Frequency Processors (BIS V)	Multi-Frequency Processors (BIS V)
—	—	—
—	—	—
Ethernet/IP	Ethernet TCP/IP, USB	Ethernet TCP/IP, USB
LF 125 kHz (BIS VL), LF 70/455 kHz (BIS C), HF 13.56 MHz (BIS VM), UHF 860/960 MHz (BIS VU)	LF 125 kHz (BIS VL), HF 13.56 MHz (BIS VM), UHF 860/960 MHz (BIS VU)	LF 125 kHz (BIS VL), LF 70/455 kHz (BIS C), HF 13.56 MHz (BIS VM), UHF 860/960 MHz (BIS VU)
4	4	4
—	—	—
24 V DC LPS Class 2	24 V DC LPS Class 2	24 V DC LPS Class 2
Zinc, die-cast	Zinc, die-cast	Zinc, die-cast
0...60 °C	0...60 °C	0...60 °C
IP65 with connector	IP65 with connector	IP65 with connector
CE, UL Listed	CE, UL Listed	CE, UL Listed
Page 63	Page 63	Page 63

Sensors

RFID

Machine Vision and  
Optical Identification

Human Machine  
Interfaces

Systems

Safety

Industrial Networking

Power Supplies

Connectivity

Accessories



Ethernet TCP/IP, USB	<b>BIS018J</b> BIS V-6107-039-C006	
Profinet I/O (IRT), Profinet I/O (IRT), 2 port Switch		
Product Group	Multi-Frequency Processors (BIS V)	
Working frequency	—	
Radio license	—	
Interface	Ethernet TCP/IP, USB	
Supported RFID technologies	LF 125 kHz (BIS VL), HF 13.56 MHz (BIS VM), UHF 860/960 MHz (BIS VU)	
Number of connectable R/W heads / antennas	4	
Output power adjustable	—	
Operating voltage $U_b$	24 V DC LPS Class 2	
Housing material	Zinc, die-cast	
Ambient temperature	0...60 °C	
Protection degree	IP65 with connector	
Approval/Conformity	CE, UL Listed	
Productview	Page 64	



<b>BISO18K</b> BIS V-6107-039-C106		
	<b>BISO13U</b> BIS V-6108-048-C002	<b>BISO13W</b> BIS V-6108-048-C102
Multi-Frequency Processors (BIS V)	Multi-Frequency Processors (BIS V)	Multi-Frequency Processors (BIS V)
—	—	—
—	—	—
Ethernet TCP/IP, USB	Profinet I/O (IRT), 2 port Switch	Profinet I/O (IRT), 2 port Switch
LF 125 kHz (BIS VL), LF 70/455 kHz (BIS C), HF 13.56 MHz (BIS VM), UHF 860/960 MHz (BIS VU)	LF 125 kHz (BIS VL), HF 13.56 MHz (BIS VM), UHF 860/960 MHz (BIS VU)	LF 125 kHz (BIS VL), LF 70/455 kHz (BIS C), HF 13.56 MHz (BIS VM), UHF 860/960 MHz (BIS VU)
4	4	4
—	—	—
24 V DC LPS Class 2	24 V DC LPS Class 2	24 V DC LPS Class 2
Zinc, die-cast	Zinc, die-cast	Zinc, die-cast
0...60 °C	0...60 °C	0...60 °C
IP65 with connector	IP65 with connector	IP65 with connector
CE, UL Listed	CE, UL Listed	CE, UL Listed
Page 64	Page 64	Page 64





EtherCAT	<b>BIS00U9</b> BIS V-6110-063-C002	
Product Group	Multi-Frequency Processors (BIS V)	
Working frequency	—	
Radio license	—	
Interface	EtherCAT	
Supported RFID technologies	LF 125 kHz (BIS VL), HF 13.56 MHz (BIS VM), UHF 860/960 MHz (BIS VU)	
Number of connectable R/W heads / antennas	4	
Output power adjustable	—	
Operating voltage Ub	24 V DC LPS Class 2	
Housing material	Zinc, die-cast	
Ambient temperature	0...60 °C	
Protection degree	IP65 with connector	
Approval/Conformity	CE, UL Listed	
Productview	Page 65	



<b>BISO147</b> BIS V-6110-063-C102		
Multi-Frequency Processors (BIS V)		
—		
—		
EtherCAT		
LF 125 kHz (BIS VL), LF 70/455 kHz (BIS C), HF 13.56 MHz (BIS VM), UHF 860/960 MHz (BIS VU)		
4		
—		
24 V DC LPS Class 2		
Zinc, die-cast		
0...60 °C		
IP65 with connector		
CE, UL Listed		
Page 65		

Sensors

RFID

Machine Vision and  
Optical Identification

Human Machine  
Interfaces

Systems

Safety

Industrial Networking

Power Supplies

Connectivity

Accessories



Europe: 865...868 MHz	<b>BIS00M7</b> BIS U-6020-053-104-00-ST26	
USA/Canada/Mexico: 902...928 MHz		
Brazil: 915...928 MHz		
Product Group	UHF (860...960 MHz)	
Radio license	Europe	
Interface	RS232	
Supported RFID technologies	UHF 860/960 MHz (BIS U)	
Number of connectable R/W heads / antennas	4	
Output power adjustable	17 dBm...30 dBm (50 mW...1 W)	
Operating voltage Ub	19.2...28.8 VDC	
Housing material	Steel, aluminum	
Ambient temperature	-20...55 °C	
Protection degree	IP65 with connector	
Approval/Conformity	CE, ETSI EN 302 208	
Productview	Page 66	



	<b>BIS00R2</b> BIS U-6020-059-114-00-ST26		<b>BIS013J</b> BIS U-6026-034-114-06-ST35
		<b>BIS00UM</b> BIS U-6020-059-134-00-ST26	
	UHF (860...960 MHz)	UHF (860...960 MHz)	UHF (860...960 MHz)
	USA, Canada, Mexico	Brazil	USA, Canada
	RS232	RS232	Ethernet/IP, galvanically isolated
	UHF 860/960 MHz (BIS U)	UHF 860/960 MHz (BIS U)	UHF 860/960 MHz (BIS U)
	4	4	4
	17 dBm...30 dBm (50 mW...1 W)	17 dBm...30 dBm (50 mW...1 W)	17 dBm...30 dBm (50 mW...1 W)
	19.2...28.8 VDC	19.2...28.8 VDC	19.2...28.8 VDC
	Steel, aluminum	Steel, aluminum	Steel, aluminum
	-20...55 °C	-20...55 °C	-20...55 °C
	IP65 with connector	IP65 with connector	IP65 with connector
	FCC Part 15, IC RSS-210, SCT NOM-121-SCT1-2009	Anatel 442/2006, Anatel 506/2008	FCC Part 15, IC RSS-210
	Page 66	Page 66	Page 66



Europe: 865...868 MHz		
USA/Canada/Mexico: 902...928 MHz		
China: 920.5...924.5 MHz	<b>BIS018N</b> BIS U-6026-034-124-06-ST35	
Product Group	UHF (860...960 MHz)	
Radio license	China	
Interface	Ethernet/IP, galvanically isolated	
Supported RFID technologies	UHF 860/960 MHz (BIS U)	
Number of connectable R/W heads / antennas	4	
Output power adjustable	17 dBm...30 dBm (50 mW...1 W)	
Operating voltage Ub	19.2...28.8 VDC	
Housing material	Steel, aluminum	
Ambient temperature	-20...55 °C	
Protection degree	IP65 with connector	
Approval/Conformity	CMIIT-Radio Transmiss. Equipm.	
Productview	Page 66	



<b>BIS00NA</b> BIS U-6027-054-104-06-ST27		
	<b>BIS00R1</b> BIS U-6027-060-114-06-ST27	
		<b>BIS012R</b> BIS U-6027-060-124-06-ST27
UHF (860...960 MHz)	UHF (860...960 MHz)	UHF (860...960 MHz)
Europe	USA, Canada, Mexico, Argentina	China
Ethernet TCP/IP	Ethernet TCP/IP	Ethernet TCP/IP
UHF 860/960 MHz (BIS U)	UHF 860/960 MHz (BIS U)	UHF 860/960 MHz (BIS U)
4	4	4
17 dBm...30 dBm (50 mW...1 W)	17 dBm...30 dBm (50 mW...1 W)	17 dBm...30 dBm (50 mW...1 W)
19.2...28.8 VDC	19.2...28.8 VDC	19.2...28.8 VDC
Steel, aluminum	Steel, aluminum	Steel, aluminum
-20...55 °C	-20...55 °C	-20...55 °C
IP65 with connector	IP65 with connector	IP65 with connector
CE, ETSI EN 302 208	CNC, FCC Part 15, IC RSS-210, SCT NOM-121-SCT1-2009	CMIIT-Radio Transmiss. Equipm.
Page 67	Page 67	Page 67



Brazil: 915...928 MHz	<b>BIS00UN</b> BIS U-6027-060-134-06-ST27	
South Korea: 917...921 MHz		
Japan: 916.8...92.4 MHz		
Australia: 920.25...925.75 MHz		
Product Group	UHF (860...960 MHz)	
Radio license	Brazil	
Interface	Ethernet TCP/IP	
Supported RFID technologies	UHF 860/960 MHz (BIS U)	
Number of connectable R/W heads / antennas	4	
Output power adjustable	17 dBm...30 dBm (50 mW...1 W)	
Operating voltage U <sub>b</sub>	19.2...28.8 VDC	
Housing material	Steel, aluminum	
Ambient temperature	-20...55 °C	
Protection degree	IP65 with connector	
Approval/Conformity	Anatel 442/2006, Anatel 506/2008	
Productview	Page 67	



	<b>BIS00UR</b> BIS U-6027-060-144-06-ST27		
		<b>BIS012T</b> BIS U-6027-060-154-06-ST27	
			<b>BIS014H</b> BIS U-6027-060-174-06-ST27
	UHF (860...960 MHz)	UHF (860...960 MHz)	UHF (860...960 MHz)
	South Korea	Japan	Australia
	Ethernet TCP/IP	Ethernet TCP/IP	Ethernet TCP/IP
	UHF 860/960 MHz (BIS U)	UHF 860/960 MHz (BIS U)	UHF 860/960 MHz (BIS U)
	4	4	4
	17 dBm...30 dBm (50 mW...1 W)	17 dBm...30 dBm (50 mW...1 W)	17 dBm...30 dBm (50 mW...1 W)
	19.2...28.8 VDC	19.2...28.8 VDC	19.2...28.8 VDC
	Steel, aluminum	Steel, aluminum	Steel, aluminum
	-20...55 °C	-20...55 °C	-20...55 °C
	IP65 with connector	IP65 with connector	IP65 with connector
	KC	ARIB T106, MIC Specified Radio Equipment	AS/NZS 4268
	Page 67	Page 67	Page 67





Europe: 865...868 MHz	<b>BIS012Y</b> BIS U-6028-048-104-06-ST22	
USA/Canada: 902...928 MHz		
China: 920.5...924.5 MHz		
Product Group	UHF (860...960 MHz)	
Radio license	Europe	
Interface	Profinet, galvanically isolated	
Supported RFID technologies	UHF 860/960 MHz (BIS U)	
Number of connectable R/W heads / antennas	4	
Output power adjustable	17 dBm...33 dBm (50 mW...2 W)	
Operating voltage Ub	19.2...28.8 VDC	
Housing material	Steel, aluminum	
Ambient temperature	-20...55 °C	
Protection degree	IP65 with connector	
Approval/Conformity	CE, ETSI EN 302 208	
Productview	Page 67	



<b>BIS00ZU</b> BIS U-6028-048-104-06-ST28		
	<b>BIS00ZW</b> BIS U-6028-048-114-06-ST28	
		<b>BIS017J</b> BIS U-6028-048-124-06-ST28
UHF (860...960 MHz)	UHF (860...960 MHz)	UHF (860...960 MHz)
Europe	USA, Canada	China
Profinet, galvanically isolated	Profinet, galvanically isolated	Profinet, galvanically isolated
UHF 860/960 MHz (BIS U)	UHF 860/960 MHz (BIS U)	UHF 860/960 MHz (BIS U)
4	4	4
17 dBm...33 dBm (50 mW...2 W)	17 dBm...30 dBm (50 mW...1 W)	17 dBm...30 dBm (50 mW...1 W)
19.2...28.8 VDC	19.2...28.8 VDC	19.2...28.8 VDC
Steel, aluminum	Steel, aluminum	Steel, aluminum
-20...55 °C	-20...55 °C	-20...55 °C
IP65 with connector	IP65 with connector	IP65 with connector
CE, ETSI EN 302 208	FCC Part 15, IC RSS-210	CMIIT-Radio Transmiss. Equipm.
Page 68	Page 68	Page 68



Brazil: 915...928 MHz	<b>BIS0152</b> BIS U-6028-048-134-06-ST28	
Product Group	UHF (860...960 MHz)	
Radio license	Brazil	
Interface	Profinet, galvanically isolated	
Supported RFID technologies	UHF 860/960 MHz (BIS U)	
Number of connectable R/W heads / antennas	4	
Output power adjustable	17 dBm...30 dBm (50 mW...1 W)	
Operating voltage U <sub>b</sub>	19.2...28.8 VDC	
Housing material	Steel, aluminum	
Ambient temperature	-20...55 °C	
Protection degree	IP65 with connector	
Approval/Conformity	Anatel 442/2006, Anatel 506/2008	
Productview	Page 68	





Europe: 865...868 MHz	<b>BIS0079</b> BIS U-620-067-101-04-S92	
USA: 902...928 MHz		
Product Group	UHF (860...960 MHz)	
Radio license	Europe	
Interface	RS485	
Supported RFID technologies	UHF 860/960 MHz (BIS U)	
Number of connectable R/W heads / antennas	1	
Output power adjustable	10 dBm...27 dBm (10 mW...500 mW)	
Operating voltage $U_b$	19.2...28.8 VDC	
Housing material	Aluminum	
Ambient temperature	-20...50 °C	
Protection degree	IP65 with connector	
Approval/Conformity	CE, ETSI EN 302 208	
Productview	Page 68	



BIS0078 BIS U-620-067-101-04-ST30		BIS0077 BIS U-620-067-111-04-S92	BIS00Z6 BIS U-620-067-111-04-ST30
UHF (860...960 MHz)		UHF (860...960 MHz)	UHF (860...960 MHz)
Europe		USA	USA
RS485		RS485	RS485
UHF 860/960 MHz (BIS U)		UHF 860/960 MHz (BIS U)	UHF 860/960 MHz (BIS U)
1		1	1
10 dBm...27 dBm (10 mW...500 mW)		10 dBm...27 dBm (10 mW...500 mW)	10 dBm...27 dBm (10 mW...500 mW)
19.2...28.8 VDC		19.2...28.8 VDC	19.2...28.8 VDC
Aluminum		Aluminum	Aluminum
-20...50 °C		-20...50 °C	-20...50 °C
IP65 with connector		IP65 with connector	IP65 with connector
CE, ETSI EN 302 208		FCC Part 15	FCC Part 15
Page 69		Page 68	Page 69



Europe: 865...868 MHz	<b>BIS0075</b> BIS U-620-068-101-00-S115	
USA: 902...928 MHz		
Product Group	UHF (860...960 MHz)	
Radio license	Europe	
Interface	RS232	
Supported RFID technologies	UHF 860/960 MHz (BIS U)	
Number of connectable R/W heads / antennas	1	
Output power adjustable	10 dBm...27 dBm (10 mW...500 mW)	
Operating voltage $U_b$	19.2...28.8 VDC	
Housing material	Aluminum	
Ambient temperature	-20...50 °C	
Protection degree	IP65 with connector	
Approval/Conformity	CE, ETSI EN 302 208	
Productview	Page 69	



BIS0074 BIS U-620-068-101-00-ST29					
		<b>BIS0073</b> BIS U-620-068-111-00-S115		<b>BIS0072</b> BIS U-620-068-111-00-ST29	
	UHF (860...960 MHz)	UHF (860...960 MHz)		UHF (860...960 MHz)	
	Europe	USA		USA	
	RS232	RS232		RS232	
	UHF 860/960 MHz (BIS U)	UHF 860/960 MHz (BIS U)		UHF 860/960 MHz (BIS U)	
	1	1		1	
	10 dBm...27 dBm (10 mW...500 mW)	10 dBm...27 dBm (10 mW...500 mW)		10 dBm...27 dBm (10 mW...500 mW)	
	19.2...28.8 VDC	19.2...28.8 VDC		19.2...28.8 VDC	
	Aluminum	Aluminum		Aluminum	
	-20...50 °C	-20...50 °C		-20...50 °C	
	IP65 with connector	IP65 with connector		IP65 with connector	
	CE, ETSI EN 302 208	FCC Part 15		FCC Part 15	
	Page 70	Page 69		Page 70	

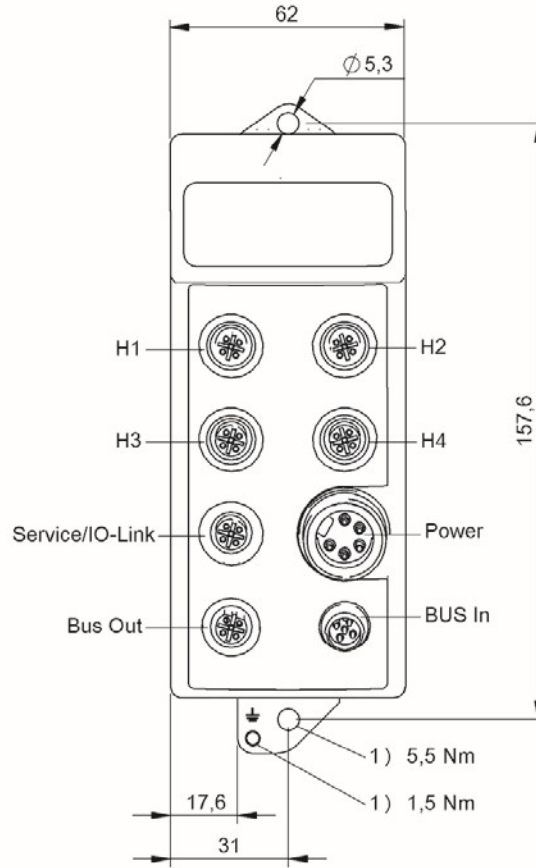
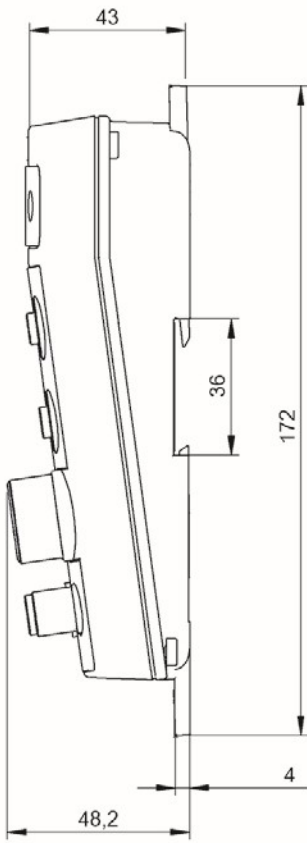




Europe: 865...868 MHz	<b>BIS00Z1</b> BIS U-626-069-101-06-ST31	
USA: 902...928 MHz		
Product Group	UHF (860...960 MHz)	
Radio license	Europe	
Interface	Industrial Ethernet/ Ethernet TCP/IP/MODBUS TCP	
Supported RFID technologies	UHF 860/960 MHz (BIS U)	
Number of connectable R/W heads / antennas	1	
Output power adjustable	10 dBm...27 dBm (10 mW...500 mW)	
Operating voltage U <sub>b</sub>	19.2...28.8 VDC	
Housing material	Aluminum	
Ambient temperature	-20...50 °C	
Protection degree	IP65 with connector	
Approval/Conformity	CE, ETSI EN 302 208	
Productview	Page 70	

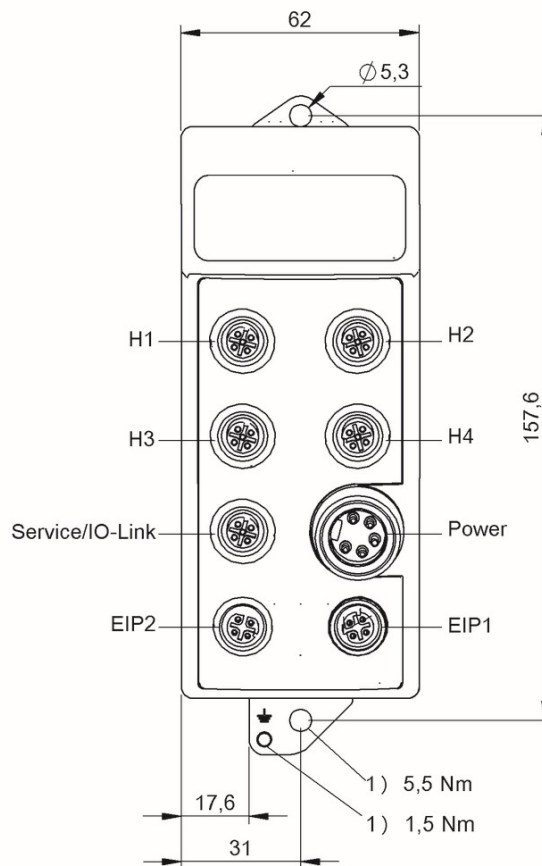
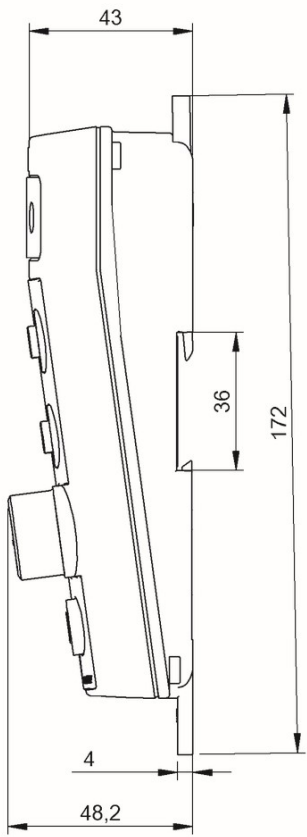


<b>BIS0070</b> BIS U-626-069-101-06-ST32		<b>BIS00YZ</b> BIS U-626-069-111-06-ST31	<b>BIS00YY</b> BIS U-626-069-111-06-ST32
UHF (860...960 MHz)		UHF (860...960 MHz)	UHF (860...960 MHz)
Europe		USA	USA
Industrial Ethernet/ Ethernet TCP/IP/MODBUS TCP		Industrial Ethernet/ Ethernet TCP/IP/MODBUS TCP	Industrial Ethernet/ Ethernet TCP/IP/MODBUS TCP
UHF 860/960 MHz (BIS U)		UHF 860/960 MHz (BIS U)	UHF 860/960 MHz (BIS U)
1		1	1
10 dBm...27 dBm (10 mW...500 mW)		10 dBm...27 dBm (10 mW...500 mW)	10 dBm...27 dBm (10 mW...500 mW)
19.2...28.8 VDC		19.2...28.8 VDC	19.2...28.8 VDC
Aluminum		Aluminum	Aluminum
-20...50 °C		-20...50 °C	-20...50 °C
IP65 with connector		IP65 with connector	IP65 with connector
CE, ETSI EN 302 208		FCC Part 15	FCC Part 15
Page 71		Page 70	Page 71



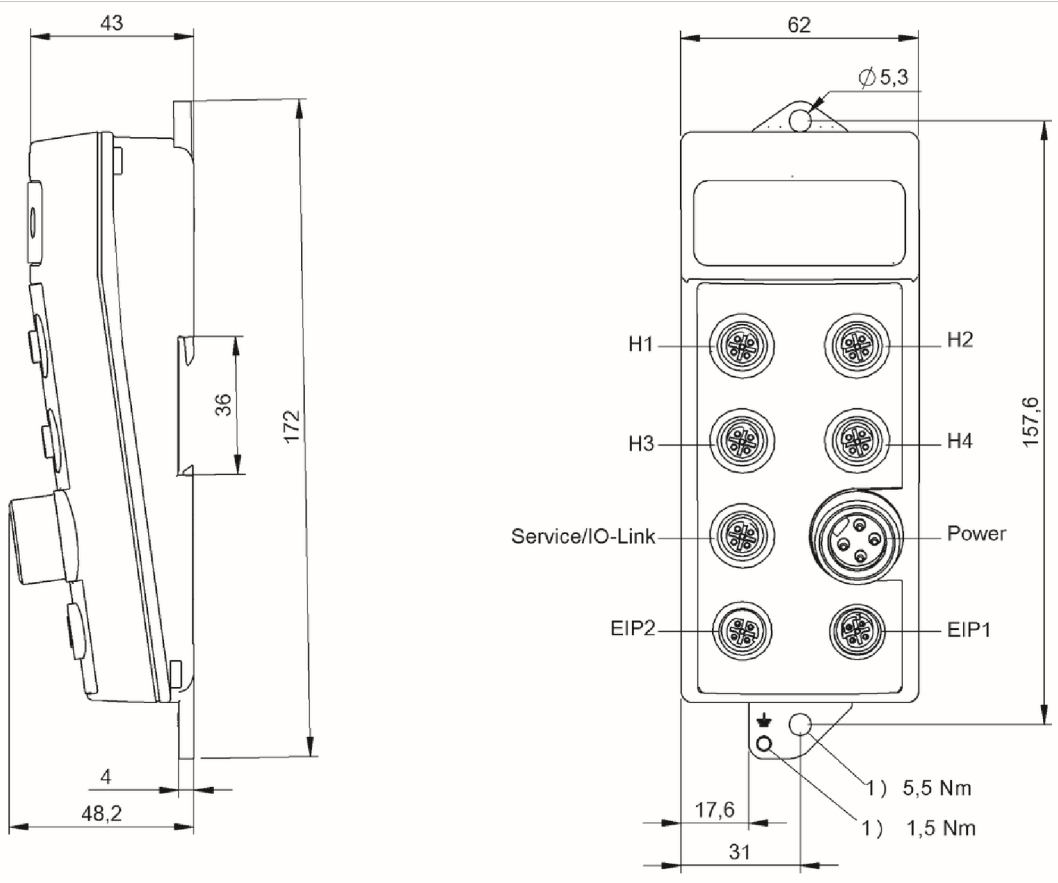
1) Tightening torque

**BISO0T3, BISO12E**



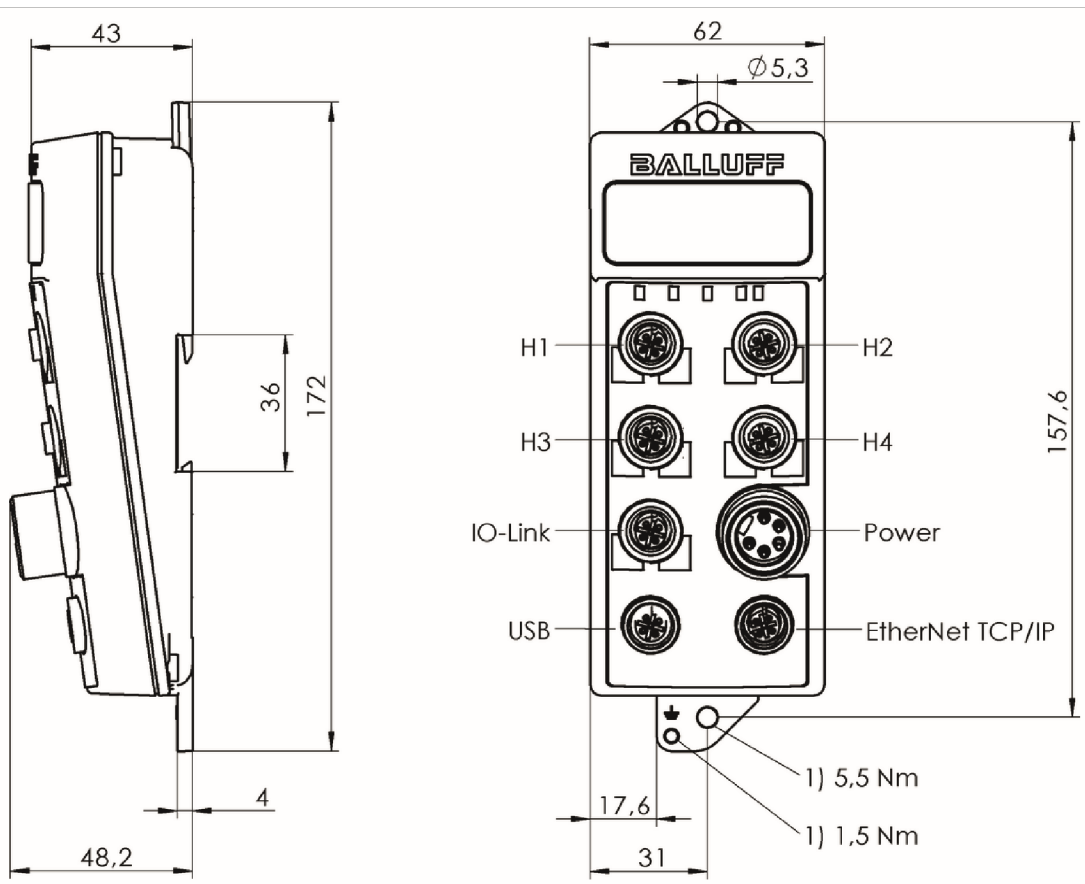
1) Tightening torque

**BISO12F, BISO14C**



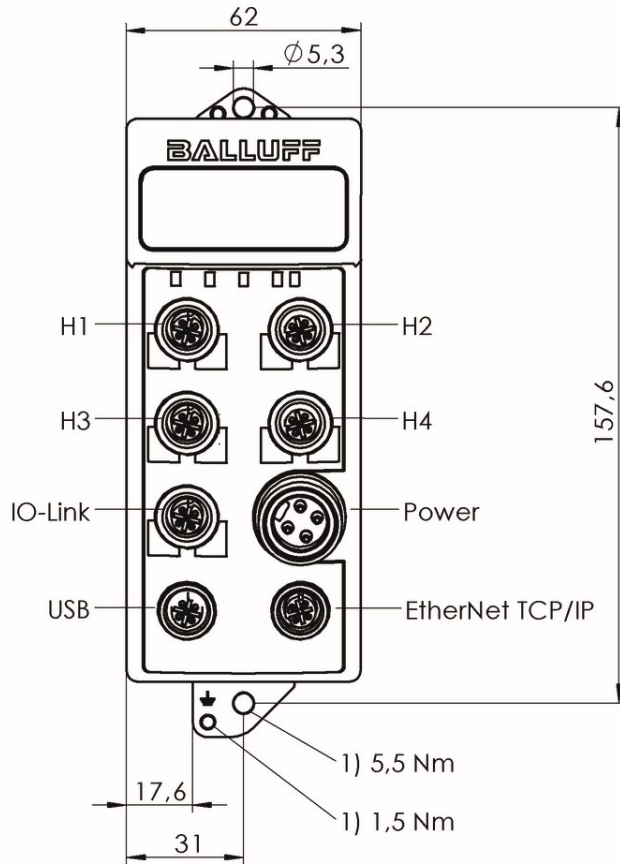
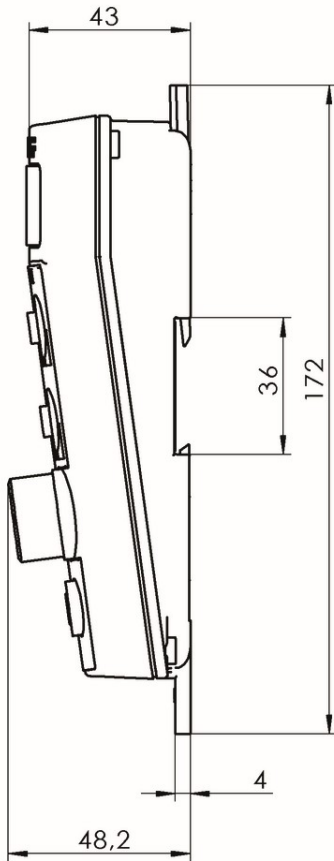
1) Tightening torque

**BISO122, BISO146**



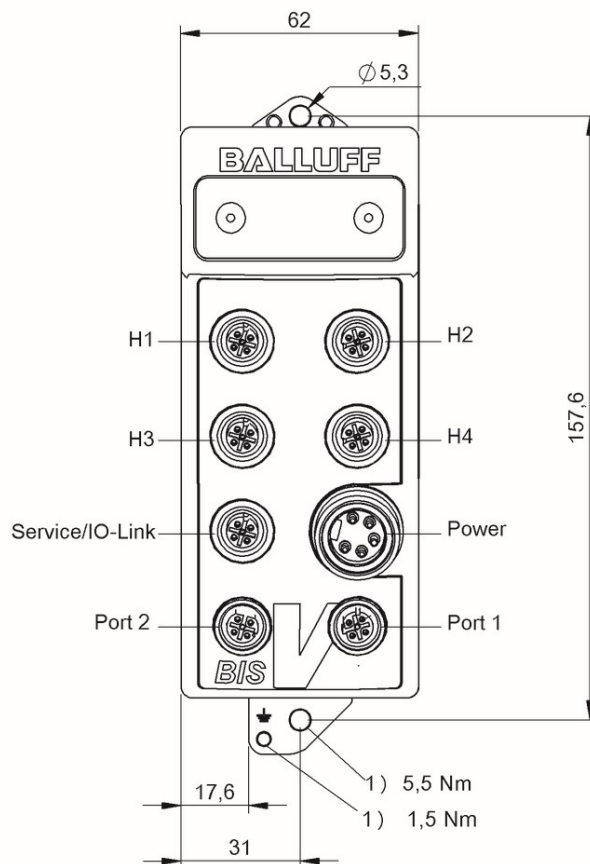
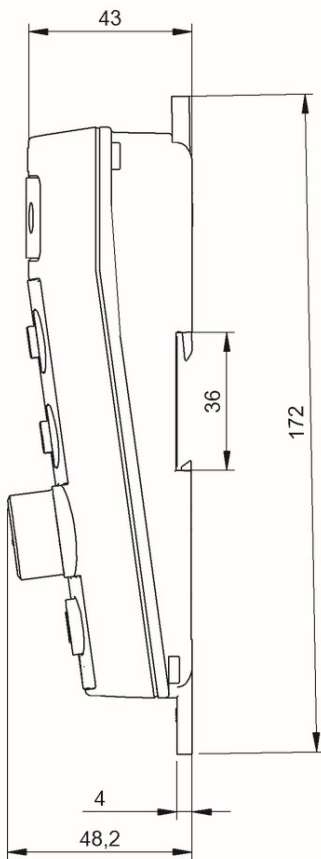
1) Tightening torque

**BISO186, BISO187**



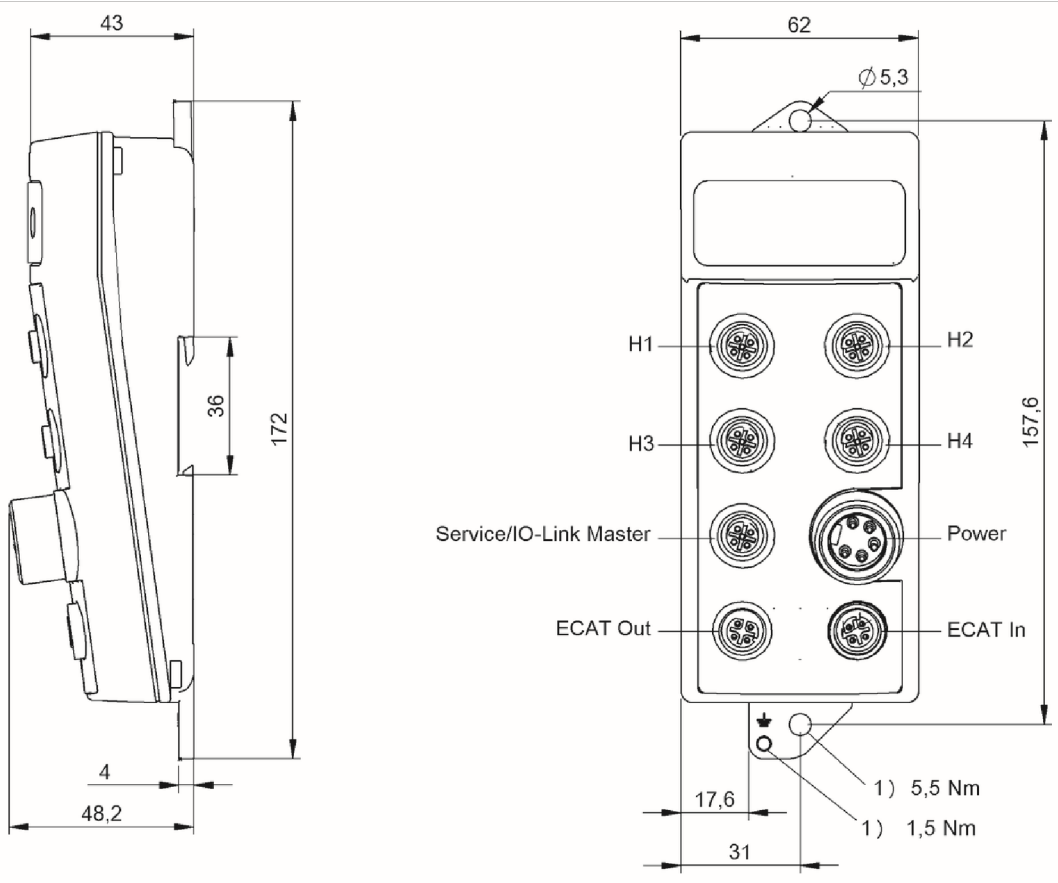
1) Tightening torque

**BIS018J, BIS018K**



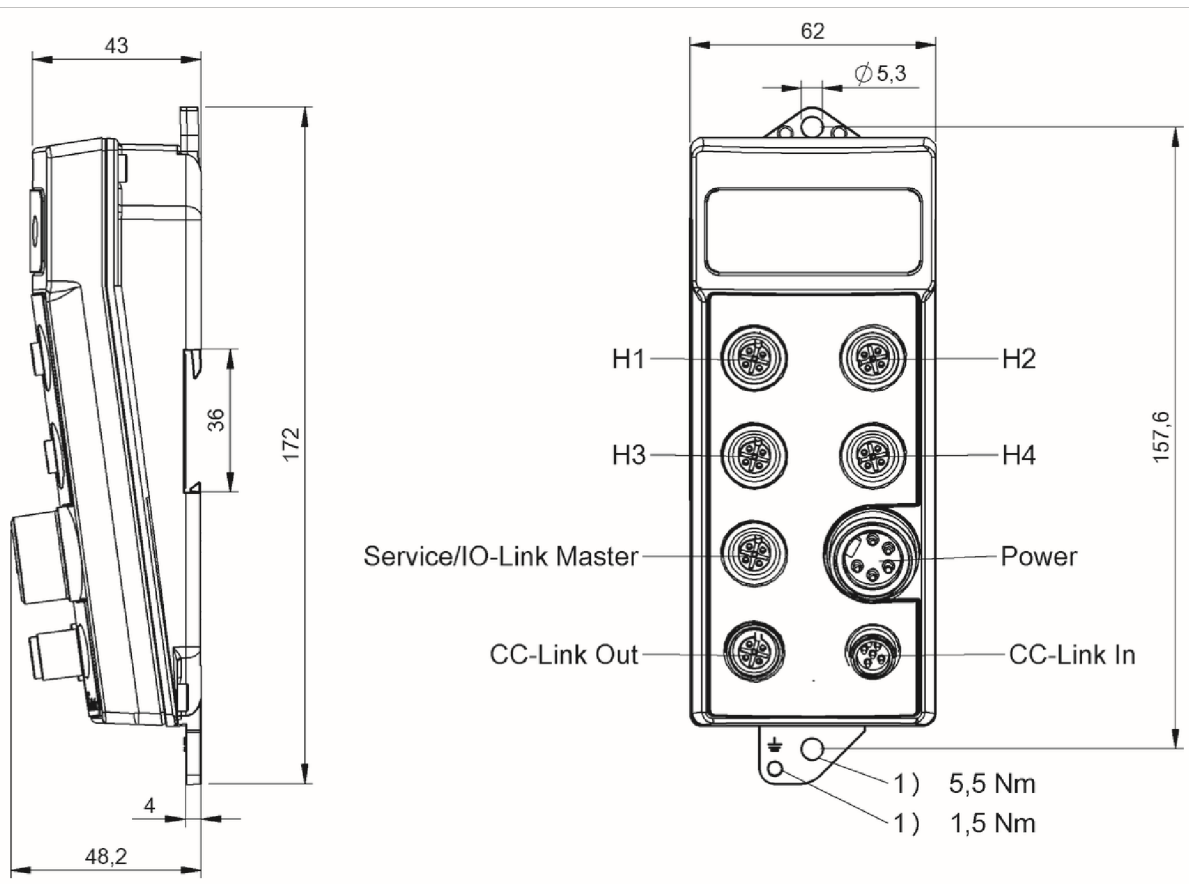
1) Tightening torque

**BIS013U, BIS013W**



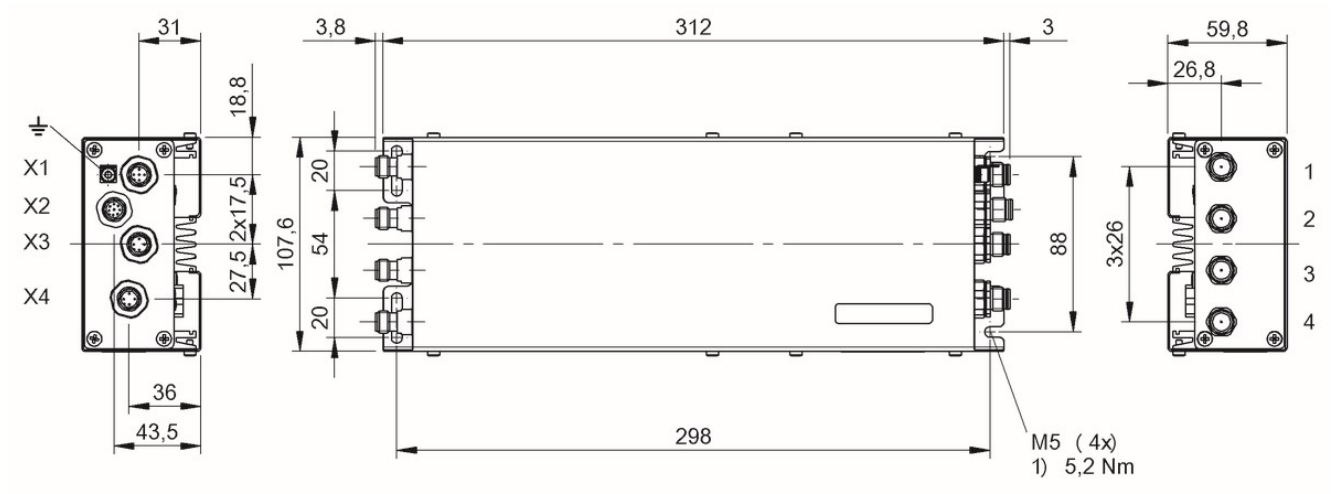
1) Tightening torque

**BISO0U9, BISO147**

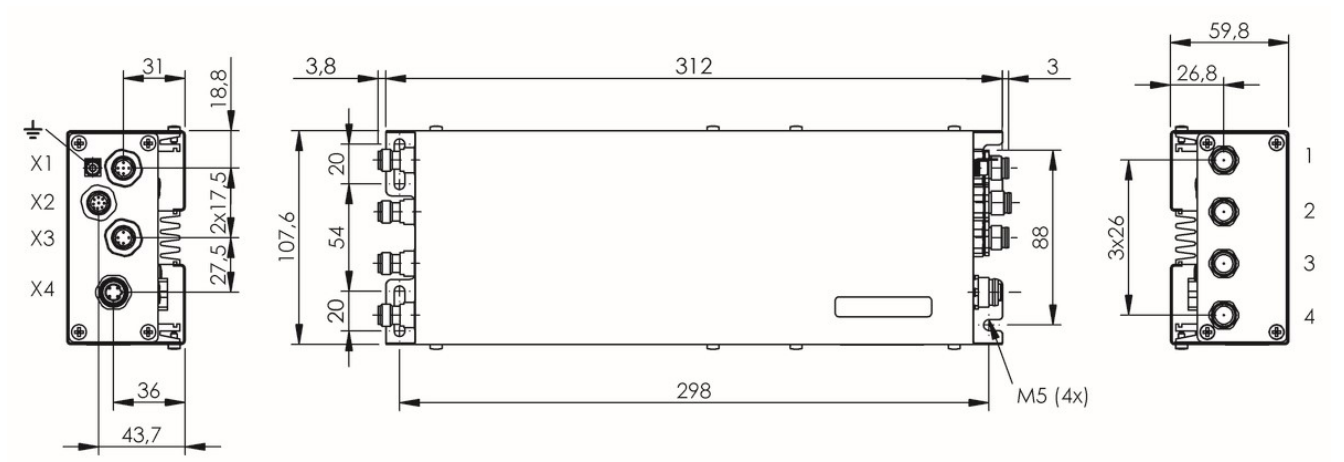


1) Tightening torque

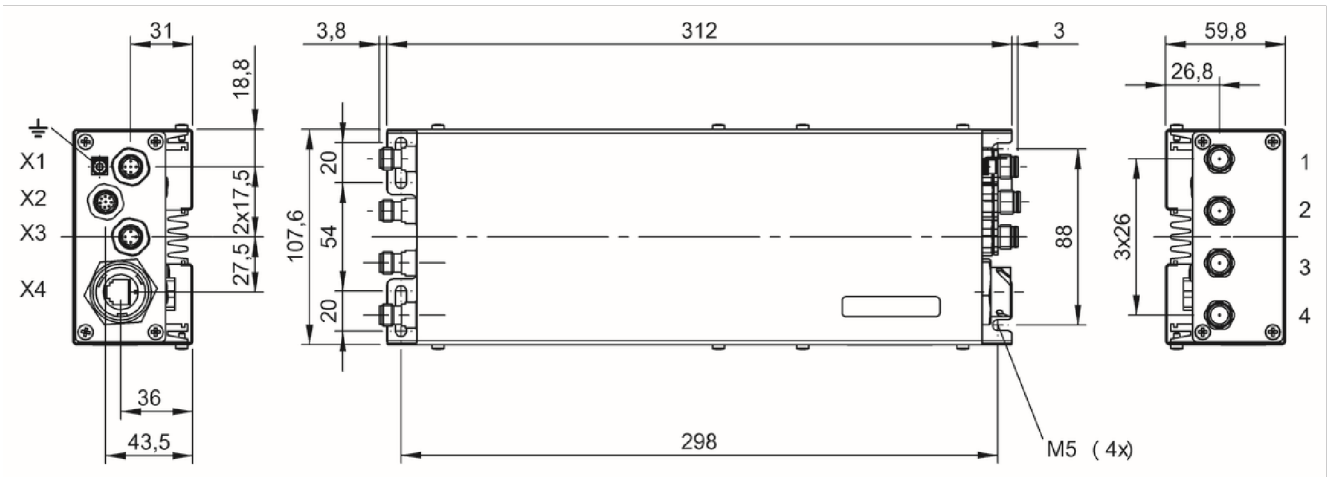
**BISO10P, BISO14E**



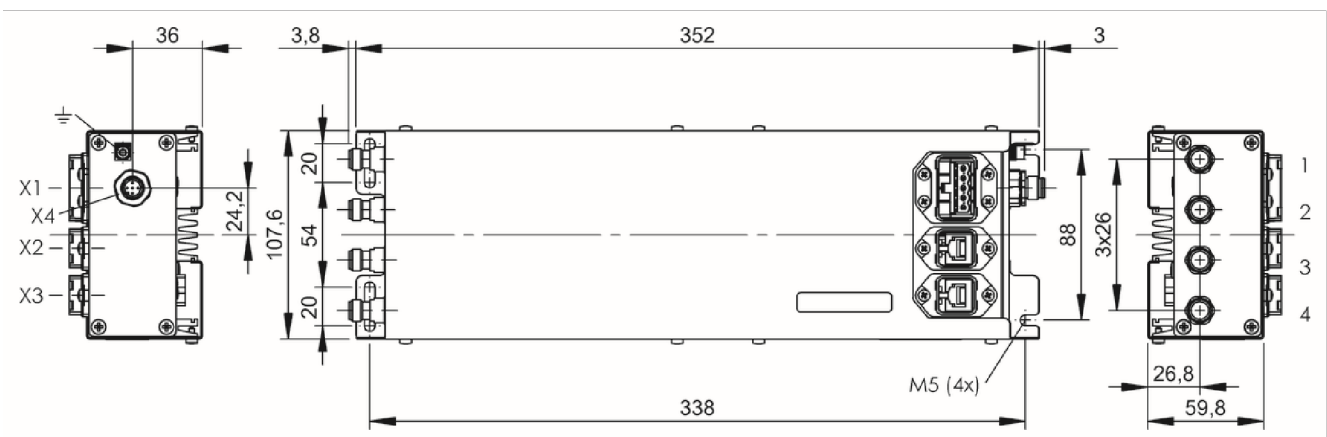
BIS00M7, BIS00R2, BIS00UM



BIS013J, BIS018N

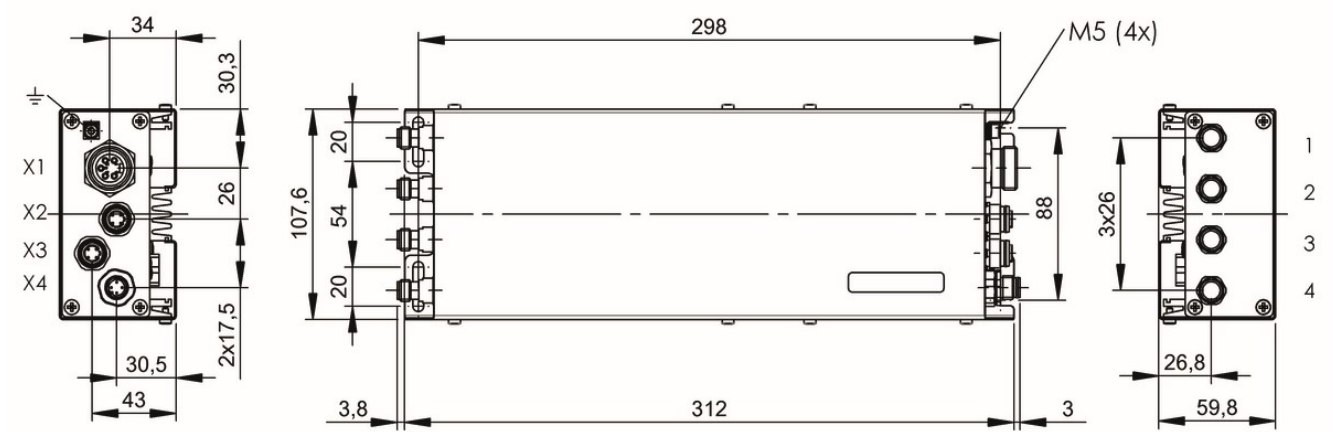


BIS00NA, BIS00R1, BIS012R, BIS00UN, BIS00UR, BIS012T, BIS014H

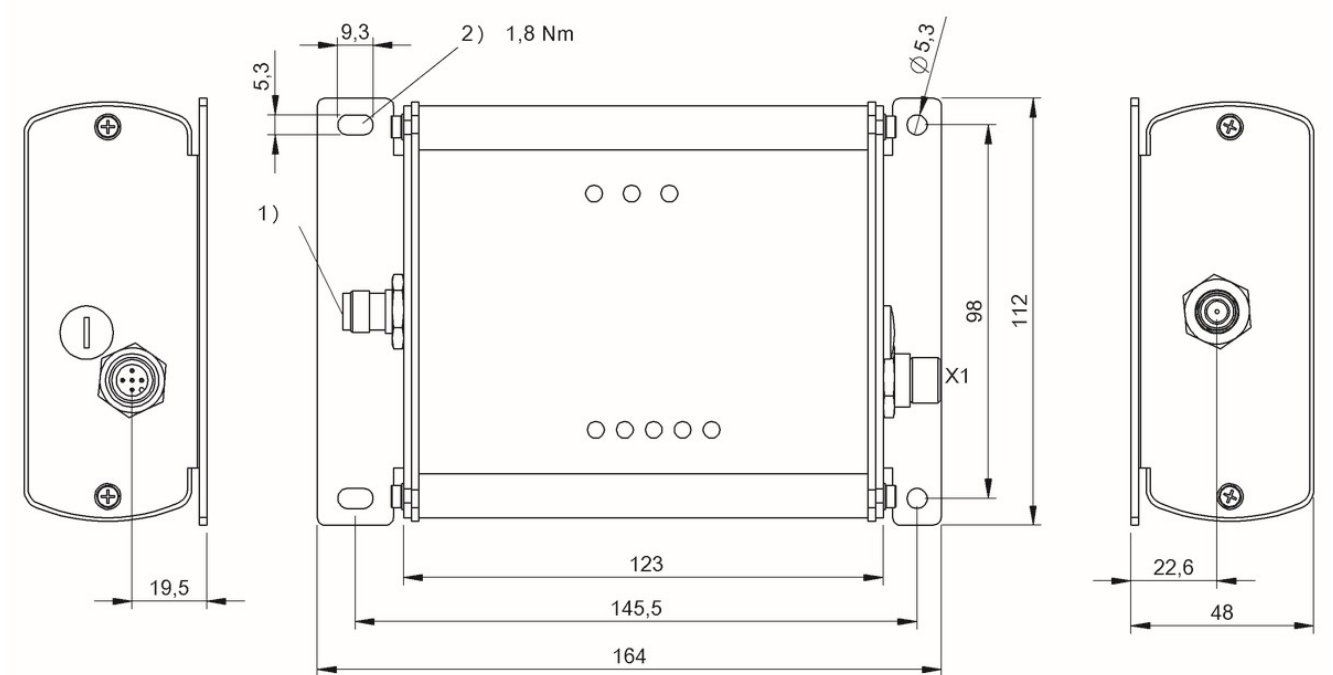


BIS012Y



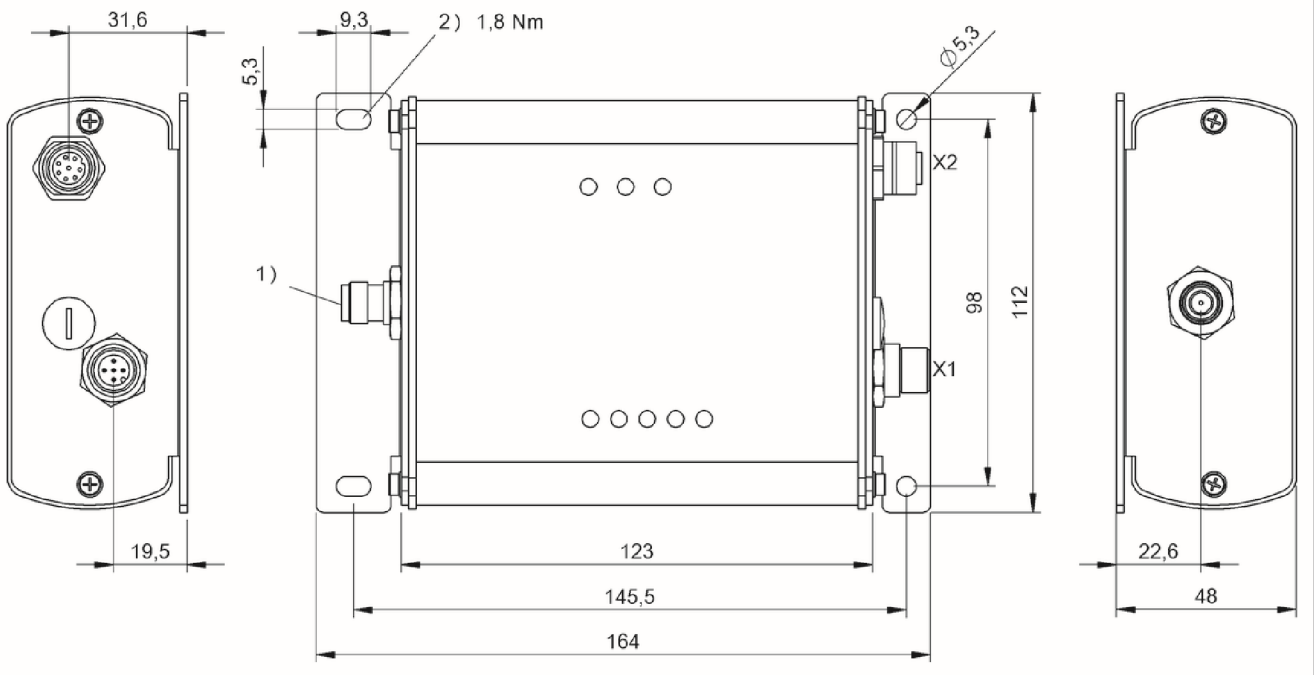


BIS00ZU, BIS00ZW, BIS017J, BIS0152



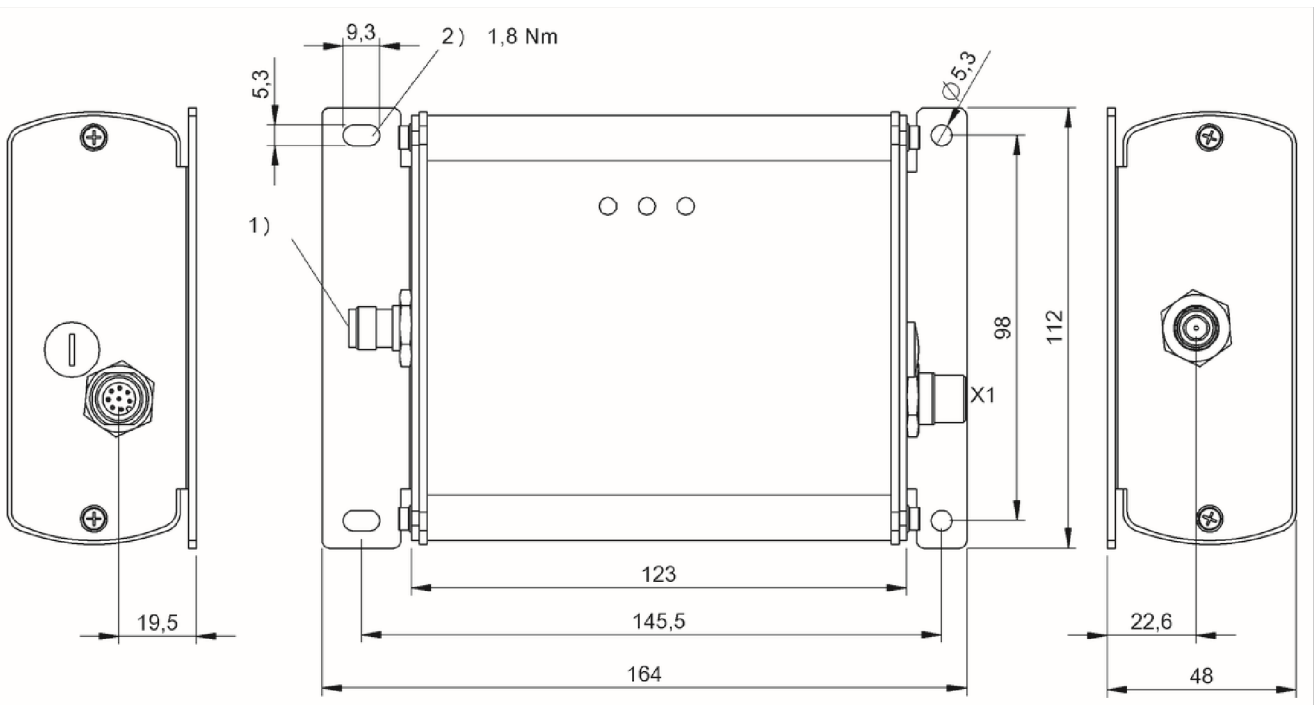
1) Antenna, 2) Tightening torque

BIS00Z9, BIS00Z7



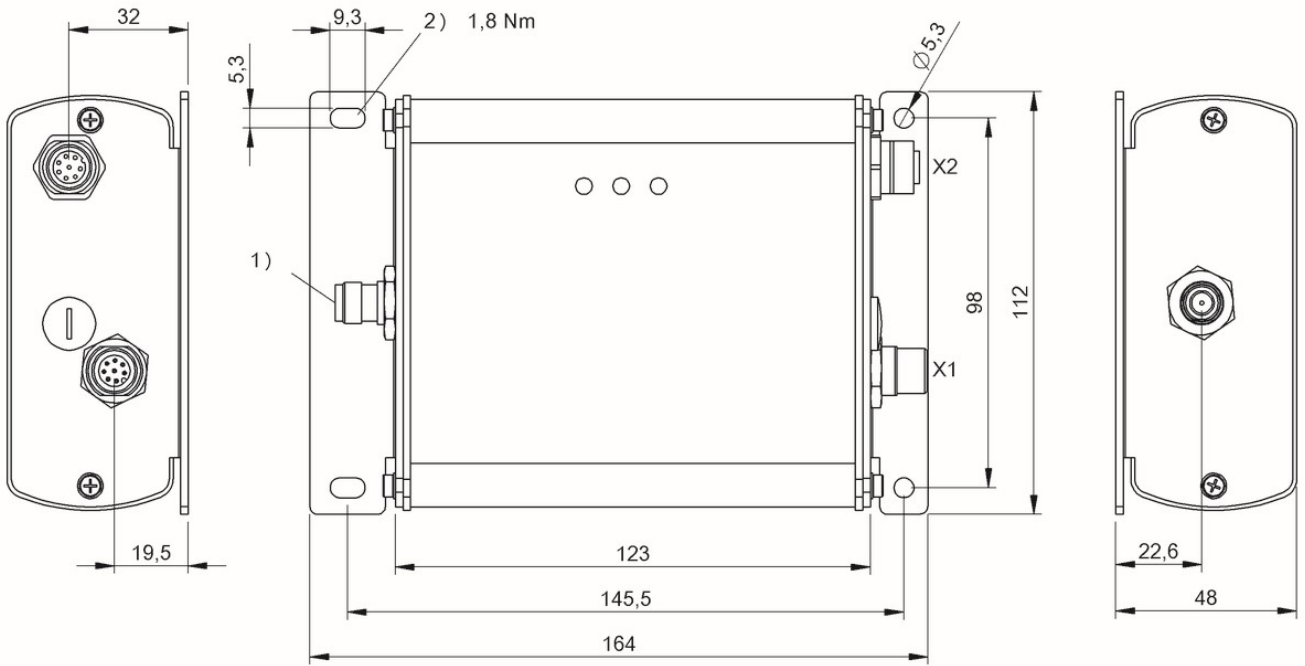
1) Antenna, 2) Tightening torque

**BISO028, BISO026**



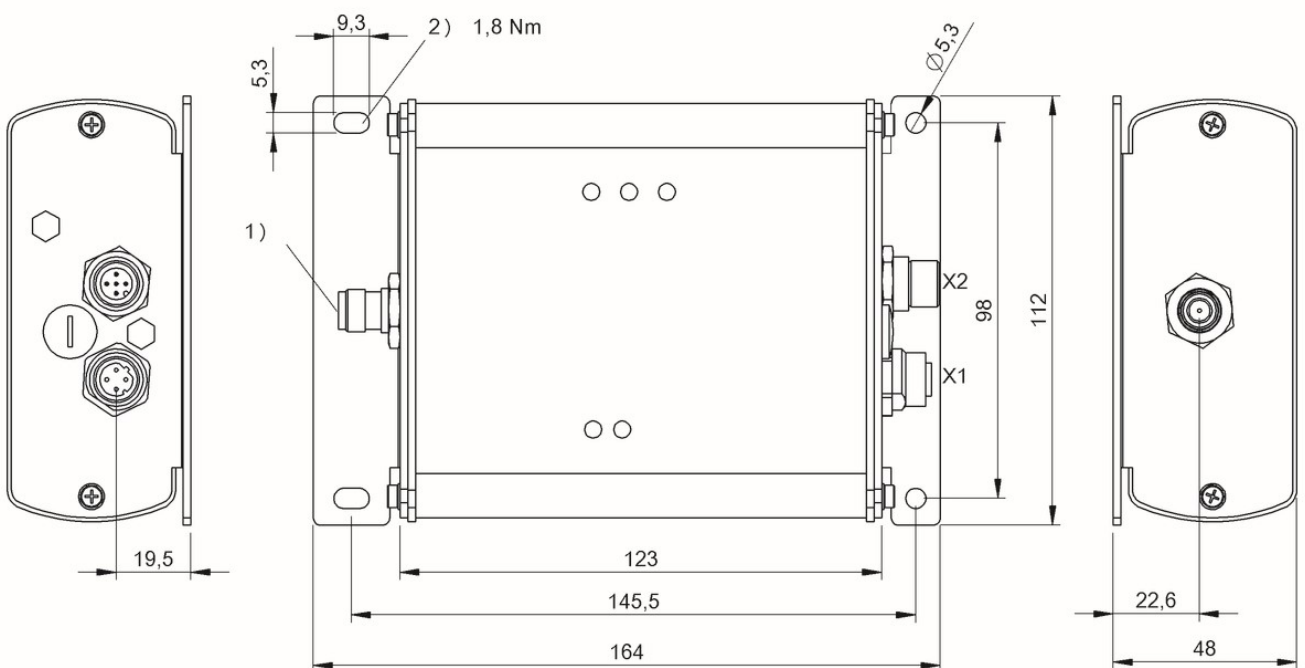
1) Antenna, 2) Tightening torque

**BISO025, BISO023**



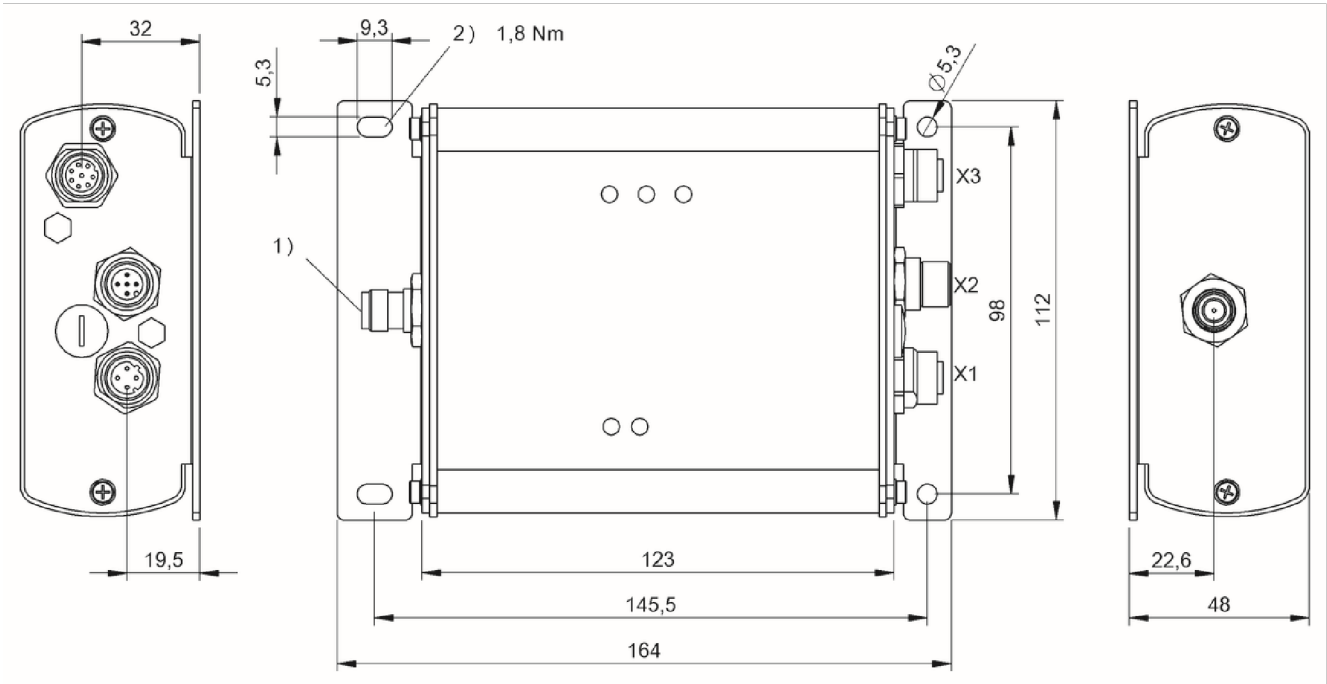
1) Antenna, 2) Tightening torque

**BISO0Z4, BISO0Z2**



1) Antenna, 2) Tightening torque

**BISO0Z1, BISO0YZ**



1) Antenna, 2) Tightening torque

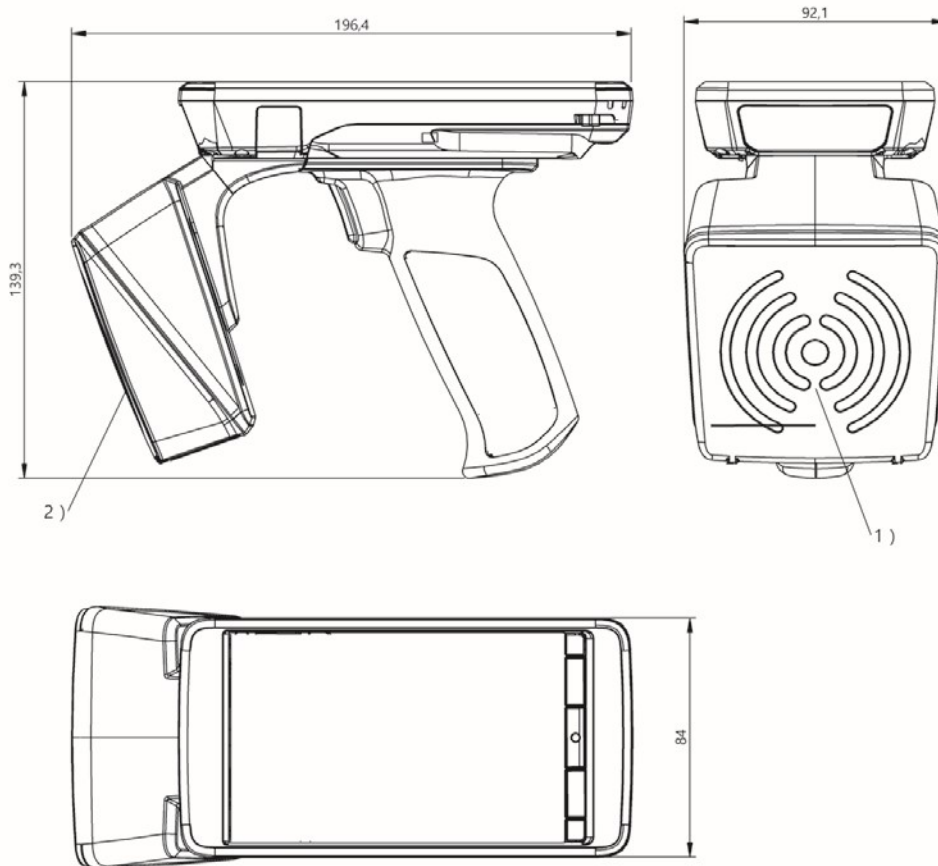
**BIS00Z0, BIS00YY**



	<b>BAE0100</b> BIS U-890-2-020-X-005	<b>BAE0101</b> BIS U-890-2-020-X-005-1	
Product Group	UHF (860...960 MHz)	UHF (860...960 MHz)	
Radio license	Europe	USA, Canada	
Product name	WLAN + 2D	WLAN + 2D	
Dimension	91 x 196 x 135 mm	91 x 196 x 135 mm	
Antenna type	Cross dipole	Cross dipole	
Display	4.3" Touchscreen display (color): 800x480 VGA resolution 262,000 colors	4.3" Touchscreen display (color): 800x480 VGA resolution 262,000 colors	
Keypad	5 buttons	5 buttons	
Operating voltage U <sub>b</sub>	—	—	
Storage temperature	-20...60 °C	-20...60 °C	
Ambient temperature	-20...55 °C	-20...55 °C	
Protection degree	IP54	IP54	
Approval/Conformity	CE, ETSI EN 302 208	FCC, IC	
Productview	Page 74	Page 74	

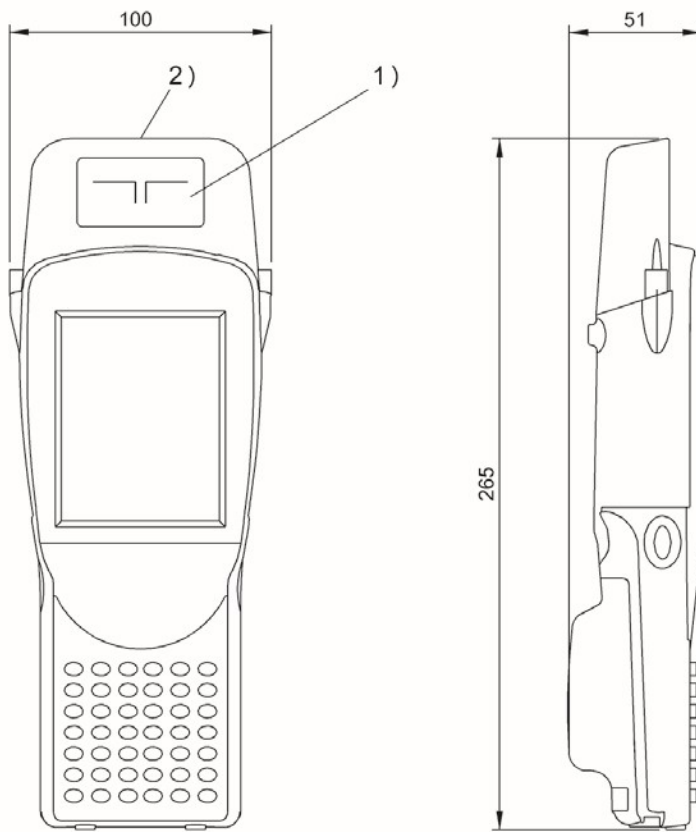


<b>BAE0102</b> BIS U-890-2-020-X-005-2	<b>BAE00J8</b> BIS U-870-1-008-X-001	<b>BAE00W7</b> BIS U-870-1-008-X-001-1	<b>BAE00LK</b> BIS U-870-1-008-X-005
UHF (860...960 MHz)	UHF (860...960 MHz)	UHF (860...960 MHz)	UHF (860...960 MHz)
China	—	—	—
WLAN + 2D	WLAN	WLAN	WLAN + 2D
91 x 196 x 135 mm	100 x 51 x 265 mm	100 x 51 x 265 mm	100 x 69 x 265 mm
Cross dipole	Dipol	Dipol	Dipol
4.3" Touchscreen display (color): 800x480 VGA resolution 262,000 colors	TFT Touchscreen-display (color): 480x640 VGA resolution	TFT Touchscreen-display (color): 480x640 VGA resolution	TFT Touchscreen-display (color): 480x640 VGA resolution
5 buttons	52 keys, alphanumeric	52 keys, alphanumeric	52 keys, alphanumeric
—	3.7 V DC rechargeable battery pack	3.7 V DC rechargeable battery pack	3.7 V DC rechargeable battery pack
-20...60 °C	-40...60 °C	-40...60 °C	-40...60 °C
-20...55 °C	-10...50 °C	-10...50 °C	-10...50 °C
IP54	IP65	IP65	IP65
CMIIT-Radio Transmiss. Equipm.	CE, ETSI EN 302 208	FCC Part 15, IC RSS-210	CE, ETSI EN 302 208
Page 74	Page 74	Page 74	Page 75



1) Sensing surface, 2) See data for antenna form

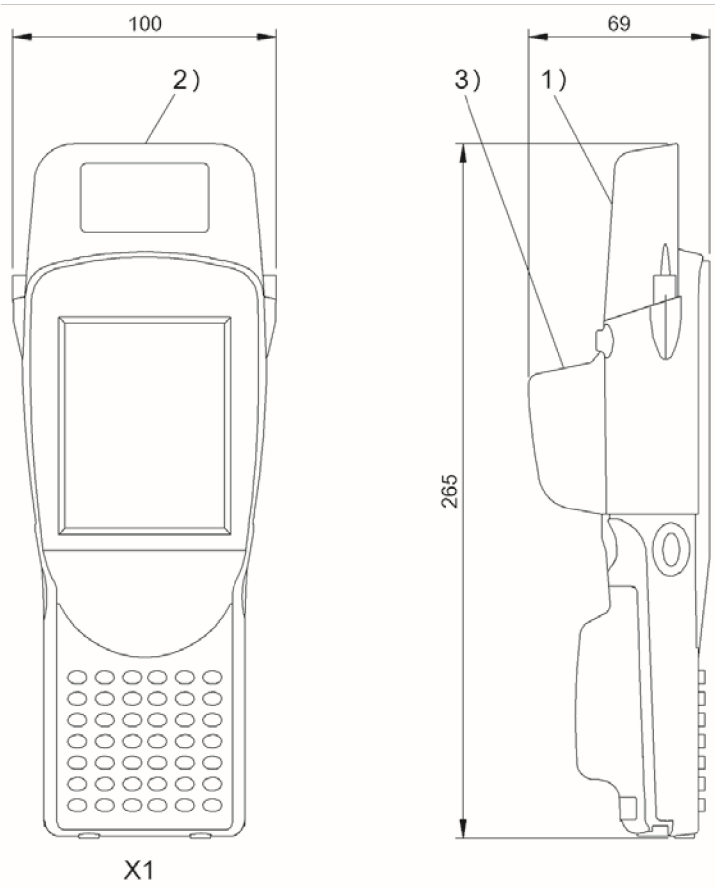
**BAE0100, BAE0101, BAE0102**



X1

1) Sensing surface, 2) See data for antenna form

**BAE00J8, BAE00W7**



1) Sensing surface, 2) See data for antenna form, 3) Barcode 2D-Scanner

**BAE00LK**