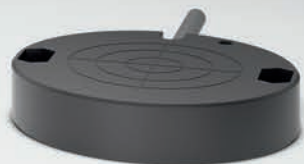




Object and level detection with patented technology

# CAPACITIVE SENSORS



Balluff's capacitive sensors detect fluids, granulates and powders in direct contact or through a non-metallic container wall. As stick-on sensors, they fit flexibly to the housing shape and are easily removable. Moisture, foam and deposits of any kind are compensated for, even through glass and plastic walls up to 10 mm thick. This makes them ideal as level detection sensors for conductive media while guaranteeing high application security.

Our capacitive sensors are available in various form factors, even especially small ones.

#### The most important benefits

- Contact-free and therefore wear-free
- Bounceless output signal
- Foam and residue compensation



PNP normally open	<b>BCS001L</b> BCS G06T4E1-PSM15C-EP02	<b>BCS001R</b> BCS G06T4D2-PSM15C-S49G	
Dimension	Ø 6.5 x 42 mm	Ø 6.5 x 54 mm	
Series	G06	G06	
Thread (A)	—	—	
Installation	for flush mounting	for flush mounting	
Connection	Cable, 2.00 m, PUR	Connector, M8x1 connector, 3-pin	
Switching frequency	100 Hz	100 Hz	
Interface	—	—	
Range	0.1...1.5 mm	0.1...1.5 mm	
Sensitivity	Switching distance adjustable	Switching distance adjustable	
Housing material	Stainless steel (1.4301)	Stainless steel (1.4301)	
Material sensing surface	PTFE	PTFE	
Ambient temperature	-10...70 °C	-10...70 °C	
Operating voltage U <sub>b</sub>	11...30 VDC	11...30 VDC	
Approval/Conformity	CE, cULus	CE, cULus	
Protection degree	IP65	IP65	
Productview	Page 304	Page 304	



	<b>BCS0026</b> BCS M08T4E1-PSM15C-EP02	<b>BCS002A</b> BCS M08T4E2-PSM15C-S49G	<b>BCS002T</b> BCS G10T4H-PSM40C-EP02	<b>BCS00PU</b> BCS M12BB11-PSC40D-EP02
	Ø 8 x 42 mm	Ø 8 x 54 mm	Ø 10 x 50 mm	Ø 12 x 61 mm
	M08	M08	G10	M12
	M8x1	M8x1	—	M12x1
	for flush mounting	for flush mounting	for flush mounting	for flush mounting
	Cable, 2.00 m, PUR	Connector, M8x1 connector, 3-pin	Cable, 2.00 m, PUR	Cable, 2.00 m, PUR
	100 Hz	100 Hz	100 Hz	100 Hz
	—	—	—	—
	0.1...1.5 mm	0.1...1.5 mm	1...4 mm	1...4 mm
	Switching distance adjustable	Switching distance adjustable	Switching distance adjustable	Switching distance adjustable
	Stainless steel (1.4301)	Stainless steel (1.4301)	Stainless steel (1.4301)	PBT
	PTFE	PTFE	PTFE	PBT
	-10...70 °C	-10...70 °C	-30...70 °C	-25...85 °C
	11...30 VDC	11...30 VDC	12...35 VDC	10...30 VDC
	CE, cULus	CE, cULus	CE, cULus	CE, cULus
	IP65	IP65	IP65	IP67
	Page 304	Page 304	Page 304	Page 304



PNP normally open	<b>BCS00PJ</b> BCS M12BBG2-PSC40D-S04K	<b>BCS00AU</b> BCS M12TTG1-PSM40C-ET02	
Dimension	Ø 12 x 75 mm	Ø 12 x 50 mm	
Series	M12	M12	
Thread (A)	M12x1	M12x1	
Installation	for flush mounting	for flush mounting	
Connection	Connector, M12x1 connector, 4-pin	Cable, 2.00 m, PUR	
Switching frequency	100 Hz	100 Hz	
Interface	—	—	
Range	1...4 mm	4 mm	
Sensitivity	Switching distance adjustable	—	
Housing material	PBT	PTFE	
Material sensing surface	PBT	PTFE	
Ambient temperature	-25...85 °C	-30...60 °C	
Operating voltage U <sub>b</sub>	10...30 VDC	12...35 VDC	
Approval/Conformity	CE, cULus	CE, cULus	
Protection degree	IP67	IP65	
Productview	Page 304	Page 304	



	<b>BCS00R4</b> BCS M12B4I1-PSC40D-EP02	<b>BCS00P0</b> BCS M12B4G2-PSC40D-S04K	<b>BCS002Z</b> BCS M12T4G1-PSM40C-EP02	<b>BCS0037</b> BCS M12T4D2-PSM40C-S04G
	Ø 12 x 61 mm	Ø 12 x 75 mm	Ø 12 x 50 mm	Ø 12 x 60 mm
	M12	M12	M12	M12
	M12x1	M12x1	M12x1	M12x1
	for flush mounting	for flush mounting	for flush mounting	for flush mounting
	Cable, 2.00 m, PUR	Connector, M12x1 connector, 4-pin	Cable, 2.00 m, PUR	Connector, M12x1 connector, 4-pin
	100 Hz	100 Hz	100 Hz	100 Hz
	—	—	—	—
	1...4 mm	1...4 mm	1...4 mm	1...4 mm
	Switching distance adjustable	Switching distance adjustable	Switching distance adjustable	Switching distance adjustable
	Stainless steel (1.4305)	Stainless steel (1.4305)	Stainless steel (1.4301)	Stainless steel (1.4301)
	PBT	PBT	PTFE	PTFE
	-25...85 °C	-25...85 °C	-30...70 °C	-30...70 °C
	10...30 VDC	10...30 VDC	12...35 VDC	12...35 VDC
	CE, cULus	CE, cULus	CE, cULus	CE, cULus
	IP67	IP67	IP65	IP65
	Page 305	Page 305	Page 305	Page 305



PNP normally open	<b>BCS00NZ</b> BCS M18BBN1-PSC80D-EP02	<b>BCS00M8</b> BCS M18BBI3-PSC80D-S04K	
NPN normally open	<b>BCS00M2</b> BCS M18BBN1-NSC80D-EP02		
Dimension	Ø 18 x 75 mm	Ø 18 x 88.5 mm	
Series	M18	M18	
Thread (A)	M18x1	M18x1	
Installation	for flush mounting	for flush mounting	
Connection	Cable, 2.00 m, PUR	Connector, M12x1 connector, 4-pin	
Switching frequency	100 Hz	100 Hz	
Interface	—	—	
Range	1...8 mm	1...8 mm	
Sensitivity	Switching distance adjustable	Switching distance adjustable	
Housing material	PBT	PBT	
Material sensing surface	PBT	PBT	
Ambient temperature	-25...85 °C	-25...85 °C	
Operating voltage U <sub>b</sub>	10...30 VDC	10...30 VDC	
Approval/Conformity	CE, cULus	CE, cULus	
Protection degree	IP67	IP67	
Productview	Page 305	Page 305	



	<b>BCS00MF</b> BCS M18B4I3-PSC80D-S04K	<b>BCS003H</b> BCS D22T403-PSM60C-EP02	<b>BCS00HK</b> BCS D22T402-PSM60C-EP02	<b>BCS0033</b> BCS D22V4M1-PSC10C-EV02
	Ø 18 x 88.5 mm	Ø 22 x 4 mm	Ø 22 x 16 mm	Ø 22 x 65 mm
	M18	D22	D22	D22
	M18x1	—	—	—
	for flush mounting	for flush mounting	for flush mounting	for flush mounting
	Connector, M12x1 connector, 4-pin	Cable, 2.00 m, PUR	Cable, 2.00 m, PUR	Cable, 2.00 m, PVC
	100 Hz	100 Hz	100 Hz	100 Hz
	—	—	—	—
	1...8 mm	5.4...6.6 mm	5.4...6.6 mm	2...10 mm
	Switching distance adjustable	—	—	Switching distance adjustable
	Stainless steel (1.4305)	Stainless steel (1.4301)	Stainless steel (1.4301)	Stainless steel (1.4301)
	PBT	PTFE	PTFE	PVC
	-25...85 °C	-30...70 °C	-30...70 °C	-30...60 °C
	10...30 VDC	12...30 VDC	12...30 VDC	10...35 VDC
	CE, cULus	CE, cULus	CE	CE, cULus
	IP67	IP64	IP64	IP67
	Page 305	Page 305	Page 306	Page 306





PNP normally open	<b>BCS003A</b> BCS D30T401-PSC15C-EP02		
PNP normally open/normally closed programmable		<b>BCS004H</b> BCS D30B4M3-PPC20C-EP02	
NPN normally open	<b>BCS003E</b> BCS D30T401-NSC15C-EP02		
NPN normally closed	<b>BCS003F</b> BCS D30T401-NOC15C-EP02		
Dimension	Ø 30 x 4 mm	Ø 30 x 82 mm	
Series	D30	D30	
Thread (A)	—	—	
Installation	for flush mounting	for flush mounting	
Connection	Cable, 2.00 m, PUR	Cable, 2.00 m, PUR	
Switching frequency	100 Hz	100 Hz	
Interface	—	—	
Range	2...15 mm	2...20 mm	
Sensitivity	Switching distance adjustable	Switching distance adjustable	
Housing material	Stainless steel (1.4301)	Stainless steel (1.4301)	
Material sensing surface	PTFE	PBT	
Ambient temperature	-30...70 °C	-30...70 °C	
Operating voltage U <sub>b</sub>	10...35 VDC	10...35 VDC	
Approval/Conformity	CE, cULus	CE, cULus	
Protection degree	IP67	IP66	
Productview	Page 306	Page 306	



	<b>BCS00NM</b> BCS M30BBI1-PSC15D-EP02	<b>BCS00NA</b> BCS M30BBI2-PSC15D-S04K		
			<b>BCS004K</b> BCS M30BBM3-PPC20C-EP02	<b>BCS004M</b> BCS M30BBM2-PPM20C-S04G
	Ø 30 x 65.5 mm	Ø 30 x 79 mm	Ø 30 x 82 mm	Ø 30 x 87 mm
	M30	M30	M30	M30
	M30x1.5	M30x1.5	M30x1.5	M30x1.5
	for flush mounting	for flush mounting	for flush mounting	for flush mounting
	Cable, 2.00 m, PUR	Connector, M12x1 connector, 4-pin	Cable, 2.00 m, PUR	Connector, M12x1 connector, 4-pin
	100 Hz	100 Hz	100 Hz	100 Hz
	—	—	—	—
	2...15 mm	2...15 mm	1...20 mm	1...20 mm
	Switching distance adjustable	Switching distance adjustable	Switching distance adjustable	Switching distance adjustable
	PBT	PBT	PBT	PBT
	PBT	PBT	PBT	PBT
	-25...85 °C	-25...85 °C	-30...70 °C	-30...70 °C
	10...30 VDC	10...30 VDC	10...35 VDC	10...35 VDC
	CE, cULus	CE, cULus	CE, cULus	CE, cULus
	IP67	IP67	IP66	IP66
	Page 306	Page 306	Page 306	Page 306

Sensors

RFID

Machine Vision and Optical Identification

Human Machine Interfaces

Systems

Safety

Industrial Networking

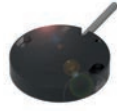
Power Supply

Connectivity

Accessories



PNP normally open	<b>BCS00MR</b> BCS M30B4I2-PSC15D-S04K		
PNP normally open/normally closed programmable		<b>BCS004T</b> BCS M30B4M2-PPM20C-S04G	
PNP/NPN normally open/normally closed programmable			
Dimension	Ø 30 x 79 mm	Ø 30 x 87 mm	
Series	M30	M30	
Thread (A)	M30x1.5	M30x1.5	
Installation	for flush mounting	for flush mounting	
Connection	Connector, M12x1 connector, 4-pin	Connector, M12x1 connector, 4-pin	
Switching frequency	100 Hz	100 Hz	
Interface	—	—	
Range	2...15 mm	1...20 mm	
Sensitivity	Switching distance adjustable	Switching distance adjustable	
Housing material	Stainless steel (1.4305) PBT	Stainless steel (1.4301)	
Material sensing surface	PBT	PBT	
Ambient temperature	-25...85 °C	-30...70 °C	
Operating voltage $U_b$	10...30 VDC	10...35 VDC	
Approval/Conformity	CE, cULus	CE, cULus	
Protection degree	IP67	IP66	
Productview	Page 307	Page 307	



	<b>BCS00UJ</b> BCS G3400I2-PSC15D-S04K			
		<b>BCS003K</b> BCS D500002-YPC25C-EV02		
	Ø 34 x 77 mm	Ø 50 x 10 mm		
	G34	D50		
	—	—		
	for flush mounting	for flush mounting		
	Connector, M12x1 connector, 4-pin	Cable, 2.00 m, PVC		
	100 Hz	50 Hz		
	—	—		
	2...15 mm	2...25 mm		
	Switching distance adjustable	Switching distance adjustable		
	POM	POM		
	POM	POM		
	-5...85 °C	—		
	10...30 VDC	10...30 VDC		
	CE, cULus	CE, cULus		
	IP67	IP67		
	Page 307	Page 307		

Sensors

RFID

Machine Vision and Optical Identification

Human Machine Interfaces

Systems

Safety

Industrial Networking

Power Supply

Connectivity

Accessories



PNP normally open	<b>BCS012N</b> BCS R08RRE-PIM80C-EP00,3-GS04	<b>BCS012T</b> BCS R08RRE-PSM80C-EP00,3-GS75	
PNP normally closed		<b>BCS012U</b> BCS R08RRE-POM80C-EP00,3-GS75	
NPN normally open		<b>BCS012W</b> BCS R08RRE-NSM80C-EP00,3-GS75	
NPN normally closed		<b>BCS012Y</b> BCS R08RRE-NOM80C-EP00,3-GS75	
PNP/NPN normally open/normally closed programmable			
Dimension	34 x 16 x 8 mm	34 x 16 x 8 mm	
Series	R08	R08	
Thread (A)	—	—	
Installation	for flush mounting	for flush mounting	
Connection	Cable with connector, M12x1 connector, 4-pin, 0.30 m, PUR	Cable with connector, 0.30 m, PUR	
Switching frequency	50 Hz	50 Hz	
Interface	IO-Link 1.1	—	
Range	1...8 mm	1...8 mm	
Sensitivity	Switching distance adjustable	Switching distance teachable	
Housing material	PP	PP	
Material sensing surface	PP	PP	
Ambient temperature	-25...70 °C	-25...70 °C	
Operating voltage $U_b$	18...30 VDC	12...30 VDC	
Approval/Conformity	UL Listed, CE, IO-Link	UL Listed, CE	
Protection degree	IP67	IP67	
Productview	Page 307	Page 307	



	<b>BCS012A</b> BCS R08RRE-PSM80C-EP02	<b>BCS00U6</b> BCS Q40BBAA-PSC20C-EP00,3-GS49		
	<b>BCS012C</b> BCS R08RRE-POM80C-EP02	<b>BCS00U5</b> BCS Q40BBAA-POC20C-EP00,3-GS49		
	<b>BCS012E</b> BCS R08RRE-NSM80C-EP02			
	<b>BCS012F</b> BCS R08RRE-NOM80C-EP02			
			<b>BCS00TR</b> BCS Q40BBAA-GPC20C-EP02	
	34 x 16 x 8 mm	40 x 40 x 10 mm	40 x 40 x 10 mm	
	R08	Q40	Q40	
	—	—	—	
	for flush mounting	for flush mounting	for flush mounting	
	Cable, 2.00 m, PUR	Cable with connector, M8x1 connector, 3-pin, 0.30 m, PUR	Cable, 2.00 m, PUR	
	50 Hz	100 Hz	100 Hz	
	—	—	—	
	1...8 mm	1...20 mm	1...20 mm	
	Switching distance teachable	Switching distance adjustable	Switching distance adjustable	
	PP	PBT	PBT	
	PP	PBT	PBT	
	-25...70 °C	-5...85 °C	-5...85 °C	
	12...30 VDC	10...30 VDC	10...30 VDC	
	CE, UL Listed	CE, cULus	CE, cULus	
	IP67	IP67	IP67	
	Page 307	Page 307	Page 308	

Sensors

RFID

Machine Vision and Optical Identification

Human Machine Interfaces

Systems

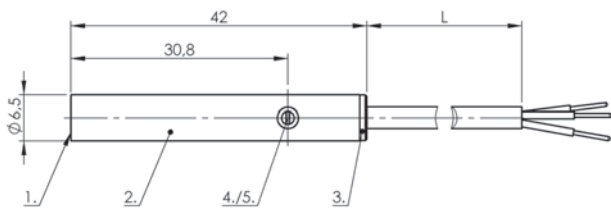
Safety

Industrial Networking

Power Supply

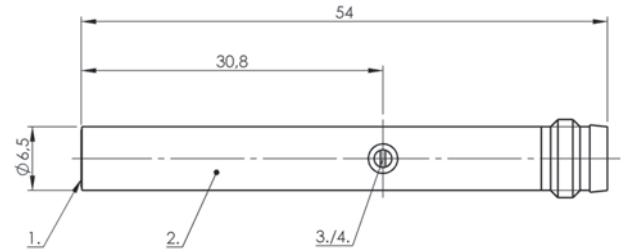
Connectivity

Accessories



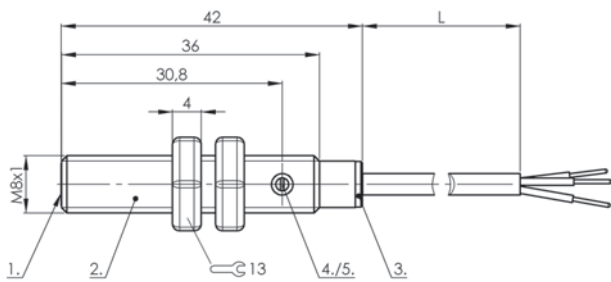
1) Sensing surface, 2) Housing, 3) Cover, 4) Potentiometer, 5) LED function indicator

**BCS001L**



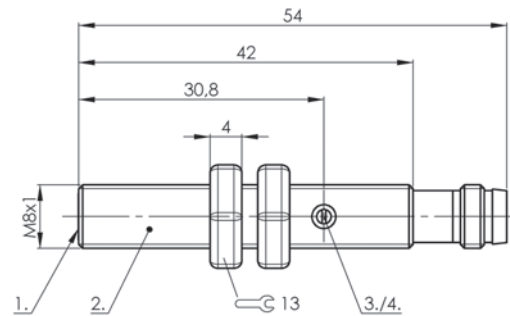
1) Sensing surface, 2) Housing, 3) Potentiometer, 4) LED function indicator

**BCS001R**



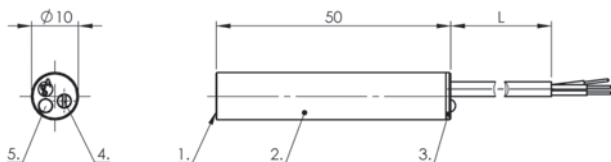
1) Sensing surface, 2) Housing, 3) Cover, 4) Potentiometer, 5) LED function indicator

**BCS0026**



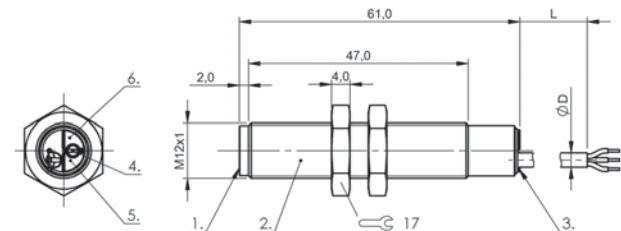
1) Sensing surface, 2) Housing, 3) Potentiometer, 4) LED function indicator

**BCS002A**



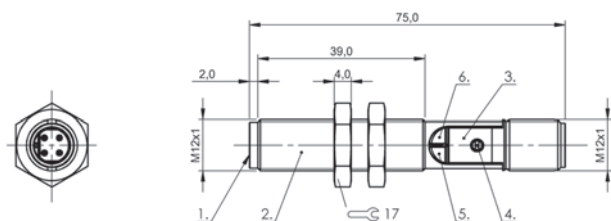
1) Sensing surface, 2) Housing, 3) Cover, 4) Potentiometer, 5) LED function indicator

**BCS002T**



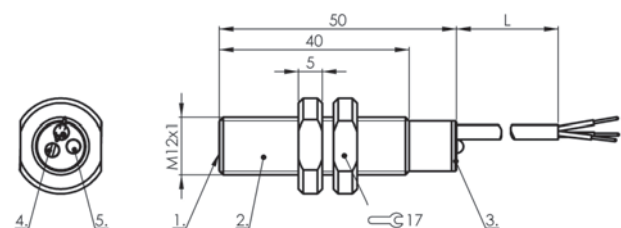
1) Sensing surface, 2) Housing, 3) Cover, 4) Potentiometer, 5) LED Power, 6) LED function indicator

**BCS00PU**



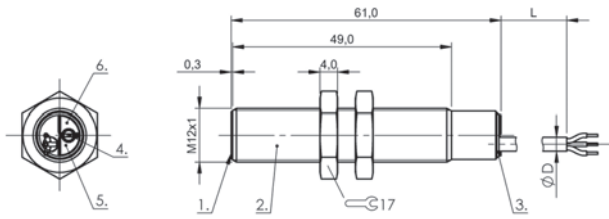
1) Sensing surface, 2) Housing, 3) Cover, 4) Potentiometer, 5) LED Power, 6) LED function indicator

**BCS00PJ**



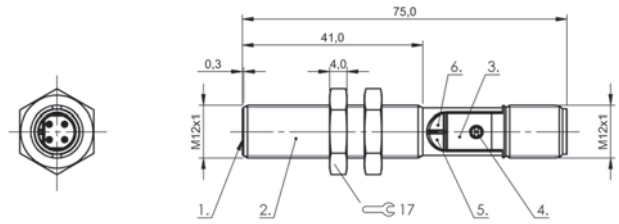
1) Sensing surface, 2) Housing, 3) Cover, 4) Potentiometer, 5) LED function indicator

**BCS00AU**



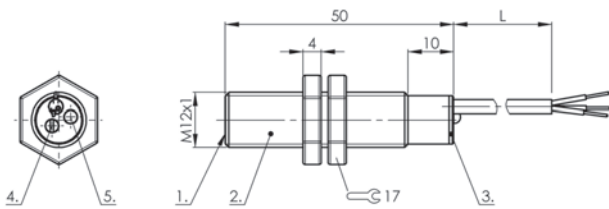
1) Sensing surface, 2) Housing, 3) Cover, 4) Potentiometer, 5) LED Power, 6) LED function indicator

**BCS00R4**



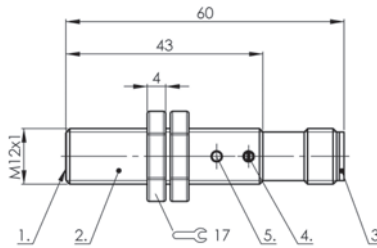
1) Sensing surface, 2) Housing, 3) Cover, 4) Potentiometer, 5) LED Power, 6) LED function indicator

**BCS00P0**



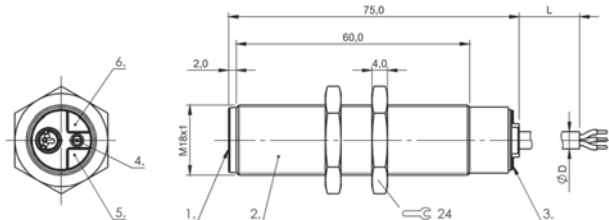
1) Sensing surface, 2) Housing, 3) Cover, 4) Potentiometer, 5) LED function indicator

**BCS00Z2**



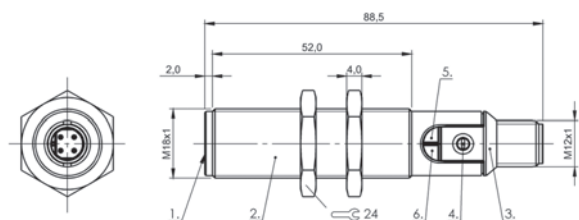
1) Sensing surface, 2) Housing, 3) Cover, 4) Potentiometer, 5) LED function indicator

**BCS0037**



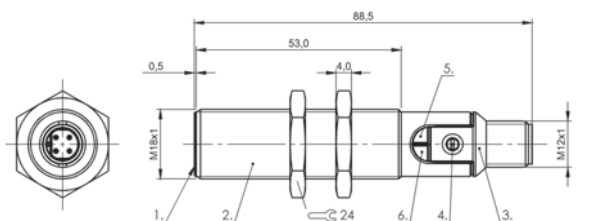
1) Sensing surface, 2) Housing, 3) Cover, 4) Potentiometer, 5) LED Power, 6) LED function indicator

**BCS00M2, BCS00NZ**



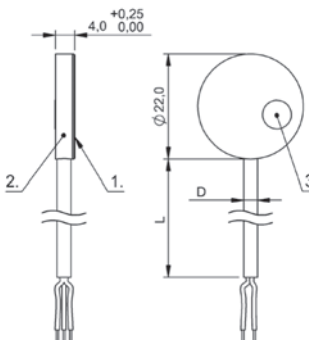
1) Sensing surface, 2) Housing, 3) Cover, 4) Potentiometer, 5) LED Power, 6) LED function indicator

**BCS00M8**



1) Sensing surface, 2) Housing, 3) Cover, 4) Potentiometer, 5) LED Power, 6) LED function indicator

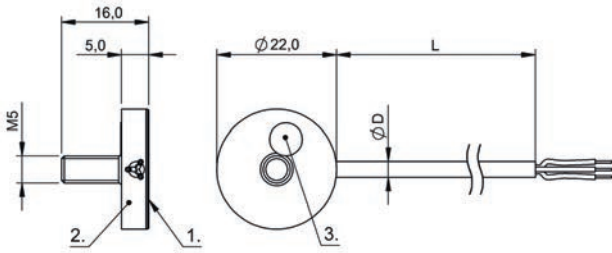
**BCS00MF**



1) Sensing surface, 2) Housing, 3) Potentiometer sealed

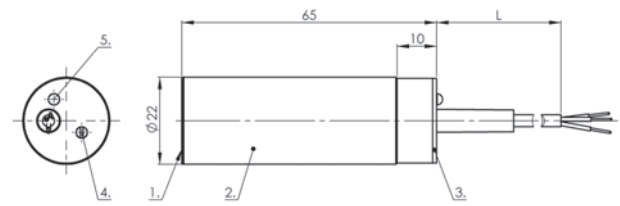
**BCS003H**





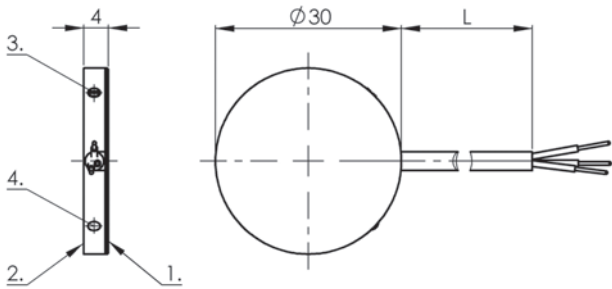
1) Sensing surface, 2) Housing, 3) Potentiometer sealed

**BCS00HK**



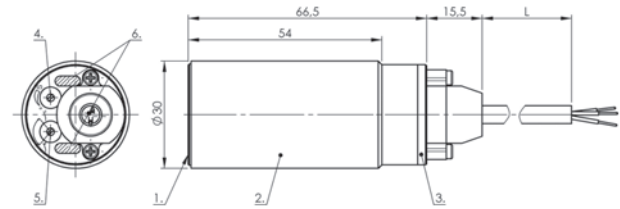
1) Sensing surface, 2) Housing, 3) Cover, 4) Potentiometer, 5) LED function indicator

**BCS0033**



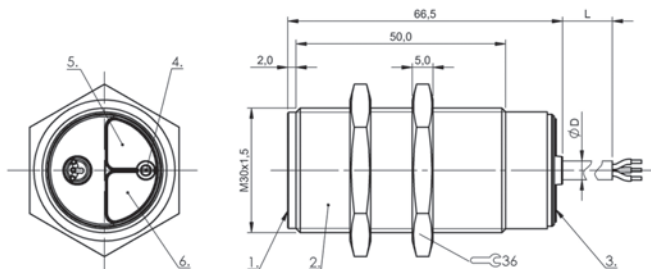
1) Sensing surface, 2) Housing, 3) Potentiometer, 4) LED function indicator

**BCS003E, BCS003F, BCS003A**



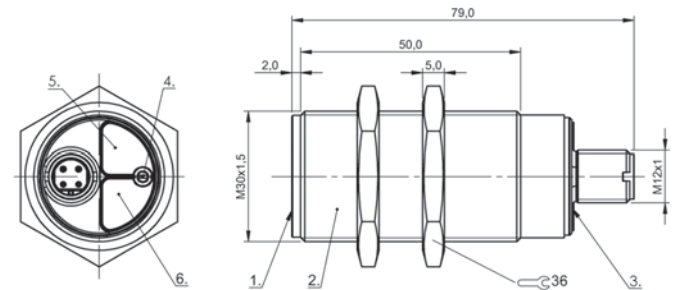
1) Sensing surface, 2) Housing, 3) Cover, 4) Potentiometer, 5) NO or NC selectable, 6) LED function indicator

**BCS004H**



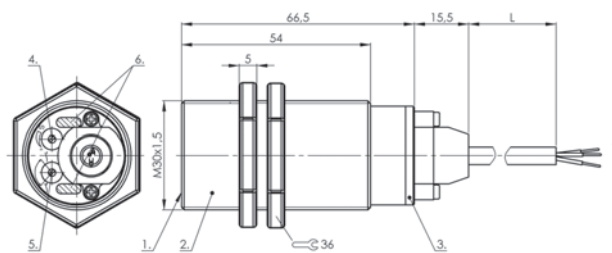
1) Sensing surface, 2) Housing, 3) Cover, 4) Potentiometer, 5) LED Power, 6) LED function indicator

**BCS00NM**



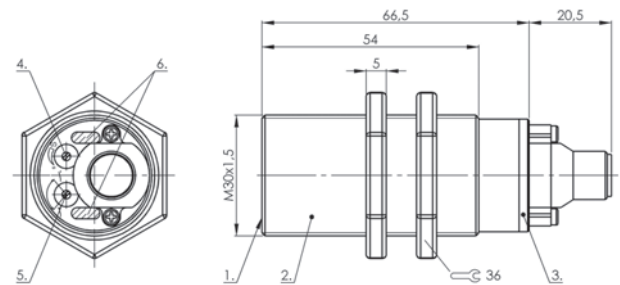
1) Sensing surface, 2) Housing, 3) Cover, 4) Potentiometer, 5) LED Power, 6) LED function indicator

**BCS00NA**



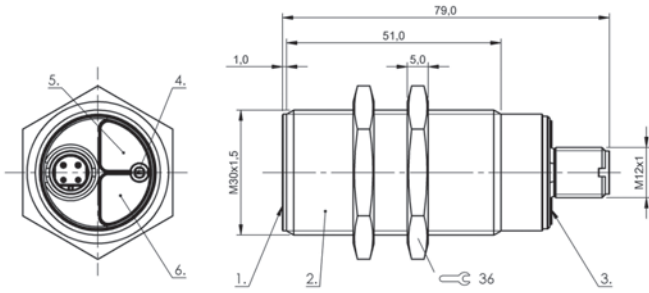
1) Sensing surface, 2) Housing, 3) Cover, 4) Potentiometer, 5) NO or NC selectable, 6) LED function indicator

**BCS004K**



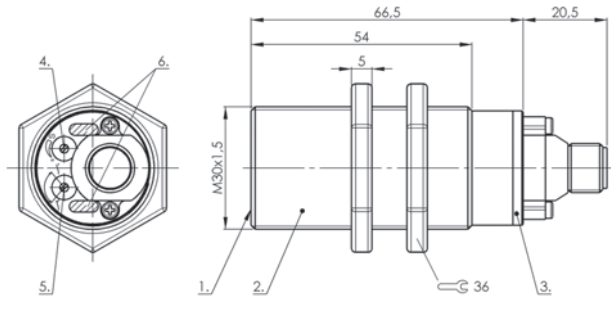
1) Sensing surface, 2) Housing, 3) Cover, 4) Potentiometer, 5) NO or NC selectable, 6) LED function indicator

**BCS004M**



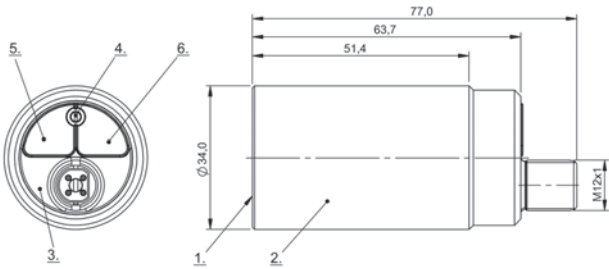
1) Sensing surface, 2) Housing, 3) Cover, 4) Potentiometer, 5) LED Power, 6) LED function indicator

**BCS00MR**



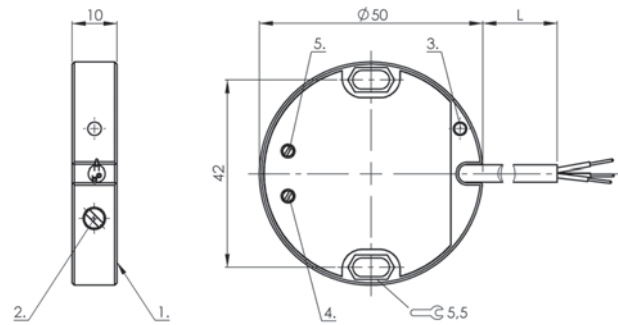
1) Sensing surface, 2) Housing, 3) Cover, 4) Potentiometer, 5) NO or NC selectable, 6) LED function indicator

**BCS004T**



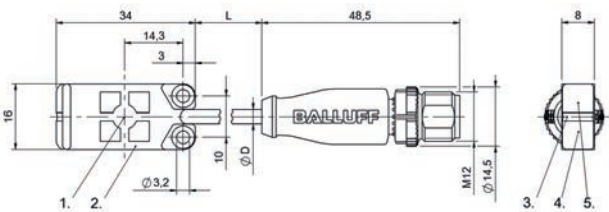
1) Sensing surface, 2) Housing, 3) Cover, 4) Potentiometer, 5) LED Power, 6) LED function indicator

**BCS00UJ**



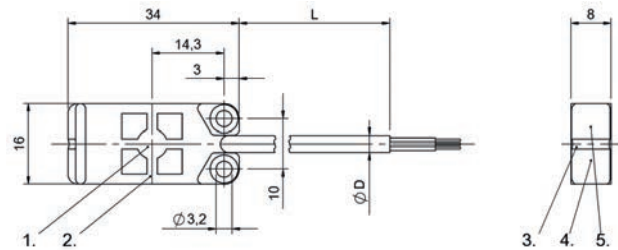
1) Sensing surface, 2) Potentiometer, 3) LED function indicator, 4) NO or NC selectable, 5) PNP or NPN selectable

**BCS003K**



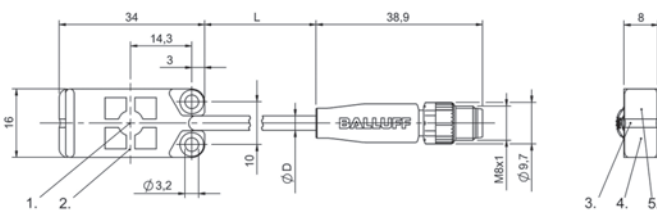
1) Sensing surface, 2) Housing, 3) Cover, 4) Power indicator green, 5) Function indicator yellow

**BCS012N**



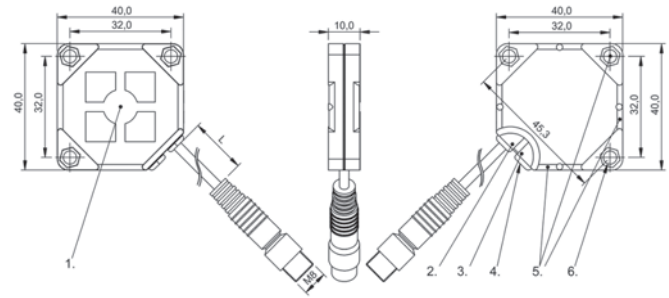
1) Sensing surface, 2) Housing, 3) Cover, 4) Power indicator green, 5) Function indicator yellow

**BCS012E, BCS012F, BCS012A, BCS012C**



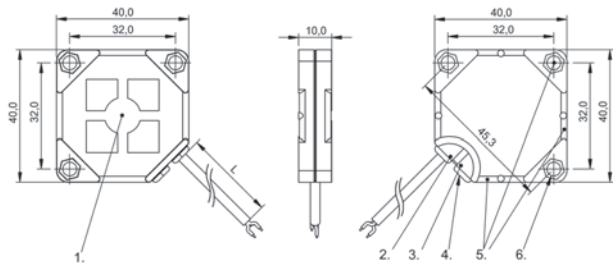
1) Sensing surface, 2) Housing, 3) Cover, 4) Power indicator green, 5) Function indicator yellow

**BCS012W, BCS012Y, BCS012T, BCS012U**



1) Sensing surface, 2) Power indicator green, 3) Function indicator yellow, 4) Potentiometer, 5) Fastening: Cable tie, 6) Fastening: screw 3xM3

**BCS00U6, BCS00U5**



1) Sensing surface, 2) Power indicator green, 3) Function indicator yellow, 4) Potentiometer, 5) Fastening: Cable tie, 6) Fastening: screw 3xM3

**BCS00TR**





PNP normally open		<b>BCS00UW</b> BCS D50TT06-PSCFSC-ET02	
PNP normally closed		<b>BCS00UY</b> BCS D50TT06-POCFSC-ET02	
PNP normally open/normally closed programmable	<b>BCS0084</b> BCS D500004-PPCFAC-EV02		
NPN normally open			
NPN normally closed			
Dimension	Ø 50 x 10 mm	Ø 50 x 10 mm	
Series	D50	D50	
Installation	flush with container outer wall	flush with container outer wall	
Connection	Cable, 2.00 m, PVC	Cable, 2.00 m, PTFE	
Switching frequency	2 Hz	2 Hz	
Interface	—	—	
Sensitivity	media-dependent, adjustable	media-dependent, adjustable	
Function	Smart Level 15	Smart Level 50	
Additional features	Electrically conductive media, Foam and residue compensation	Electrically conductive media, Foam and residue compensation	
Housing material	POM	PTFE	
Material sensing surface	POM	PTFE	
Ambient temperature	-10...60 °C	-10...60 °C	
Operating voltage $U_b$	10...35 VDC	10...35 VDC	
Approval/Conformity	CE, cULus	CE, cULus	
Protection degree	IP67	IP67	
Productview	Page 314	Page 314	



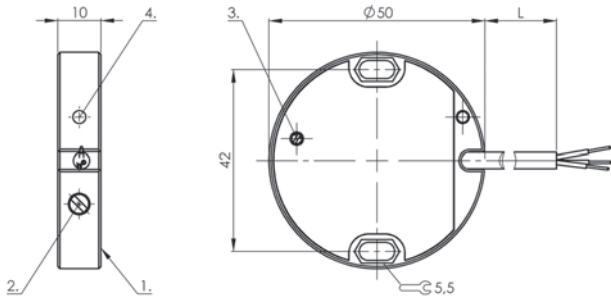
	<b>BCS012P</b> BCS R08RRE-PIMFHC-EP00,3-GS04	<b>BCS012Z</b> BCS R08RRE-PSMFHC-EP00,3-GS75	<b>BCS012H</b> BCS R08RRE-PSMFHC-EP02	
		<b>BCS0130</b> BCS R08RRE-POMFHC-EP00,3-GS75	<b>BCS012J</b> BCS R08RRE-POMFHC-EP02	
		<b>BCS0131</b> BCS R08RRE-NSMFHC-EP00,3-GS75	<b>BCS012K</b> BCS R08RRE-NSMFHC-EP02	
		<b>BCS0132</b> BCS R08RRE-NOMFHC-EP00,3-GS75	<b>BCS012L</b> BCS R08RRE-NOMFHC-EP02	
	34 x 16 x 8 mm	34 x 16 x 8 mm	34 x 16 x 8 mm	
	R08	R08	R08	
	flush with container outer wall	flush with container outer wall	flush with container outer wall	
	Cable with connector, M12x1 connector, 4-pin, 0.30 m, PUR	Cable with connector, M8x1 connector, 4-pin, 0.30 m, PUR	Cable, 4-pin, 2.00 m, PUR	
	10 Hz	10 Hz	10 Hz	
	IO-Link 1.1	—	—	
	teachable depending on media	teachable depending on media	teachable depending on media	
	Smart Level 50	Smart Level 50	Smart Level 50	
	Electrically conductive media, Foam and residue compensation	Electrically conductive media, Foam and residue compensation	Electrically conductive media, Foam and residue compensation	
	PP	PP	PP	
	PP	PP	PP	
	-25...70 °C	-25...75 °C	-25...75 °C	
	18...30 VDC	12...30 VDC	12...30 VDC	
	UL Listed, IO-Link, CE	UL Listed, CE	CE, UL Listed	
	IP67	IP67	IP67	
	Page 314	Page 314	Page 314	



PNP normally open	<b>BCS0134</b> BCS Q40BBAA-PSCFHC-EP00,3-GS49		
PNP normally closed	<b>BCS0135</b> BCS Q40BBAA-POCFHC-EP00,3-GS49		
PNP/NPN normally open/normally closed programmable		<b>BCS0133</b> BCS Q40BBAA-GPCFHC-EP02	
Dimension	40 x 40 x 10 mm	40 x 40 x 10 mm	
Series	Q40	Q40	
Installation	flush with container outer wall	flush with container outer wall	
Connection	Cable with connector, M8x1 connector, 3-pin, 0.30 m, PUR	Cable, 2.00 m, PUR	
Switching frequency	10 Hz	10 Hz	
Interface	—	—	
Sensitivity	media-dependent, adjustable	media-dependent, adjustable	
Function	Smart Level 50	Smart Level 50	
Additional features	Electrically conductive media, Foam and residue compensation	Electrically conductive media, Foam and residue compensation	
Housing material	PBT	PBT	
Material sensing surface	PBT	PBT	
Ambient temperature	-5...85 °C	-5...85 °C	
Operating voltage $U_b$	10...30 VDC	10...30 VDC	
Approval/Conformity	CE, cULus	CE, cULus	
Protection degree	IP67	IP67	
Productview	Page 314	Page 314	

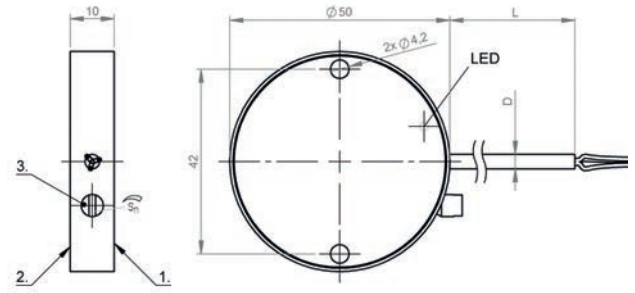






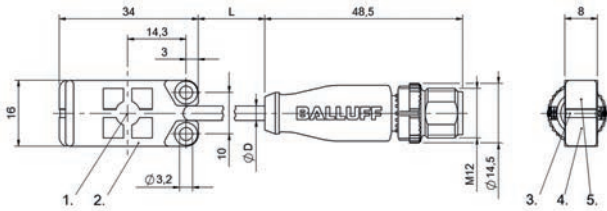
1) Sensing surface, 2) Potentiometer, 3) NO or NC selectable, 4) LED function indicator

**BCS0084**



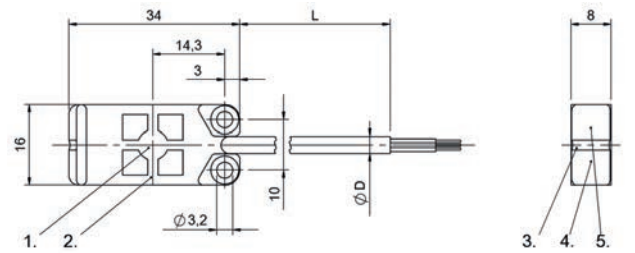
1) Sensing surface, 2) Housing, 3) Potentiometer, 4) LED function indicator

**BCS00UW, BCS00UY**



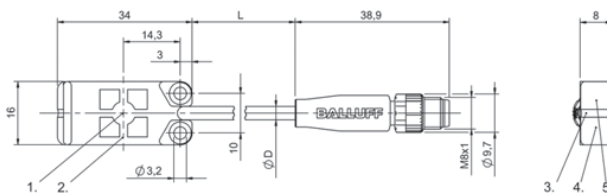
1) Sensing surface, 2) Housing, 3) Cover, 4) Power indicator green, 5) Function indicator yellow

**BCS012P**



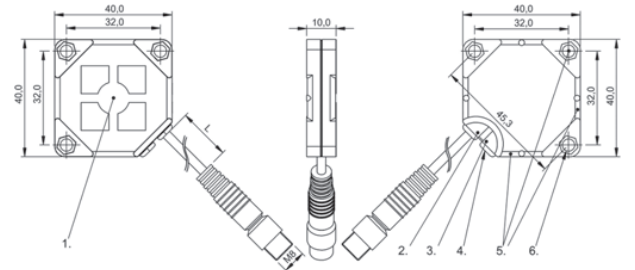
1) Sensing surface, 2) Housing, 3) Cover, 4) Power indicator green, 5) Function indicator yellow

**BCS012K, BCS012L, BCS012H, BCS012J**



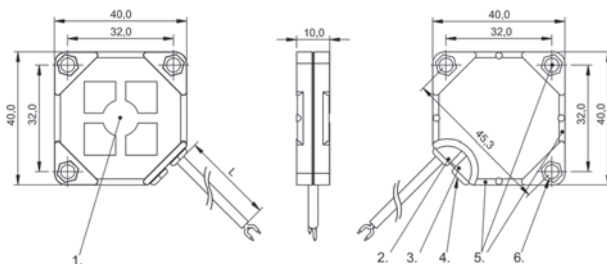
1) Sensing surface, 2) Housing, 3) Cover, 4) Power indicator green, 5) Function indicator yellow

**BCS0131, BCS0132, BCS012Z, BCS0130**



1) Sensing surface, 2) Power indicator green, 3) Function indicator yellow, 4) Potentiometer, 5) Fastening: Cable tie, 6) Fastening: screw 3xM3

**BCS0134, BCS0135**



1) Sensing surface, 2) Power indicator green, 3) Function indicator yellow, 4) Potentiometer, 5) Fastening: Cable tie, 6) Fastening: screw 3xM3

**BCS0133**





	<b>BCS001Y</b> BCS G06T4E1-PSM30G-EP02	<b>BCS0022</b> BCS G06T4D2-PSM30G-S49G	
PNP normally open			
PNP normally closed			
NPN normally closed			
Dimension	Ø 6.5 x 42 mm	Ø 6.5 x 54 mm	
Series	G06	G06	
Thread (A)	—	—	
Installation	non-flush	non-flush	
Connection	Cable, 2.00 m, PUR	Connector, M8x1 connector, 3-pin	
Switching frequency	100 Hz	100 Hz	
Interface	—	—	
Range	0.1...3 mm	0.1...3 mm	
Sensitivity	Switching distance adjustable	Switching distance adjustable	
Function	—	—	
Additional features	—	—	
Housing material	Stainless steel (1.4301)	Stainless steel (1.4301)	
Material sensing surface	PTFE	PTFE	
Ambient temperature	-10...70 °C	-10...70 °C	
Operating voltage U <sub>b</sub>	11...30 VDC	11...30 VDC	
Approval/Conformity	CE, cULus	CE, cULus	
Protection degree	IP65	IP65	
Productview	Page 330	Page 330	



	<b>BCS002M</b> BCS M08T4E2-PSM30G-S49G	<b>BCS00R0</b> BCS M12BBG1-PSC80H-EP02	<b>BCS00PN</b> BCS M12BBE2-PSC80H-S04K	<b>BCS006Z</b> BCS M12TTG1-PSM80G-ET02
		<b>BCS00R1</b> BCS M12BBG1-POC80H-EP02	<b>BCS00PP</b> BCS M12BBE2-POC80H-S04K	<b>BCS0070</b> BCS M12TTG1-POM80G-ET02
				<b>BCS0072</b> BCS M12TTG1-NOM80G-ET02
	Ø 8 x 54 mm	Ø 12 x 61 mm	Ø 12 x 75 mm	Ø 12 x 53 mm
	M08	M12	M12	M12
	M8x1	M12x1	M12x1	M12x1
	non-flush	non-flush	non-flush	non-flush
	Connector, M8x1 connector, 3-pin	Cable, 2.00 m, PUR	Connector, M12x1 connector, 4-pin	Cable, 2.00 m, PTFE
	100 Hz	100 Hz	100 Hz	100 Hz
	—	—	—	—
	0.1...3 mm	1...8 mm	1...8 mm	1...8 mm
	Switching distance adjustable	Switching distance adjustable	Switching distance adjustable	Switching distance adjustable
	—	—	—	—
	—	—	—	—
	Stainless steel (1.4301)	PBT	PBT	PTFE
	PTFE	PBT	PBT	PTFE
	-10...70 °C	-25...85 °C	-25...85 °C	-30...70 °C
	11...30 VDC	10...30 VDC	10...30 VDC	12...35 VDC
	CE, cULus	CE, cULus	CE, cULus	CE, cULus
	IP65	IP67	IP67	IP65
	Page 330	Page 330	Page 330	Page 330



PNP normally open	<b>BCS00PC</b> BCS M12B4G1-PSC80H-EP02	<b>BCS00P4</b> BCS M12B4E2-PSC80H-S04K	
PNP normally closed			
Dimension	Ø 12 x 61 mm	Ø 12 x 75 mm	
Series	M12	M12	
Thread (A)	M12x1	M12x1	
Installation	non-flush	non-flush	
Connection	Cable, 2.00 m, PUR	Connector	
Switching frequency	100 Hz	100 Hz	
Interface	—	—	
Range	1...8 mm	1...8 mm	
Sensitivity	Switching distance adjustable	Switching distance adjustable	
Function	—	—	
Additional features	—	—	
Housing material	Stainless steel (1.4305)	Stainless steel (1.4305)	
Material sensing surface	PBT	PBT	
Ambient temperature	-25...85 °C	-25...85 °C	
Operating voltage U <sub>b</sub>	10...30 VDC	10...30 VDC	
Approval/Conformity	CE, cULus	CE, cULus	
Protection degree	IP67	IP67	
Productview	Page 330	Page 330	



	<b>BCS0062</b> BCS M12T4D2-PSM80G-S04G	<b>BCS007N</b> BCS M18VV11-PSCFAG-DV02	<b>BCS008T</b> BCS M18VVN-PSCFAG-S49G	<b>BCS008A</b> BCS M18TT12-PSCFAG-AT02
		<b>BCS007P</b> BCS M18VV11-POCFAG-DV02		<b>BCS008C</b> BCS M18TT12-POCFAG-AT02
	Ø 12 x 60 mm	Ø 18 x 70 mm	Ø 18 x 70 mm	Ø 18 x 73 mm
	M12	M18	M18	M18
	M12x1	M18x1	M18x1	M18x1
	non-flush	non-flush	non-flush	non-flush
	Connector, M12x1 connector, 4-pin	Cable, 2.00 m, PVC	Connector, M8x1 connector, 3-pin	Cable, 2.00 m, PTFE
	100 Hz	2 Hz	2 Hz	2 Hz
	—	—	—	—
	1...8 mm	—	—	—
	Switching distance adjustable	media-dependent, adjustable	media-dependent, adjustable	media-dependent, adjustable
	—	Smart Level 15	Smart Level 15	Smart Level 15
	—	Electrically conductive media, Foam and residue compensation	Electrically conductive media, Foam and residue compensation	Electrically conductive media, Foam and residue compensation
	Stainless steel (1.4301)	PVC	PVC	PTFE
	PTFE	PVC	PVC	PTFE
	-30...70 °C	-10...60 °C	-10...60 °C	-10...60 °C
	12...35 VDC	10...35 VDC	10...35 VDC	10...35 VDC
	CE, cULus	CE, cULus	CE, cULus	CE, cULus
	IP65	IP66	IP66	IP66
	Page 330	Page 330	Page 331	Page 331



PNP normally open	<b>BCS00LL</b> BCS M18BBH1-PSC15H-EP02	<b>BCS00LM</b> BCS M18BBG2-PSC15H-S04K	
PNP normally closed		<b>BCS00LT</b> BCS M18BBG2-POC15H-S04K	
NPN normally open	<b>BCS00LZ</b> BCS M18BBH1-NSC15H-EP02		
NPN normally closed	<b>BCS00M0</b> BCS M18BBH1-NOC15H-EP02		
Dimension	Ø 18 x 75.5 mm	Ø 18 x 88.5 mm	
Series	M18	M18	
Thread (A)	M18x1	M18x1	
Installation	non-flush	non-flush	
Connection	Cable, 2.00 m, PUR	Connector, M12x1 connector, 4-pin	
Switching frequency	100 Hz	100 Hz	
Interface	—	—	
Range	2...15 mm	2...15 mm	
Sensitivity	Switching distance adjustable	Switching distance adjustable	
Function	—	—	
Additional features	—	—	
Housing material	PBT	PBT	
Material sensing surface	PBT	PBT	
Ambient temperature	-25...85 °C	-25...85 °C	
Operating voltage $U_b$	10...30 VDC	10...30 VDC	
Approval/Conformity	CE, cULus	CE, cULus	
Protection degree	IP67	IP67	
Productview	Page 331	Page 331	



	<b>BCS0073</b> BCS M18TTI2-PSC15G-AT02	<b>BCS00ME</b> BCS M18B4G2-PSC15H-S04K	<b>BCS006A</b> BCS M18T4G2-PSC15G-S04G	
		<b>BCS00ML</b> BCS M18B4G2-POC15H-S04K	<b>BCS006C</b> BCS M18T4G2-POC15G-S04G	<b>BCS005T</b> BCS M18T4I1-POC15G-DV02
	<b>BCS0076</b> BCS M18TTI2-NOC15G-AT02			
	Ø 18 x 73 mm	Ø 18 x 88.5 mm	Ø 18 x 75 mm	Ø 18 x 65 mm
	M18	M18	M18	M18
	M18x1	M18x1	M18x1	M18x1
	non-flush	non-flush	non-flush	non-flush
	Cable, 2.00 m, PTFE	Connector, M12x1 connector, 4-pin	Connector, M12x1 connector, 4-pin	Cable, 2.00 m, PVC
	100 Hz	100 Hz	100 Hz	100 Hz
	—	—	—	—
	2...15 mm	2...15 mm	2...15 mm	2...15 mm
	Switching distance adjustable	Switching distance adjustable	Switching distance adjustable	Switching distance adjustable
	—	—	—	—
	—	—	—	—
	PTFE	Stainless steel (1.4305)	Stainless steel (1.4301)	Stainless steel (1.4301)
	PTFE	PBT	PTFE	PTFE
	-30...70 °C	-25...85 °C	-30...70 °C	-30...70 °C
	10...35 VDC	10...30 VDC	10...35 VDC	10...35 VDC
	CE, cULus	CE, cULus	CE, cULus	CE, cULus
	IP67	IP67	IP67	IP67
	Page 331	Page 331	Page 331	Page 331





PNP normally open		<b>BCS0086</b> BCS M30TTH2-PSCFAG-AT02	
PNP normally closed		<b>BCS0087</b> BCS M30TTH2-POCFAG-AT02	
PNP normally open/normally closed programmable	<b>BCS007Y</b> BCS M30BBM2-PPCFAG-S04G		
Dimension	Ø 30 x 87 mm	Ø 30 x 72 mm	
Series	M30	M30	
Thread (A)	M30x1.5	M30x1.5	
Installation	non-flush	non-flush	
Connection	Connector, M12x1 connector, 4-pin	Cable, 2.00 m, PTFE	
Switching frequency	2 Hz	2 Hz	
Interface	—	—	
Range	—	—	
Sensitivity	media-dependent, adjustable	media-dependent, adjustable	
Function	Smart Level 15	Smart Level 15	
Additional features	Electrically conductive media, Foam and residue compensation	Electrically conductive media, Foam and residue compensation	
Housing material	PBT	PTFE	
Material sensing surface	PBT	PTFE	
Ambient temperature	-10...60 °C	-10...60 °C	
Operating voltage U <sub>b</sub>	10...35 VDC	10...35 VDC	
Approval/Conformity	CE, cULus	CE, cULus	
Protection degree	IP67	IP67	
Productview	Page 331	Page 332	



	<b>BCS00NT</b> BCS M30BBE1-PSC25H-EP02	<b>BCS00NH</b> BCS M30BBE2-PSC25H-S04K		<b>BCS0077</b> BCS M30TTH2-PSC30G-AT02
				<b>BCS0078</b> BCS M30TTH2-POC30G-AT02
			<b>BCS007F</b> BCS M30BBM2-PPC30G-S04G	
	Ø 30 x 65.5 mm	Ø 30 x 78.5 mm	Ø 30 x 87 mm	Ø 30 x 72 mm
	M30	M30	M30	M30
	M30x1.5	M30x1.5	M30x1.5	M30x1.5
	non-flush	non-flush	non-flush	non-flush
	Cable, 2.00 m, PUR	Connector, M12x1 connector, 4-pin	Connector, M12x1 connector, 4-pin	Cable, 2.00 m, PTFE
	100 Hz	100 Hz	100 Hz	100 Hz
	—	—	—	—
	1...25 mm	1...25 mm	1...30 mm	2...30 mm
	Switching distance adjustable	Switching distance adjustable	Switching distance adjustable	Switching distance adjustable
	—	—	—	—
	—	—	—	—
	PBT	PBT	PBT	PTFE
	PBT	PBT	PBT	PTFE
	-25...85 °C	-25...85 °C	-30...70 °C	-30...70 °C
	10...30 VDC	10...30 VDC	10...35 VDC	10...35 VDC
	CE, cULus	CE, cULus	CE, cULus	CE, cULus
	IP67	IP67	IP66	IP67
	Page 332	Page 332	Page 332	Page 332



PNP normally open	<b>BCS00N6</b> BCS M30B4E1-PSC25H-EP02	<b>BCS00MY</b> BCS M30B4E2-PSC25H-S04K	
PNP normally open/normally closed programmable			
NPN normally closed	<b>BCS00N9</b> BCS M30B4E1-NOC25H-EP02		
Dimension	Ø 30 x 65.5 mm	Ø 30 x 78.5 mm	
Series	M30	M30	
Thread (A)	M30x1.5	M30x1.5	
Installation	non-flush	non-flush	
Connection	Cable, 2.00 m, PUR	Connector, M12x1 connector, 4-pin	
Switching frequency	100 Hz	100 Hz	
Interface	—	—	
Range	1...25 mm	1...25 mm	
Sensitivity	Switching distance adjustable	Switching distance adjustable	
Function	—	—	
Additional features	—	—	
Housing material	Stainless steel (1.4305)	Stainless steel (1.4305)	
Material sensing surface	PBT	PBT	
Ambient temperature	-25...85 °C	-25...85 °C	
Operating voltage U <sub>b</sub>	10...30 VDC	10...30 VDC	
Approval/Conformity	CE, cULus	CE, cULus	
Protection degree	IP67	IP67	
Productview	Page 332	Page 332	



	<b>BCS007L</b> BCS M30T4M2-PPC30G-S04G	<b>BCS0105</b> BCS S44KK01-PSCFAG-EP00,3-GS49	<b>BCS010L</b> BCS S44KK01-GPCFAG-EP02	<b>BCS00ZL</b> BCS S44KK01-PSCFNG-EP00,3-GS49
	Ø 30 x 86.5 mm	Ø 12 x 62.5 mm	Ø 12 x 62.5 mm	Ø 12 x 62.5 mm
	M30	S44	S44	S44
	M30x1.5	M12x1	M12x1	M12x1
	non-flush	non-flush	non-flush	non-flush
	Connector, M12x1 connector, 4-pin	Cable with connector, M8x1 connector, 3-pin, 0.30 m, PUR	Cable, 2.00 m, PUR	Cable with connector, M8x1 connector, 3-pin, 0.30 m, PUR
	100 Hz	5 Hz	5 Hz	10 Hz
	—	—	—	—
	1...30 mm	—	—	—
	Switching distance adjustable	media-dependent, adjustable	media-dependent, adjustable	media-dependent, adjustable
	—	Smart Level 15	Smart Level 15	—
	—	Electrically conductive media, Foam and residue compensation	Electrically conductive media, Foam and residue compensation	—
	Stainless steel (1.4301)	PEEK	PEEK	PEEK
	PTFE	PEEK	PEEK	PEEK
	-30...70 °C	-5...105 °C	-5...105 °C	-5...105 °C
	10...35 VDC	10...30 VDC	10...30 VDC	10...30 VDC
	CE, cULus	CE	CE	CE
	IP66	IP67	IP67	IP67
	Page 332	Page 332	Page 332	Page 332



PNP normally open		<b>BCS010F</b> BCS S44KK03-PSCFAG-EP00,3-GS49	
PNP normally closed			
PNP/NPN normally open/normally closed codierbar	<b>BCS0102</b> BCS S44KK01-GPCFNG-EP02		
Dimension	Ø 12 x 62.5 mm	Ø 13.7 x 62.5 mm	
Series	S44	S44	
Thread (A)	M12x1	NPT 1/4"	
Installation	non-flush	non-flush	
Connection	Cable, 2.00 m, PUR	Cable with connector, M8x1 connector, 3-pin, 0.30 m, PUR	
Switching frequency	10 Hz	5 Hz	
Interface	—	—	
Range	—	—	
Sensitivity	media-dependent, adjustable	media-dependent, adjustable	
Function	—	Smart Level 15	
Additional features	—	Electrically conductive media, Foam and residue compensation	
Housing material	PEEK	PEEK	
Material sensing surface	PEEK	PEEK	
Ambient temperature	-5...105 °C	-5...105 °C	
Operating voltage U <sub>b</sub>	10...30 VDC	10...30 VDC	
Approval/Conformity	CE	CE	
Protection degree	IP67	IP67	
Productview	Page 332	Page 333	



		<b>BCS00ZY</b> BCS S44KK03-PSCFNG-EP00,3-GS49		<b>BCS0109</b> BCS S44KK02-PSCFAG-EP00,3-GS49
				<b>BCS010A</b> BCS S44KK02-POCFAG-EP00,3-GS49
<b>BCS010N</b> BCS S44KK03-GPCFAG-EP02			<b>BCS0104</b> BCS S44KK03-GPCFNG-EP02	
Ø 13.7 x 62.5 mm	Ø 13.7 x 62.5 mm	Ø 13.7 x 62.5 mm	Ø 13.7 x 62.5 mm	Ø 11.9 x 62.5 mm
S44	S44	S44	S44	S44
NPT 1/4"	NPT 1/4"	NPT 1/4"	NPT 1/4"	G 1/4"
non-flush	non-flush	non-flush	non-flush	non-flush
Cable, 2.00 m, PUR	Cable with connector, M8x1 connector, 3-pin, 0.30 m, PUR	Cable, 2.00 m, PUR	Cable, 2.00 m, PUR	Cable with connector, M8x1 connector, 3-pin, 0.30 m, PUR
5 Hz	10 Hz	10 Hz	10 Hz	5 Hz
—	—	—	—	—
—	—	—	—	—
media-dependent, adjustable	media-dependent, adjustable	media-dependent, adjustable	media-dependent, adjustable	media-dependent, adjustable
Smart Level 15	—	—	—	Smart Level 15
Electrically conductive media, Foam and residue compensation	—	—	—	Electrically conductive media, Foam and residue compensation
PEEK	PEEK	PEEK	PEEK	PEEK
PEEK	PEEK	PEEK	PEEK	PEEK
-5...105 °C	-5...105 °C	-5...105 °C	-5...105 °C	-5...105 °C
10...30 VDC	10...30 VDC	10...30 VDC	10...30 VDC	10...30 VDC
CE	CE	CE	CE	CE
IP67	IP67	IP67	IP67	IP67
Page 333	Page 333	Page 333	Page 333	Page 333

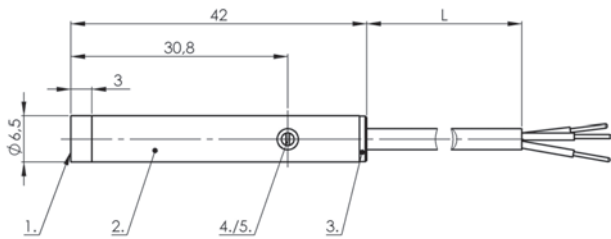


PNP normally open		<b>BCS00ZR</b> BCS S44KK02-PSCFNG-EP00,3-GS49	
PNP normally closed			
NPN normally open			
NPN normally closed			
PNP/NPN normally open/normally closed codierbar	<b>BCS010M</b> BCS S44KK02-GPCFAG-EP02		
Dimension	Ø 11.9 x 62.5 mm	Ø 11.9 x 62.5 mm	
Series	S44	S44	
Thread (A)	G 1/4"	G 1/4"	
Installation	non-flush	non-flush	
Connection	Cable, 2.00 m, PUR	Cable with connector, M8x1 connector, 3-pin, 0.30 m, PUR	
Switching frequency	5 Hz	10 Hz	
Interface	—	—	
Range	—	—	
Sensitivity	media-dependent, adjustable	media-dependent, adjustable	
Function	Smart Level 15	—	
Additional features	Electrically conductive media, Foam and residue compensation	—	
Housing material	PEEK	PEEK	
Material sensing surface	PEEK	PEEK	
Ambient temperature	-5...105 °C	-5...105 °C	
Operating voltage Ub	10...30 VDC	10...30 VDC	
Approval/Conformity	CE	CE	
Protection degree	IP67	IP67	
Productview	Page 333	Page 333	



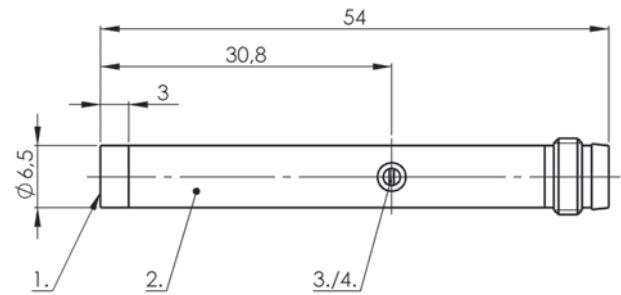
	<b>BCS011L</b> BCS S04K501-PICFNG-S04G-T51	<b>BCS011E</b> BCS S04K501-PICFNG-S04G-T50	<b>BCS011F</b> BCS S04K501-PSCFNG-S04G-T50
			<b>BCS011H</b> BCS S04K501-POCFNG-S04G-T50
			<b>BCS011J</b> BCS S04K501-NSCFNG-S04G-T50
			<b>BCS011K</b> BCS S04K501-NOCFNG-S04G-T50
<b>BCS0103</b> BCS S44KK02-GPCFNG-EP02			
Ø 11.9 x 62.5 mm	Ø 30 x 96 mm	Ø 30 x 96 mm	Ø 30 x 96 mm
S44	S04	S04	S04
G 1/4"	G 1/2"	G 1/2"	G 1/2"
non-flush	non-flush	non-flush	non-flush
Cable, 2.00 m, PUR	Connector, M12x1 connector, 4-pin	Connector, M12x1 connector, 4-pin	Connector, M12x1 connector, 4-pin
10 Hz	5 Hz	5 Hz	5 Hz
—	IO-Link 1.1	IO-Link 1.1	—
—	—	—	—
media-dependent, adjustable	teachable depending on media	teachable depending on media	teachable depending on media
—	Smart Level 100	Smart Level 100	Smart Level 100
—	Electrically conductive media, Foam and residue compensation	Electrically conductive media, Foam and residue compensation	Electrically conductive media, Foam and residue compensation
PEEK	Stainless steel (1.4404)	Stainless steel (1.4404)	Stainless steel (1.4404)
PEEK	PEEK	PEEK	PEEK
-5...105 °C	-10...85 °C	-40...85 °C	-40...85 °C
10...30 VDC	18...30 VDC	18...30 VDC	12...30 VDC
CE	IO-Link, EHEDG conformal, FDA compliant, CE	CE, FDA compliant, EHEDG conformal, IO-Link	CE, FDA compliant, EHEDG conformal
IP67	IP68	IP68	IP68
Page 333	Page 333	Page 333	Page 333





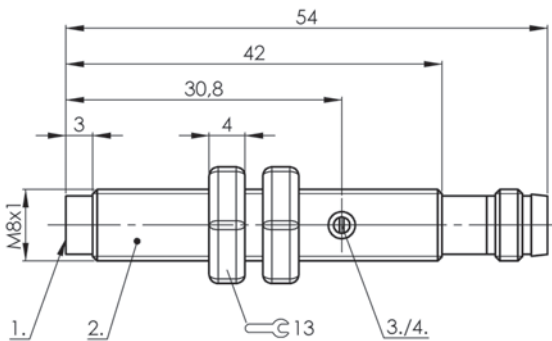
1) Sensing surface, 2) Housing, 3) Cover, 4) Potentiometer, 5) LED function indicator

**BCS001Y**



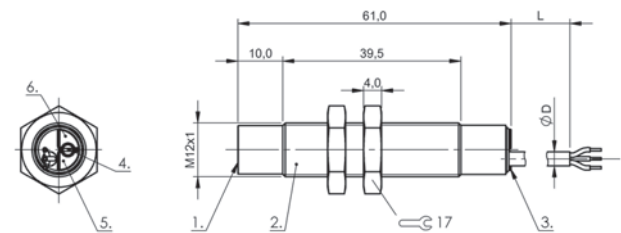
1) Sensing surface, 2) Housing, 3) Potentiometer, 4) LED function indicator

**BCS0022**



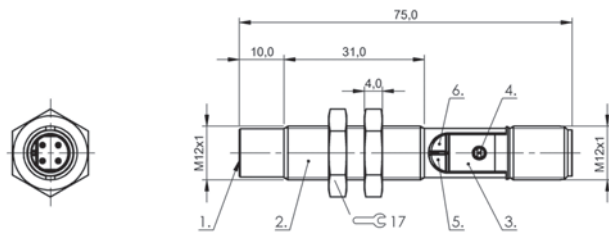
1) Sensing surface, 2) Housing, 3) Potentiometer, 4) LED function indicator

**BCS002M**



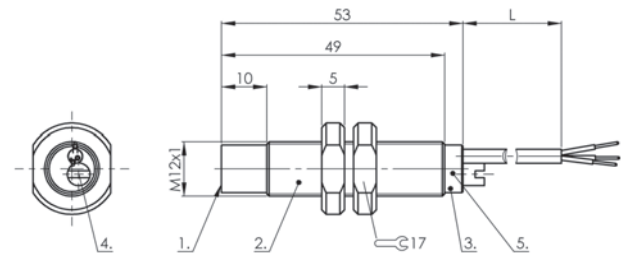
1) Sensing surface, 2) Housing, 3) Cover, 4) Potentiometer, 5) LED Power, 6) LED function indicator

**BCS00R0, BCS00R1, BCS00PC**



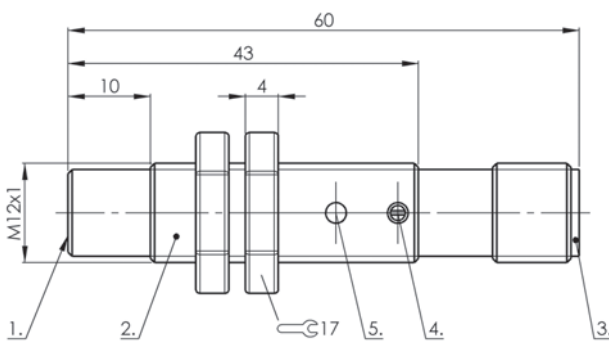
1) Sensing surface, 2) Housing, 3) Cover, 4) Potentiometer, 5) LED Power, 6) LED function indicator

**BCS00PN, BCS00PP, BCS00P4**



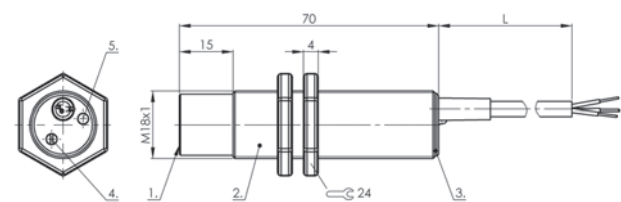
1) Sensing surface, 2) Housing, 3) Cover, 4) Potentiometer, 5) LED function indicator

**BCS0072, BCS006Z, BCS0070**



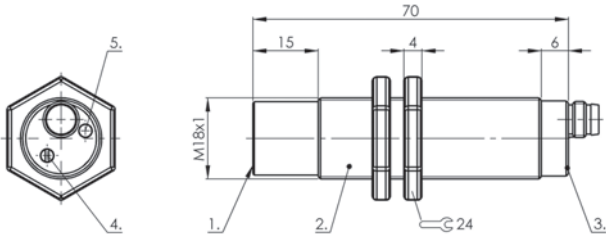
1) Sensing surface, 2) Housing, 3) Cover, 4) Potentiometer, 5) LED function indicator

**BCS0062**



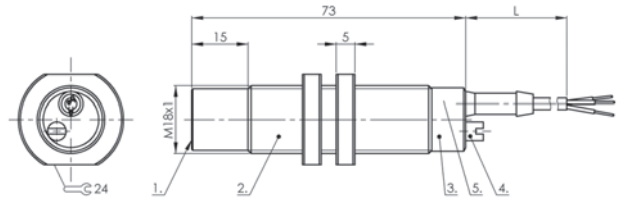
1) Sensing surface, 2) Housing, 3) Cover, 4) Potentiometer, 5) LED function indicator

**BCS007N, BCS007P**



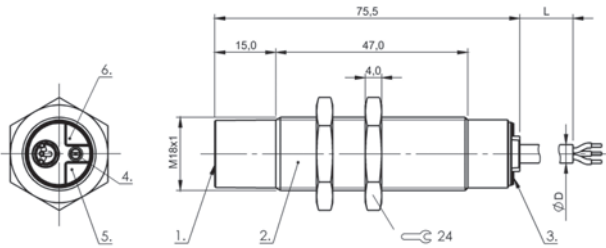
1) Sensing surface, 2) Housing, 3) Cover, 4) Potentiometer, 5) LED function indicator

**BCS008T**



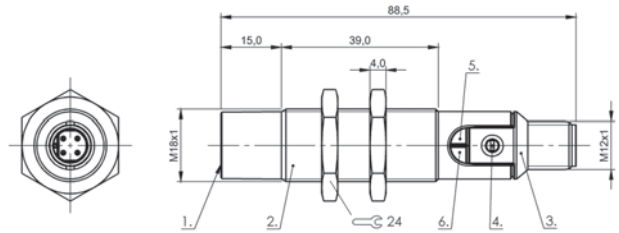
1) Sensing surface, 2) Housing, 3) Cover, 4) Potentiometer, 5) LED function indicator

**BCS008A, BCS008C**



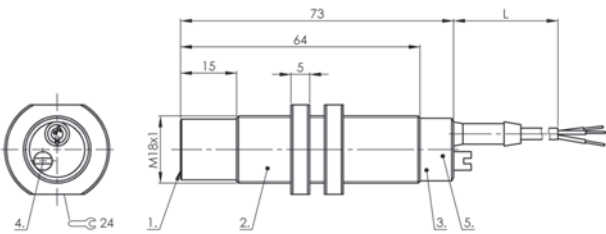
1) Sensing surface, 2) Housing, 3) Cover, 4) Potentiometer, 5) LED Power, 6) LED function indicator

**BCS00LZ, BCS00M0, BCS00LL**



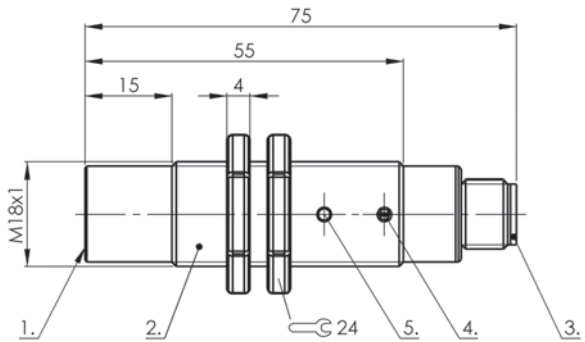
1) Sensing surface, 2) Housing, 3) Cover, 4) Potentiometer, 5) LED Power, 6) LED function indicator

**BCS00LM, BCS00LT, BCS00ME, BCS00ML**



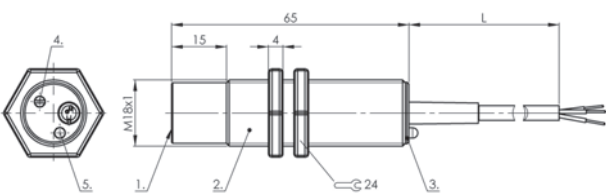
1) Sensing surface, 2) Housing, 3) Cover, 4) Potentiometer, 5) LED function indicator

**BCS0076, BCS0073**



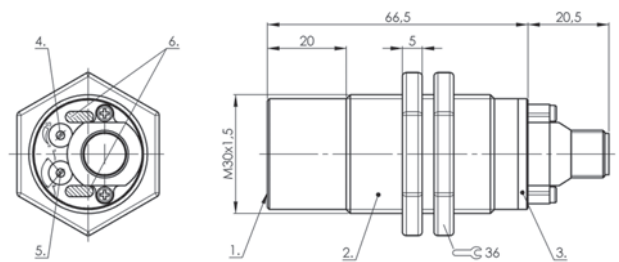
1) Sensing surface, 2) Housing, 3) Cover, 4) Potentiometer, 5) LED function indicator

**BCS006A, BCS006C**



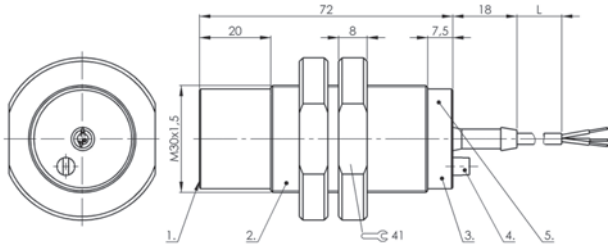
1) Sensing surface, 2) Housing, 3) Cover, 4) Potentiometer, 5) LED function indicator

**BCS005T**



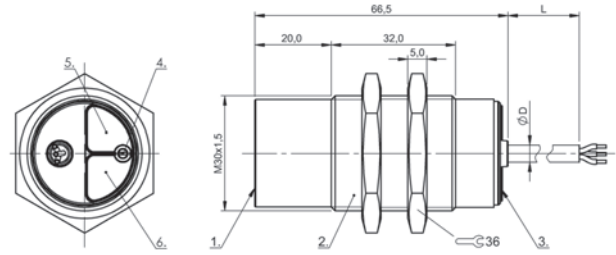
1) Sensing surface, 2) Housing, 3) Cover, 4) Potentiometer, 5) NO or NC selectable, 6) LED function indicator

**BCS007Y**



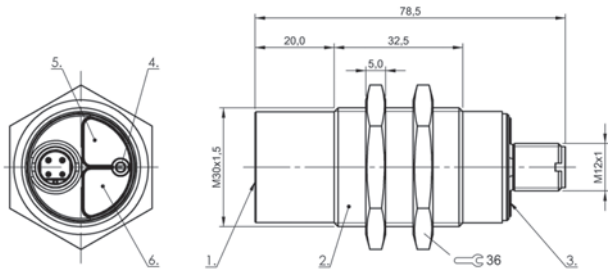
1) Sensing surface, 2) Housing, 3) Cover, 4) Potentiometer, 5) LED function indicator

**BCS0086, BCS0087**



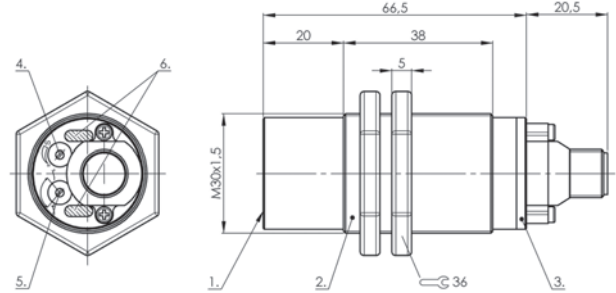
1) Sensing surface, 2) Housing, 3) Cover, 4) Potentiometer, 5) LED Power, 6) LED function indicator

**BCS00NT, BCS00N9, BCS00N6**



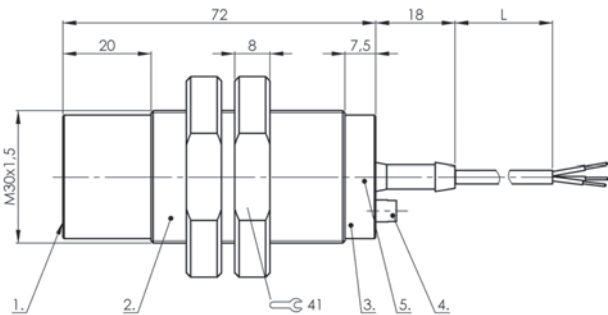
1) Sensing surface, 2) Housing, 3) Cover, 4) Potentiometer, 5) LED Power, 6) LED function indicator

**BCS00NH, BCS00MY**



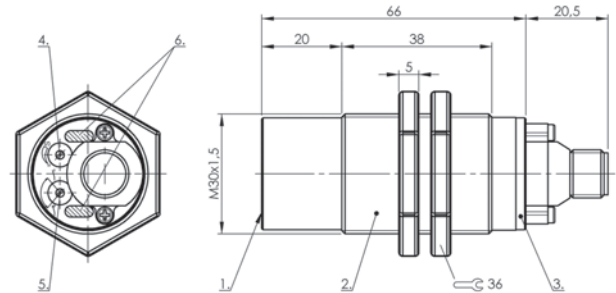
1) Sensing surface, 2) Housing, 3) Cover, 4) Potentiometer, 5) NO or NC selectable, 6) LED function indicator

**BCS007F**



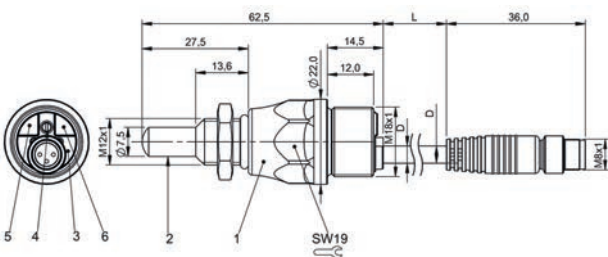
1) Sensing surface, 2) Housing, 3) Cover, 4) Potentiometer, 5) LED function indicator

**BCS0077, BCS0078**



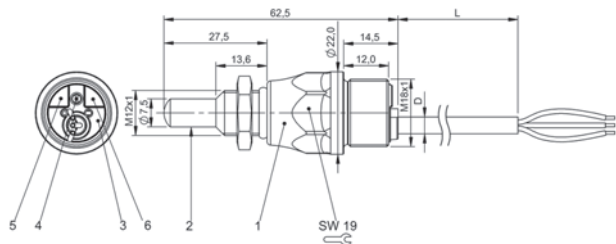
1) Sensing surface, 2) Housing, 3) Cover, 4) Potentiometer, 5) NO or NC selectable, 6) LED function indicator

**BCS007L**



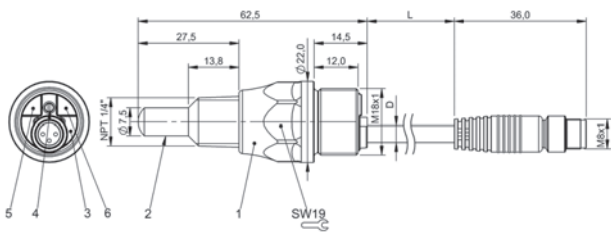
1) Housing, 2) Sensing surface, 3) Cover, 4) Potentiometer, 5) Function indicator yellow, 6) Power indicator green

**BCS0105, BCS00ZL**



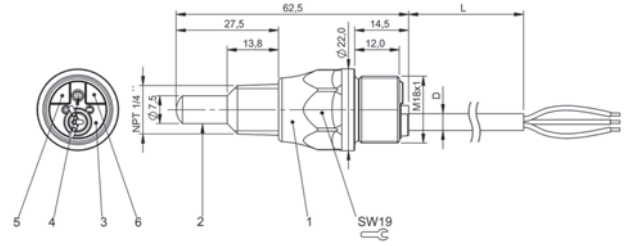
1) Housing, 2) Sensing surface, 3) Cover, 4) Potentiometer, 5) Function indicator yellow, 6) Power indicator green

**BCS010L, BCS0102**



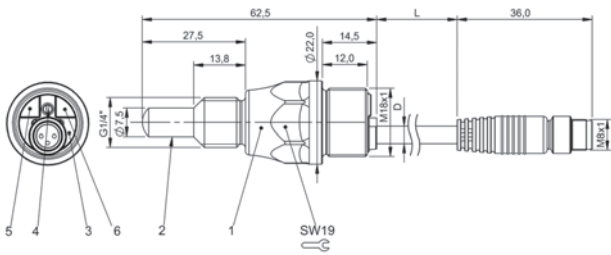
1) Housing, 2) Sensing surface, 3) Cover, 4) Potentiometer, 5) Function indicator yellow, 6) Power indicator green

**BCS010F, BCS00ZY**



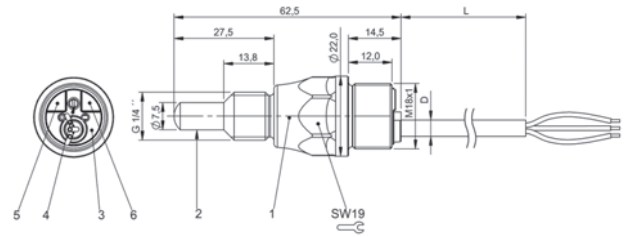
1) Housing, 2) Sensing surface, 3) Cover, 4) Potentiometer, 5) Function indicator yellow, 6) Power indicator green

**BCS010N, BCS0104**



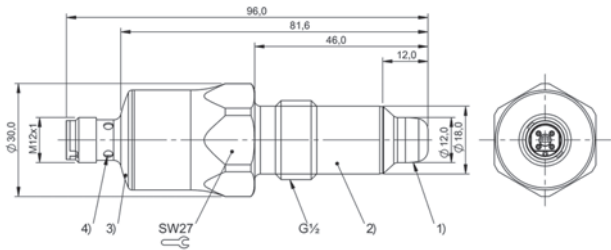
1) Housing, 2) Sensing surface, 3) Cover, 4) Potentiometer, 5) Function indicator yellow, 6) Power indicator green

**BCS0109, BCS010A, BCS00ZR**



1) Housing, 2) Sensing surface, 3) Cover, 4) Potentiometer, 5) Function indicator yellow, 6) Power indicator green

**BCS010M, BCS0103**



1) Sensing surface, 2) Housing, 3) Cover, 4) LED function indicator

**BCS011E, BCS011L, BCS011J, BCS011K, BCS011F, BCS011H**



	<b>BCS0010</b> BCS G04T4D-XXS10C-EP02-GZ01-002	<b>BCS0012</b> BCS G06T4B-XXS15C-EP02-GZ01-002	
Dimension	Ø 4 x 29 mm	Ø 6.5 x 18 mm	
Series	G04	G06	
Thread (A)	—	—	
Installation	for flush mounting	for flush mounting	
Connection	Cable with connector, Special connector-Special connector, 2.00 m, PUR	Cable with connector, Special connector-Special connector, 2.00 m, PUR	
Interface	Special interface	Special interface	
Range	0.1...1 mm	0.1...1.5 mm	
Sensitivity	adjustable on base unit	adjustable on base unit	
Housing material	Stainless steel (1.4301)	Stainless steel (1.4301)	
Material sensing surface	PTFE	PTFE	
Ambient temperature	-30...80 °C	-30...80 °C	
Approval/Conformity	CE, cULus	CE, cULus	
Protection degree	IP67	IP67	
Productview	Page 340	Page 340	



	<b>BCS0013</b> BCS G06T4B-XXS30G-EP02-GZ01-002	<b>BCS0016</b> BCS G10T4B-XXS40C-EP02-GZ01-002	<b>BCS0017</b> BCS G10T4C-XXS80G-EP02-GZ01-002	<b>BCS0011</b> BCS M05T4C-XXS10C-EP02-GZ01-002
	Ø 6.5 x 19 mm	Ø 10 x 20 mm	Ø 10 x 24 mm	Ø 5 x 29 mm
	G06	G10	G10	M05
	—	—	—	M5x0.5
	non-flush	for flush mounting	non-flush	for flush mounting
	Cable with connector, Special connector-Special connector, 2.00 m, PUR	Cable with connector, Special connector-Special connector, 2.00 m, PUR	Cable with connector, Special connector-Special connector, 2.00 m, PUR	Cable with connector, Special connector-Special connector, 2.00 m, PUR
	Special interface	Special interface	Special interface	Special interface
	0.1...3 mm	0.1...4 mm	1...8 mm	0.1...1 mm
	adjustable on base unit	adjustable on base unit	adjustable on base unit	adjustable on base unit
	Stainless steel (1.4301)	Stainless steel (1.4301)	Stainless steel (1.4301)	Stainless steel (1.4301)
	PTFE	PTFE	PTFE	PTFE
	-30...80 °C	-30...80 °C	-30...80 °C	-30...80 °C
	CE, cULus	CE, cULus	CE, cULus	CE, cULus
	IP67	IP67	IP67	IP67
	Page 340	Page 340	Page 340	Page 340



	<b>BCS0014</b> BCS M08T4C-XXS15C-EP02-GZ01-002	<b>BCS0015</b> BCS M08T4C1-XXS30G-EP02-GZ01-002	
Dimension	Ø 8 x 25 mm	Ø 8 x 28 mm	
Series	M08	M08	
Thread (A)	M8x1	M8x1	
Installation	for flush mounting	non-flush	
Connection	Cable with connector, Special connector-Special connector, 2.00 m, PUR	Cable with connector, Special connector-Special connector, 2.00 m, PUR	
Interface	Special interface	Special interface	
Range	0.1...1.5 mm	0.1...3 mm	
Sensitivity	adjustable on base unit	adjustable on base unit	
Housing material	Stainless steel (1.4301)	Stainless steel (1.4301)	
Material sensing surface	PTFE	PTFE	
Ambient temperature	-30...80 °C	-30...80 °C	
Approval/Conformity	CE, cULus	CE, cULus	
Protection degree	IP67	IP67	
Productview	Page 340	Page 340	



	<b>BCS0019</b> BCS M12T4D1-XXS80G-EP02-GZ01-002	<b>BCS001A</b> BCS D18T403-XXS30C-EP02-GZ01-002	<b>BCS001C</b> BCS D18T404-XXS50C-EP02-GZ01-002	<b>BCS001F</b> BCS D22T405-XXS10C-EP02-GZ01-002
	Ø 12 x 34 mm	Ø 18 x 2.5 mm	Ø 18 x 4 mm	Ø 22 x 4 mm
	M12	D18	D18	D22
	M12x1	—	—	—
	non-flush	for flush mounting	for flush mounting	for flush mounting
	Cable with connector, Special connector-Special connector, 2.00 m, PUR	Cable with connector, Special connector-Special connector, 2.00 m, PVC	Cable with connector, Special connector-Special connector, 2.00 m, PUR	Cable with connector, Special connector-Special connector, 2.00 m, PUR
	Special interface	Special interface	Special interface	Special interface
	1...8 mm	0.1...3 mm	1...5 mm	1...10 mm
	adjustable on base unit	adjustable on base unit	adjustable on base unit	adjustable on base unit
	Stainless steel (1.4301)	Stainless steel (1.4301)	Stainless steel (1.4301)	Stainless steel (1.4301)
	PTFE	PTFE	PTFE	PTFE
	-30...80 °C	-30...70 °C	-30...80 °C	-30...80 °C
	CE, cULus	CE, cULus	CE, cULus	CE, cULus
	IP67	IP66	IP66	IP66
	Page 341	Page 341	Page 341	Page 341





	<b>BCS001H</b> BCS D22T408-XXS10C-EP02-GZ01-002		
Dimension	Ø 22 x 10 mm		
Series	D22		
Thread (A)	—		
Installation	for flush mounting		
Connection	Cable with connector, Special connector-Special connector, 2.00 m, PUR		
Interface	Special interface		
Range	1...10 mm		
Sensitivity	adjustable on base unit		
Housing material	Stainless steel (1.4301)		
Material sensing surface	PTFE		
Ambient temperature	-30...80 °C		
Approval/Conformity	CE, cULus		
Protection degree	IP66		
Productview	Page 341		


Sensors

RFID

Machine Vision and Optical Identification

Human Machine Interfaces

Systems

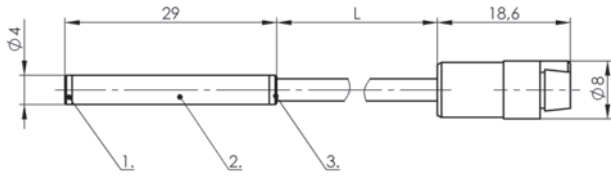
Safety

Industrial Networking

Power Supply

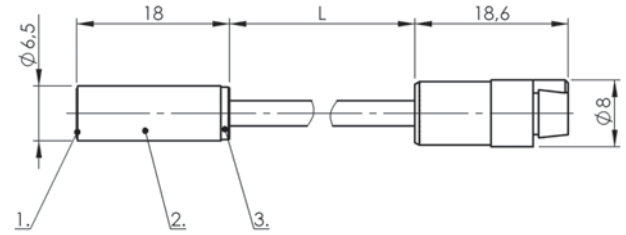
Connectivity

Accessories



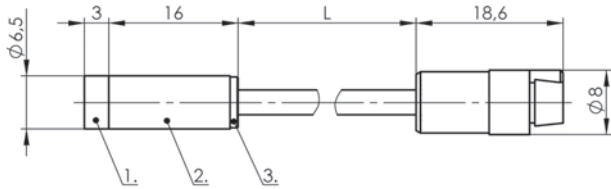
1) Sensing surface, 2) Housing, 3) Cover

**BCS0010**



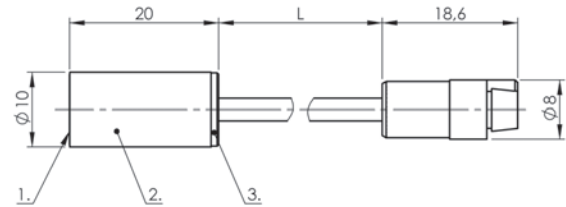
1) Sensing surface, 2) Housing, 3) Cover

**BCS0012**



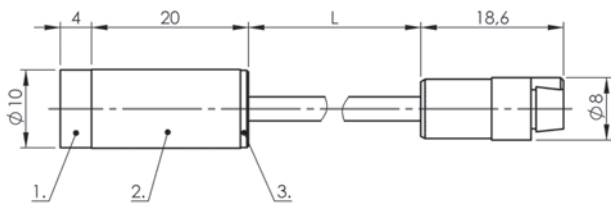
1) Sensing surface, 2) Housing, 3) Cover

**BCS0013**



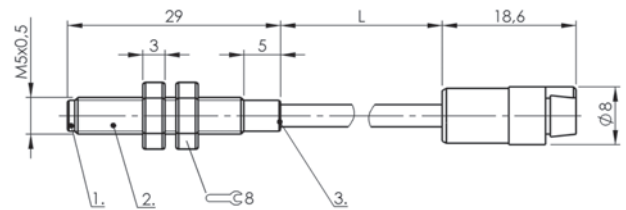
1) Sensing surface, 2) Housing, 3) Cover

**BCS0016**



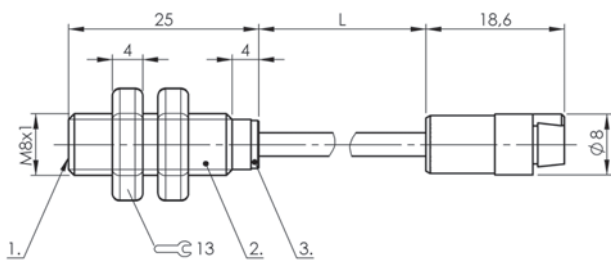
1) Sensing surface, 2) Housing, 3) Cover

**BCS0017**



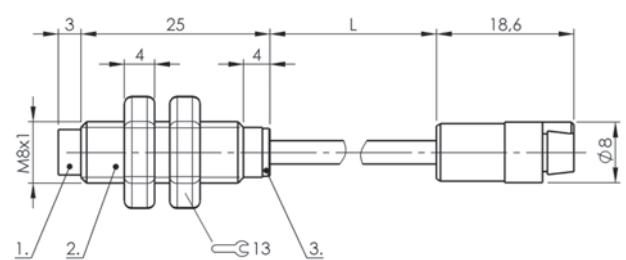
1) Sensing surface, 2) Housing, 3) Cover

**BCS0011**



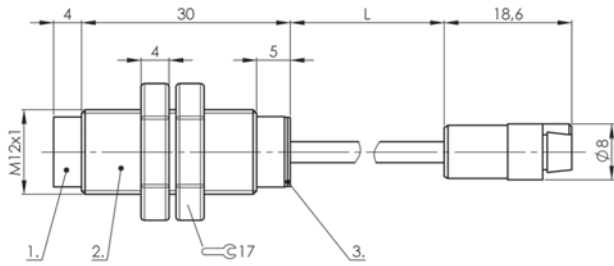
1) Sensing surface, 2) Housing, 3) Cover

**BCS0014**



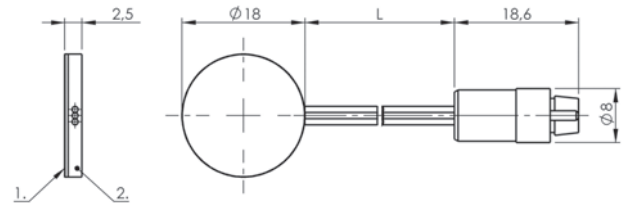
1) Sensing surface, 2) Housing, 3) Cover

**BCS0015**



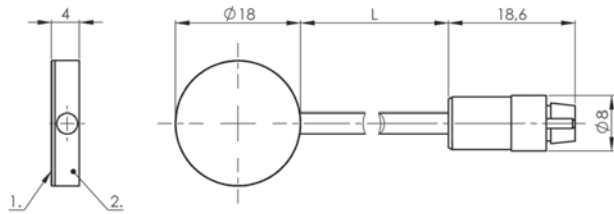
1) Sensing surface, 2) Housing, 3) Cover

**BCS0019**



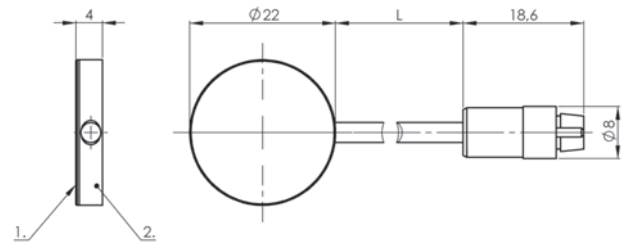
1) Sensing surface, 2) Housing

**BCS001A**



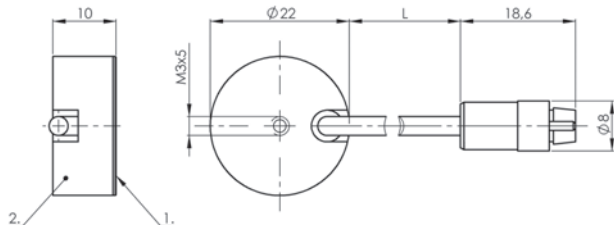
1) Sensing surface, 2) Housing

**BCS001C**



1) Sensing surface, 2) Housing

**BCS001F**



1) Sensing surface, 2) Housing

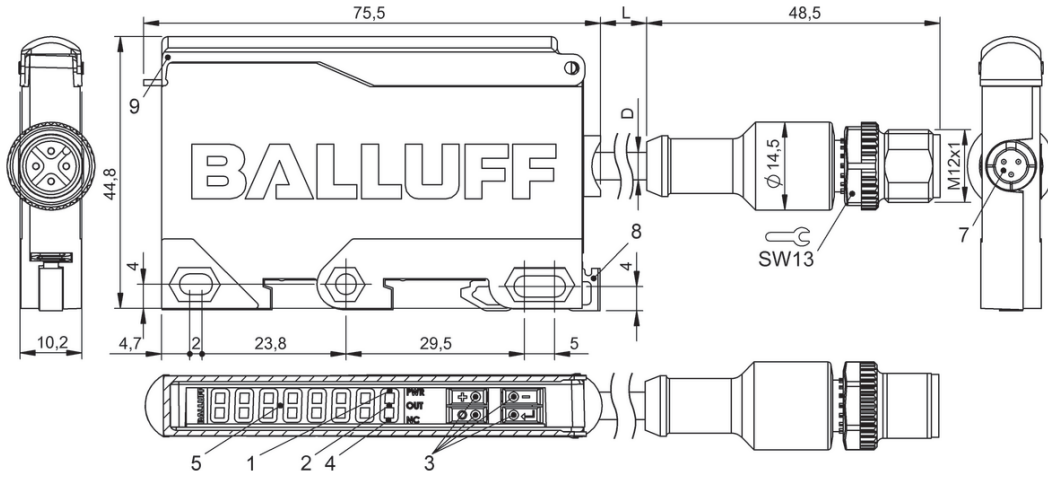
**BCS001H**



PNP/NPN normally open/normally closed programmable	<b>BAE00LC</b> BAE SA-CS-027-YI-BP00,3-GS04		
Analog, voltage 0...10 V/current 4...20 mA		<b>BAE00KJ</b> BAE SA-CS-026-YP-BP02	
Dimension	10.5 x 45 x 75.5 mm	10.5 x 45 x 75.5 mm	
Connection	Cable with connector, M12x1 connector, 4-pin, 0.30 m, PUR	Cable, 2.00 m, PUR	
Switching frequency	50 Hz	100 Hz	
Interface	IO-Link 1.1	—	
Housing material	PBT	PBT	
Ambient temperature	-10...70 °C	-10...70 °C	
Operating voltage U <sub>b</sub>	18...30 VDC	15...30 VDC	
Approval/Conformity	CE, IO-Link, cULus	CE, cULus	
Protection degree	IP40	IP40	
Time function	On/off delay time programmable	On/off delay time programmable	
Productview	Page 344	Page 344	

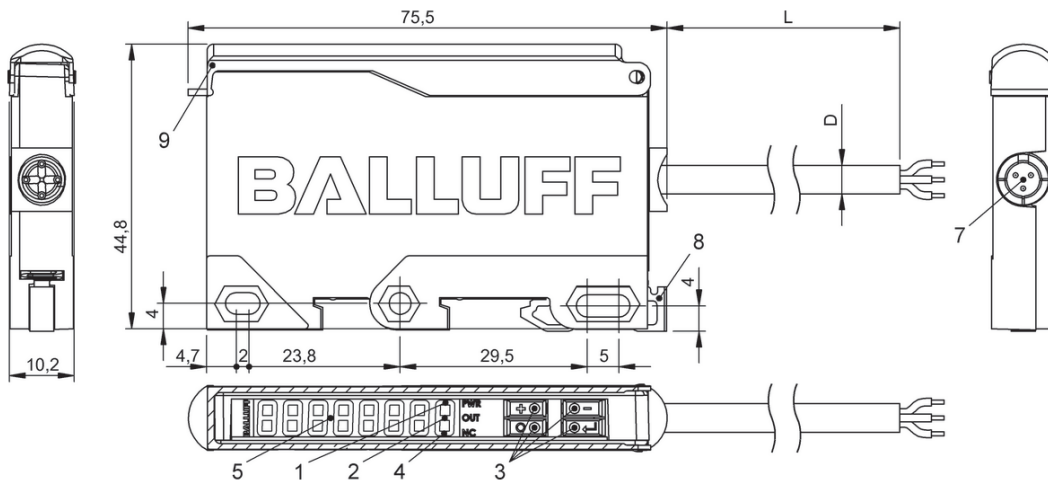


	<b>BAE00LA</b> BAE SA-CS-026-YP-BP00,3-GS04	<b>BAE00KH</b> BAE SA-CS-025-YP-BP02	<b>BAE00L9</b> BAE SA-CS-025-YP-BP00,3-GS04	
	10.5 x 45 x 75.5 mm	10.5 x 45 x 75.5 mm	10.5 x 45 x 75.5 mm	
	Cable with connector, M12x1, 0.30 m, PUR	Cable, 2.00 m, PUR	Cable with connector, M12x1, 0.30 m, PUR	
	100 Hz	100 Hz	100 Hz	
	—	—	—	
	PBT	PBT	PBT	
	-10...70 °C	-10...70 °C	-10...70 °C	
	15...30 VDC	12...30 VDC	12...30 VDC	
	CE, cULus	CE, cULus	CE, cULus	
	IP40	IP40	IP40	
	On/off delay time programmable	—	—	
	Page 344	Page 345	Page 345	



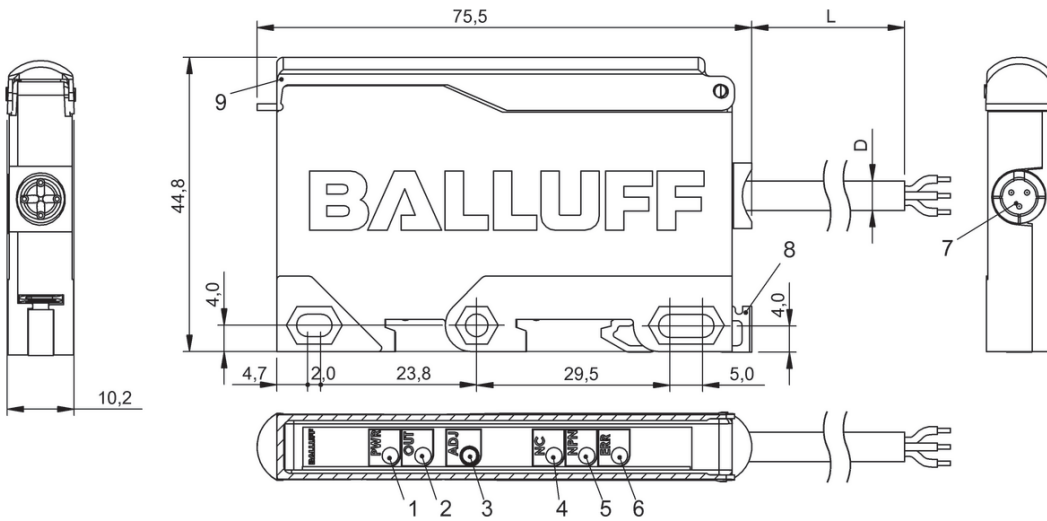
1) LED Power, 2) LED function indicator, 3) 4x operating keys, 4) LED N.C. function active, 5) 7x seven-segment display, 7) Plug connection sensor, 8) DIN rail mount 35mm, 9) Flap

**BAE00LC, BAE00LA**



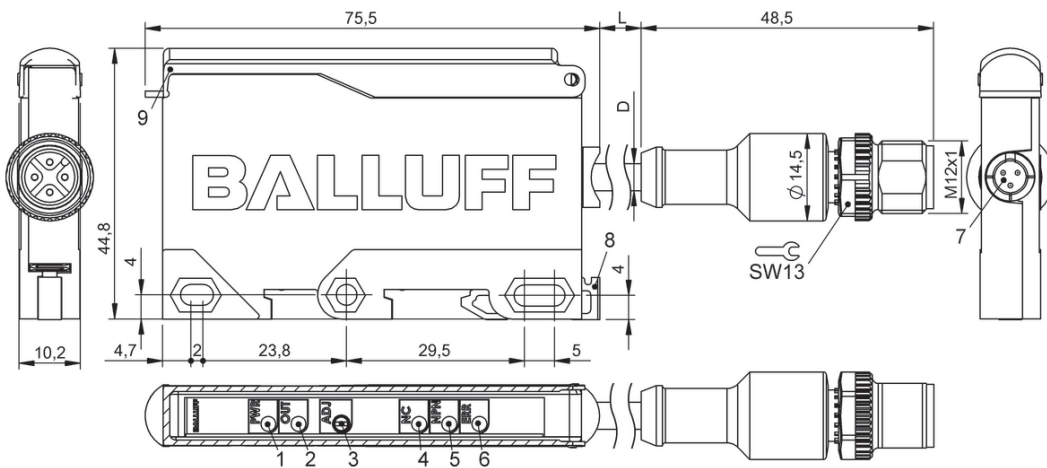
1) LED Power, 2) LED function indicator, 3) 4x operating keys, 4) LED N.C. function active, 5) 7x seven-segment display, 7) Plug connection sensor, 8) DIN rail mount 35mm, 9) Flap

**BAE00KJ**



1) LED Power, 2) LED function indicator, 3) Sn, 4) LED N.C. function active, 5) Switching stage NPN, active, 6) LED Error, 7) Plug connection sensor, 8) DIN rail mount 35mm, 9) Flap

**BAE00KH**

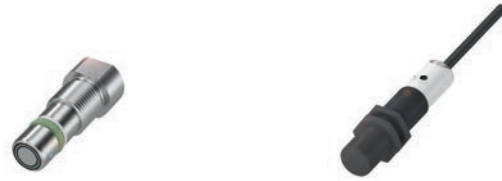


1) LED Power, 2) LED function indicator, 3) Sn, 4) LED N.C. function active, 5) Switching stage NPN, active, 6) LED Error, 7) Plug connection sensor, 8) DIN rail mount 35mm, 9) Flap

**BAE00L9**

**Do you need more details?** Our Product Finder at [www.balluff.com](http://www.balluff.com) provides you with product-specific information, including technical drawings, data sheets, user guides and more for each individual product. All items are available for download.





Normally open		<b>BCS000K</b> BCS M18KM3-U0T80G-BV02	
Normally closed		<b>BCS000J</b> BCS M18KM3-U0T80G-BV02	
Analog, current falling on approach			
With sensor amplifier	<b>BCS013E</b> BCS Z094401-XXS20B-SZ02-T07		
Dimension	Ø 18 x 38.5 mm	Ø 18 x 84 mm	
Series	Z09	M18	
Thread (A)	M12x1	M18x1	
Installation	for flush mounting	non-flush	
Connection	Connector-triaxial plug	Cable, 2.00 m, PVC	
Switching frequency	5 Hz	40 Hz	
Interface	Special interface	—	
Range	0.1...2 mm	0...6.5 mm	
Sensitivity	adjustable on base unit	Switching distance adjustable	
Housing material	Stainless steel (1.4104)	PBT	
Material sensing surface	Stainless steel (1.4301) epoxy	PBT	
Ambient temperature	0...180 °C	-25...80 °C	
Pressure rating max.	150 bar	—	
Operating voltage U <sub>b</sub>	—	20...250 VDC/20...250 VAC	
Approval/Conformity	CE	CE	
Protection degree	IP68	IP67	
Productview	Page 352	Page 352	



	<b>BCW0001</b> BCW M18B4M1-ICM80C-DV02			
		<b>BCS00A3</b> BCS S10T401-XXSFNC-SZ02-T07	<b>BCS00A5</b> BCS S10T403-XXSFNC-SZ02-T07	<b>BCS00A1</b> BCS M18T4H1-XXS10H-SZ02-T08
	Ø 18 x 70 mm	Ø 18 x 61 mm	Ø 18 x 61 mm	Ø 18 x 65 mm
	M18	S10	S10	M18
	M18x1	M18x1	J 3/8" NPTF	M18x1
	for flush mounting	non-flush	non-flush	non-flush
	Cable, 2.00 m, PVC	Connector, Special connector-Special connector	Connector, Special connector-Special connector	Connector, Special connector-Special connector
	100 Hz	5 Hz	100 Hz	50 Hz
	—	Special interface	Special interface	Special interface
	0...8 mm	—	—	1...10 mm
	—	adjustable on base unit	adjustable on base unit	adjustable on base unit
	Stainless steel	Stainless steel (1.4301)	Stainless steel (1.4301)	Stainless steel (1.4301)
	PBT	PTFE	PTFE	PTFE
	10...55 °C	-10...180 °C	-10...180 °C	-180...250 °C
	—	6 bar	6 bar	—
	12...35 VDC	—	—	—
	CE, cULus	CE	CE	CE
	IP67	IP68	IP68	IP66
	Page 352	Page 352	Page 353	Page 352



PNP normally open/normally closed	<b>BCS00W7</b> BCS G20L4Q-PAC10C-EV03-D03		
Normally open		<b>BCS000W</b> BCS M30KN2-UST15G-AV02	
Normally closed		<b>BCS000U</b> BCS M30KN2-UOT15G-AV02	
With sensor amplifier			
Dimension	Ø 20 x 81 mm	Ø 30 x 99 mm	
Series	G20	M30	
Thread (A)	—	M30x1.5	
Installation	for flush mounting	non-flush	
Connection	Cable, 3.00 m, PVC	Cable, 2.00 m, PVC	
Switching frequency	100 Hz	100 Hz	
Interface	—	—	
Range	1.5...10 mm	0...12.1 mm	
Sensitivity	Switching distance adjustable	Switching distance adjustable	
Housing material	Stainless steel (1.4301)	PBT	
Material sensing surface	LCP	PBT	
Ambient temperature	-25...70 °C	-25...70 °C	
Pressure rating max.	—	—	
Operating voltage Ub	10...30 VDC	20...250 VDC/20...250 VAC	
Approval/Conformity	CE	CE	
Protection degree	IP65	IP65	
Productview	Page 352	Page 352	



	<b>BCS00A2</b> BCS M30T4G1-XXS20H-SZ02-T08	<b>BCS000Y</b> BCS F01CP01-XXS10C-EP02-GZ01-002	<b>BCW0004</b> BCW F03EA85-XXSFNC-EP00,3-GZ01	
	Ø 30 x 65 mm	90 x 16 x 4 mm	33 x 2 x 850 mm	
	M30	F01	F03	
	M30x1.5	—	—	
	non-flush	flush with container outer wall	flush with container outer wall	
	Connector, Special connector-Special connector	Cable with connector, Special connector-Special connector, 2.00 m, PUR	Cable with connector, Binder 719, 3-pin, 0.3 m, TPU	
	100 Hz	100 Hz	50 Hz	
	Special interface	Special interface	Special interface	
	1...20 mm	2...10 mm	—	
	adjustable on base unit	adjustable on base unit	adjustable on base unit	
	Stainless steel (1.4301)	PC PUR	PET PA	
	PTFE	PUR	3M VHB 5925	
	-180...250 °C	0...60 °C	0...60 °C	
	—	—	—	
	—	4...8 VDC	3...8 VDC	
	CE	CE, cULus	CE, UL Listed	
	IP66	IP60	IP64	
	Page 352	Page 353	Page 353	

Sensors

RFID

Machine Vision and Optical Identification

Human Machine Interfaces

Systems

Safety

Industrial Networking

Power Supply

Connectivity

Accessories



PNP normally open	<b>BCS006H</b> BCS S01T401-PSCFNG-KM16-T02	<b>BCS00A6</b> BCS S03T401-PSCFNH-KM16-T02	
PNP normally closed	<b>BCS006J</b> BCS S01T401-POCFNG-KM16-T02		
NPN normally closed		<b>BCS00A9</b> BCS S03T401-NOCFNH-KM16-T02	
Dimension	54.8 x 48.5 x 106 mm	54.8 x 48.5 x 106 mm	
Series	S01	S03	
Thread (A)	M18x1	J 3/8" NPTF	
Installation	non-flush	non-flush	
Connection	Clamping terminal	Clamping terminal	
Switching frequency	5 Hz	100 Hz	
Interface	—	—	
Range	—	—	
Sensitivity	media-dependent, adjustable	media-dependent, adjustable	
Housing material	Stainless steel (1.4305)	Stainless steel (1.4305)	
Material sensing surface	PTFE	PTFE	
Ambient temperature	-30...125 °C	-30...125 °C	
Pressure rating max.	10 bar	10 bar	
Operating voltage U <sub>b</sub>	10...35 VDC	10...35 VDC	
Approval/Conformity	CE	CE	
Protection degree	IP67	IP67	
Productview	Page 353	Page 353	



<b>BCS006M</b> BCS S02T401-PSCFNG-KM16-T02			
54.8 x 48.5 x 106 mm			
S02			
R 3/8"			
non-flush			
Clamping terminal			
5 Hz			
—			
—			
media-dependent, adjustable			
Stainless steel (1.4305)			
PTFE			
-30...125 °C			
10 bar			
10...35 VDC			
CE			
IP67			
Page 353			

Sensors

RFID

Machine Vision and  
Optical Identification

Human Machine  
Interfaces

Systems

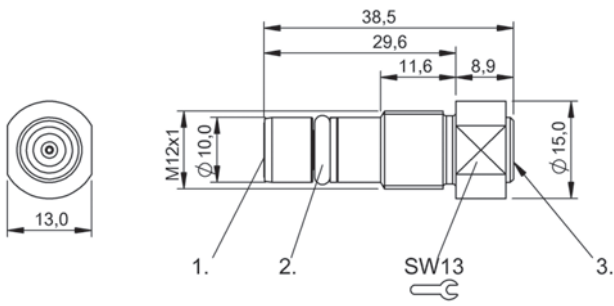
Safety

Industrial Networking

Power Supply

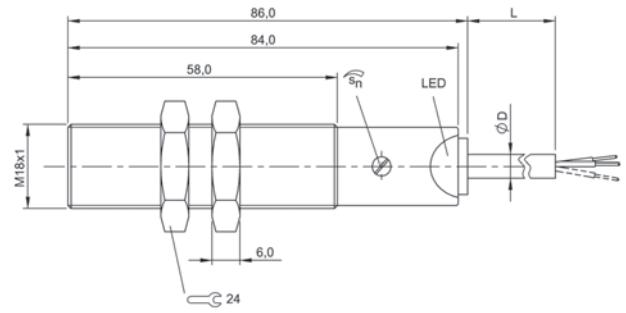
Connectivity

Accessories

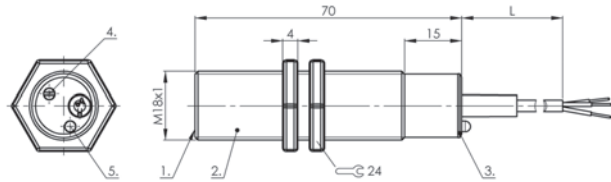


1) Sensing surface, 2) O-Ring with thrust ring, 3) Triaxial connector

**BCS013E**

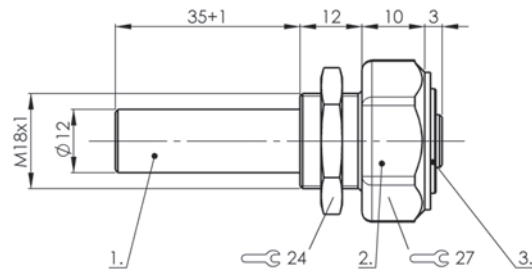


**BCS000K, BCS000J**



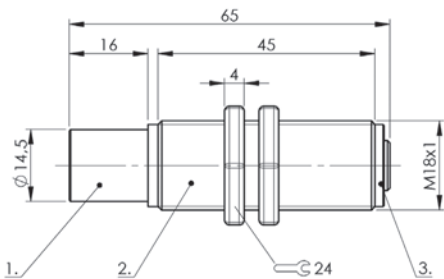
1) Sensing surface, 2) Housing, 3) Cover, 4) Potentiometer, 5) LED function indicator

**BCW0001**



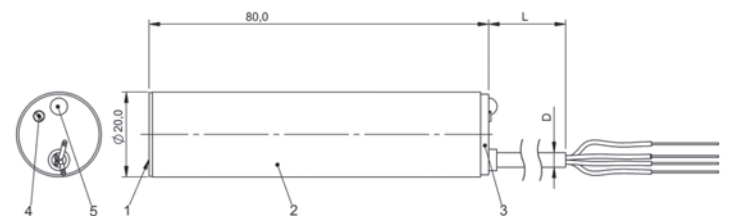
1) Sensing surface, 2) Housing, 3) Cover

**BCS00A3**



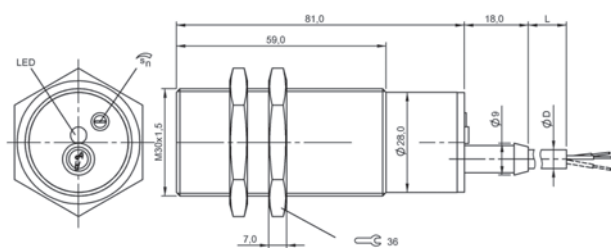
1) Sensing surface, 2) Housing, 3) Cover

**BCS00A1**

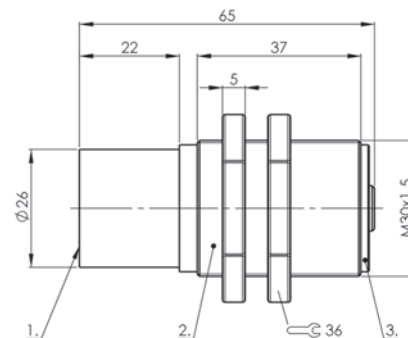


1) Sensing surface, 2) Housing, 3) Cover, 4) Potentiometer, 5) Function indicator yellow

**BCS00W7**

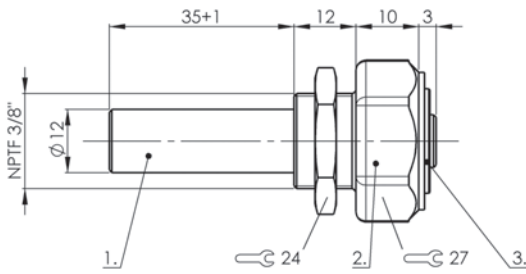


**BCS000W, BCS000U**



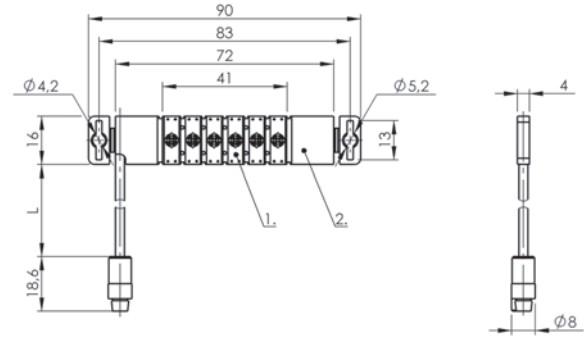
1) Sensing surface, 2) Housing, 3) Cover

**BCS00A2**



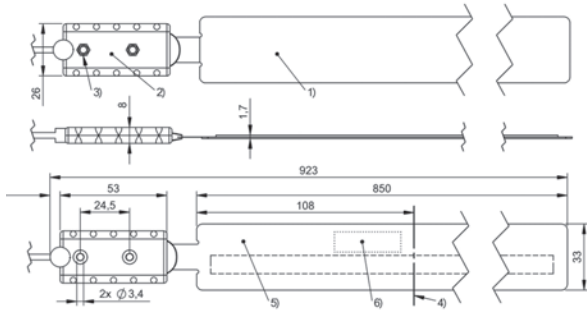
1) Sensing surface, 2) Housing, 3) Cover

**BCS00A5**



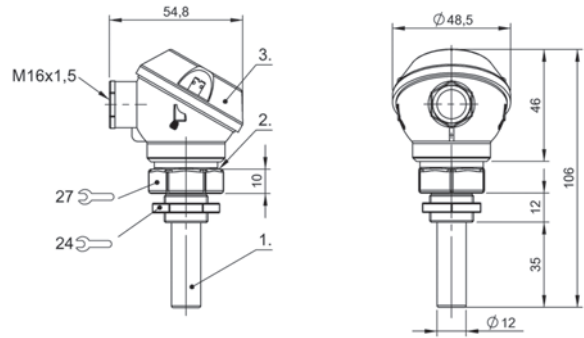
1) Sensing surface, 2) Housing

**BCS000Y**



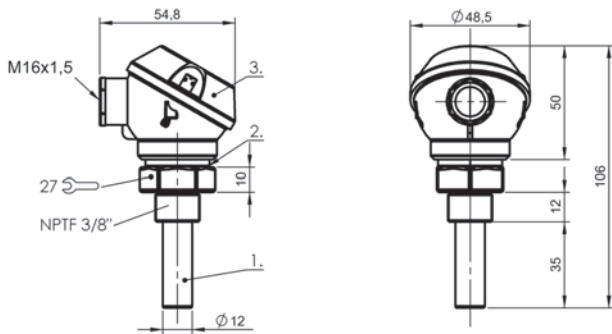
1) Length of stick-on electronics, 2) Measuring length min., 3) Length of electronics box, 4) Hole spacing, 5) Cable length, 6) Width of stick-on electrode

**BCW0004**



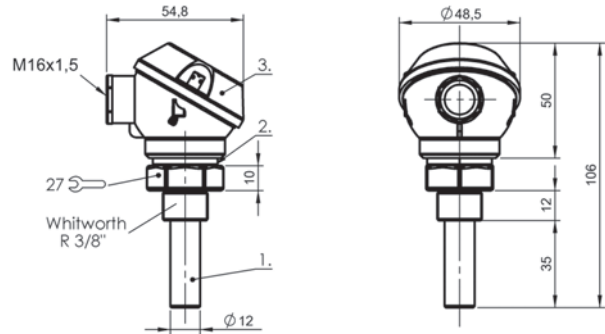
1) Sensing surface, 2) Housing, 3) Cover

**BCS006H, BCS006J**



1) Sensing surface, 2) Housing, 3) Cover

**BCS00A9, BCS00A6**



1) Sensing surface, 2) Housing, 3) Cover

**BCS006M**