



Compact and convenient measurement and monitoring

PRESSURE SENSORS



Our high-end pressure transmitters are optimally suited for pressure monitoring and pressure measurement of gaseous, fluid and viscous media. With their rotatable housing and the simple, VDMA-compliant programming, they can be flexibly mounted as well as conveniently serviced. The bright LED display always gives you an overview of the current system pressure.

The most important benefits

- Compact and rugged as a transmitter
- Convenient to operate, with a very legible display
- Pressure range $-1 \dots 600$ bar
- Process connection $G\frac{1}{2}"$, $G\frac{1}{2}"$, $R\frac{1}{4}"$, $NPT\frac{1}{4}"$
- Flush with the front surface in $G\frac{1}{2}"$ and Tri-Clamp $1\frac{1}{2}"$
- Output $4 \dots 20$ mA, $0 \dots 10$ V, switching points (NPN/PNP) and IO-Link
- Fluid temperature $-40 \dots +125$ °C
- Enclosure rating IP67
- UL approval
- Compact with M12 connection
- Stainless steel or PVDF process connection
- Dual rotation – easily installed
- Pressure values directly via IO-Link



	BSP00KP BSP B002-HV004-A04A1A-S4	BSP00KM BSP V002-HV004-A04A1A-S4	BSP00KR BSP B005-HV004-A04A1A-S4	
Measuring range	0...2 bar	-1...2 bar	0...5 bar	
Accuracy	±0.5 % FSO BFSL	±0.5 % FSO BFSL	±0.5 % FSO BFSL	
Overload pressure	4 bar	4 bar	12 bar	
Burst pressure	10.00 bar	10.00 bar	15.00 bar	
Operating voltage U _b	14...30 VDC	14...30 VDC	14...30 VDC	
Interface	—	—	—	
Analog output	Analog, voltage 0...10 V	Analog, voltage 0...10 V	Analog, voltage 0...10 V	
Switching output	—	—	—	
Connection	Connector, M12x1 connector, 4-pin	Connector, M12x1 connector, 4-pin	Connector, M12x1 connector, 4-pin	
Process connection	G 1/2" (DIN 3852)	G 1/2" (DIN 3852)	G 1/2" (DIN 3852)	
Process connection material	Stainless steel (1.4301)	Stainless steel (1.4301)	Stainless steel (1.4301)	
Gasket, material	Fluoroelastomer	Fluoroelastomer	Fluoroelastomer	
Housing material	Stainless steel (1.4301)	Stainless steel (1.4301)	Stainless steel (1.4301)	
Media temperature	-40...125 °C	-40...125 °C	-40...125 °C	
Ambient temperature	-40...85 °C	-40...85 °C	-40...85 °C	
Protection degree	IP67	IP67	IP67	
Approval/Conformity	CE, cULus	CE, cULus	CE, cULus	
Productview	Page 338	Page 338	Page 338	



BSP00KT BSP B010-HV004-A04A1A-S4	BSP00KN BSP V010-HV004-A04A1A-S4	BSP00KU BSP B020-HV004-A04A1A-S4	BSP00KW BSP B050-HV004-A04A1A-S4	BSP00KY BSP B100-HV004-A04A1A-S4
0...10 bar	-1...10 bar	0...20 bar	0...50 bar	0...100 bar
±0.5 % FSO BFSL	±0.5 % FSO BFSL	±0.5 % FSO BFSL	±0.5 % FSO BFSL	±0.5 % FSO BFSL
20 bar	20 bar	50 bar	120 bar	200 bar
35.00 bar	35.00 bar	70.00 bar	150.00 bar	300.00 bar
14...30 VDC	14...30 VDC	14...30 VDC	14...30 VDC	14...30 VDC
—	—	—	—	—
Analog, voltage 0...10 V	Analog, voltage 0...10 V	Analog, voltage 0...10 V	Analog, voltage 0...10 V	Analog, voltage 0...10 V
—	—	—	—	—
Connector, M12x1 connector, 4-pin	Connector, M12x1 connector, 4-pin	Connector, M12x1 connector, 4-pin	Connector, M12x1 connector, 4-pin	Connector, M12x1 connector, 4-pin
G 1/2" (DIN 3852)	G 1/2" (DIN 3852)	G 1/2" (DIN 3852)	G 1/2" (DIN 3852)	G 1/2" (DIN 3852)
Stainless steel (1.4301)	Stainless steel (1.4301)	Stainless steel (1.4301)	Stainless steel (1.4301)	Stainless steel (1.4301)
Fluoroelastomer	Fluoroelastomer	Fluoroelastomer	Fluoroelastomer	Fluoroelastomer
Stainless steel (1.4301)	Stainless steel (1.4301)	Stainless steel (1.4301)	Stainless steel (1.4301)	Stainless steel (1.4301)
-40...125 °C	-40...125 °C	-40...125 °C	-40...125 °C	-40...125 °C
-40...85 °C	-40...85 °C	-40...85 °C	-40...85 °C	-40...85 °C
IP67	IP67	IP67	IP67	IP67
CE, cULus	CE, cULus	CE, cULus	CE, cULus	CE, cULus
Page 338	Page 338	Page 338	Page 338	Page 338



	BSP00KZ BSP B250-HV004-A04A1A-S4	BSP00LO BSP B400-HV004-A04A1A-S4	BSP00L1 BSP B600-HV004-A04A1A-S4	
Measuring range	0...250 bar	0...400 bar	0...600 bar	
Accuracy	±0.5 % FSO BFSL	±0.5 % FSO BFSL	±0.5 % FSO BFSL	
Overload pressure	400 bar	1200 bar	1200 bar	
Burst pressure	750.00 bar	1500.00 bar	1800.00 bar	
Operating voltage U _b	14...30 VDC	14...30 VDC	14...30 VDC	
Interface	—	—	—	
Analog output	Analog, voltage 0...10 V	Analog, voltage 0...10 V	Analog, voltage 0...10 V	
Switching output	—	—	—	
Connection	Connector, M12x1 connector, 4-pin	Connector, M12x1 connector, 4-pin	Connector, M12x1 connector, 4-pin	
Process connection	G 1/2" (DIN 3852)	G 1/2" (DIN 3852)	G 1/2" (DIN 3852)	
Process connection material	Stainless steel (1.4301)	Stainless steel (1.4571)	Stainless steel (1.4571)	
Gasket, material	Fluoroelastomer	without, welded	without, welded	
Housing material	Stainless steel (1.4301)	Stainless steel (1.4301)	Stainless steel (1.4301)	
Media temperature	-40...125 °C	-40...125 °C	-40...125 °C	
Ambient temperature	-40...85 °C	-40...85 °C	-40...85 °C	
Protection degree	IP67	IP67	IP67	
Approval/Conformity	CE, cULus	CE, cULus	CE	
Productview	Page 338	Page 338	Page 338	



BSP00JH BSP B002-DV004-A04A1A-S4	BSP00JE BSP V002-DV004-A04A1A-S4	BSP00JJ BSP B005-DV004-A04A1A-S4	BSP00L8 BSP B006-DV004-A04A1A-S4	BSP00JK BSP B010-DV004-A04A1A-S4
0...2 bar	-1...2 bar	0...5 bar	0...6 bar	0...10 bar
±0.5 % FSO BFSL	±0.5 % FSO BFSL	±0.5 % FSO BFSL	±0.5 % FSO BFSL	±0.5 % FSO BFSL
4 bar	4 bar	12 bar	12 bar	20 bar
10.00 bar	10.00 bar	15.00 bar	18.00 bar	35.00 bar
14...30 VDC	14...30 VDC	14...30 VDC	14...30 VDC	14...30 VDC
—	—	—	—	—
Analog, voltage 0...10 V	Analog, voltage 0...10 V	Analog, voltage 0...10 V	Analog, voltage 0...10 V	Analog, voltage 0...10 V
—	—	—	—	—
Connector, M12x1 connector, 4-pin	Connector, M12x1 connector, 4-pin	Connector, M12x1 connector, 4-pin	Connector, M12x1 connector, 4-pin	Connector, M12x1 connector, 4-pin
G 1/4" (DIN 3852)	G 1/4" (DIN 3852)	G 1/4" (DIN 3852)	G 1/4" (DIN 3852)	G 1/4" (DIN 3852)
Stainless steel (1.4301)	Stainless steel (1.4301)	Stainless steel (1.4301)	Stainless steel (1.4301)	Stainless steel (1.4301)
Fluoroelastomer	Fluoroelastomer	Fluoroelastomer	Fluoroelastomer	Fluoroelastomer
Stainless steel (1.4301)	Stainless steel (1.4301)	Stainless steel (1.4301)	Stainless steel (1.4301)	Stainless steel (1.4301)
-40...125 °C	-40...125 °C	-40...125 °C	-40...125 °C	-40...125 °C
-40...85 °C	-40...85 °C	-40...85 °C	-40...85 °C	-40...85 °C
IP67	IP67	IP67	IP67	IP67
CE, cULus	CE, cULus	CE, cULus	CE, cULus	CE, cULus
Page 338	Page 338	Page 338	Page 338	Page 338



	BSP00JF BSP V010-DV004-A04A1A-S4	BSP00JL BSP B020-DV004-A04A1A-S4	BSP00JM BSP B050-DV004-A04A1A-S4	
Measuring range	-1...10 bar	0...20 bar	0...50 bar	
Accuracy	±0.5 % FSO BFSL	±0.5 % FSO BFSL	±0.5 % FSO BFSL	
Overload pressure	20 bar	50 bar	120 bar	
Burst pressure	35.00 bar	70.00 bar	150.00 bar	
Operating voltage U _b	14...30 VDC	14...30 VDC	14...30 VDC	
Interface	—	—	—	
Analog output	Analog, voltage 0...10 V	Analog, voltage 0...10 V	Analog, voltage 0...10 V	
Switching output	—	—	—	
Connection	Connector, M12x1 connector, 4-pin	Connector, M12x1 connector, 4-pin	Connector, M12x1 connector, 4-pin	
Process connection	G 1/4" (DIN 3852)	G 1/4" (DIN 3852)	G 1/4" (DIN 3852)	
Process connection material	Stainless steel (1.4301)	Stainless steel (1.4301)	Stainless steel (1.4301)	
Gasket, material	Fluoroelastomer	Fluoroelastomer	Fluoroelastomer	
Housing material	Stainless steel (1.4301)	Stainless steel (1.4301)	Stainless steel (1.4301)	
Media temperature	-40...125 °C	-40...125 °C	-40...125 °C	
Ambient temperature	-40...85 °C	-40...85 °C	-40...85 °C	
Protection degree	IP67	IP67	IP67	
Approval/Conformity	CE, cULus	CE, cULus	CE, cULus	
Productview	Page 338	Page 338	Page 338	



	BSP00.JN BSP B100-DV004-A04A1A-S4	BSP00.JP BSP B250-DV004-A04A1A-S4	BSP00.JR BSP B400-DV004-A04A1A-S4	BSP00.JT BSP B600-DV004-A04A1A-S4	BSP00.JY BSP B002-FV004-A04A1A-S4
	0...100 bar	0...250 bar	0...400 bar	0...600 bar	0...2 bar
	±0.5 % FSO BFSL	±0.5 % FSO BFSL	±0.5 % FSO BFSL	±0.5 % FSO BFSL	±0.5 % FSO BFSL
	200 bar	400 bar	1200 bar	1200 bar	4 bar
	300.00 bar	750.00 bar	1500.00 bar	1800.00 bar	10.00 bar
	14...30 VDC	14...30 VDC	14...30 VDC	14...30 VDC	14...30 VDC
	—	—	—	—	—
	Analog, voltage 0...10 V	Analog, voltage 0...10 V	Analog, voltage 0...10 V	Analog, voltage 0...10 V	Analog, voltage 0...10 V
	—	—	—	—	—
	Connector, M12x1 connector, 4-pin	Connector, M12x1 connector, 4-pin	Connector, M12x1 connector, 4-pin	Connector, M12x1 connector, 4-pin	Connector, M12x1 connector, 4-pin
	G 1/4" (DIN 3852)	G 1/4" (DIN 3852)	G 1/4" (DIN 3852)	G 1/4" (DIN 3852)	NPT 1/4"
	Stainless steel (1.4301)	Stainless steel (1.4301)	Stainless steel (1.4571)	Stainless steel (1.4571)	Stainless steel (1.4301)
	Fluoroelastomer	Fluoroelastomer	without, welded	without, welded	Fluoroelastomer
	Stainless steel (1.4301)	Stainless steel (1.4301)	Stainless steel (1.4301)	Stainless steel (1.4301)	Stainless steel (1.4301)
	-40...125 °C	-40...125 °C	-40...125 °C	-40...125 °C	-40...125 °C
	-40...85 °C	-40...85 °C	-40...85 °C	-40...85 °C	-40...85 °C
	IP67	IP67	IP67	IP67	IP67
	CE, cULus	CE, cULus	CE, cULus	CE	CE, cULus
	Page 338	Page 338	Page 339	Page 339	Page 339



	BSP00JU BSP V002-FV004-A04A1A-S4	BSP00JZ BSP B005-FV004-A04A1A-S4	BSP00KO BSP B010-FV004-A04A1A-S4	
Measuring range	-1...2 bar	0...5 bar	0...10 bar	
Accuracy	±0.5 % FSO BFSL	±0.5 % FSO BFSL	±0.5 % FSO BFSL	
Overload pressure	4 bar	12 bar	20 bar	
Burst pressure	10.00 bar	15.00 bar	35.00 bar	
Operating voltage U _b	14...30 VDC	14...30 VDC	14...30 VDC	
Interface	—	—	—	
Analog output	Analog, voltage 0...10 V	Analog, voltage 0...10 V	Analog, voltage 0...10 V	
Switching output	—	—	—	
Connection	Connector, M12x1 connector, 4-pin	Connector, M12x1 connector, 4-pin	Connector, M12x1 connector, 4-pin	
Process connection	NPT 1/4"	NPT 1/4"	NPT 1/4"	
Process connection material	Stainless steel (1.4301)	Stainless steel (1.4301)	Stainless steel (1.4301)	
Gasket, material	Fluoroelastomer	Fluoroelastomer	Fluoroelastomer	
Housing material	Stainless steel (1.4301)	Stainless steel (1.4301)	Stainless steel (1.4301)	
Media temperature	-40...125 °C	-40...125 °C	-40...125 °C	
Ambient temperature	-40...85 °C	-40...85 °C	-40...85 °C	
Protection degree	IP67	IP67	IP67	
Approval/Conformity	CE, cULus	CE, cULus	CE, cULus	
Productview	Page 340	Page 339	Page 339	



BSP00JW BSP V010-FV004-A04A1A-S4	BSP00K1 BSP B020-FV004-A04A1A-S4	BSP00K2 BSP B050-FV004-A04A1A-S4	BSP00K3 BSP B100-FV004-A04A1A-S4	BSP00K4 BSP B250-FV004-A04A1A-S4
-1...10 bar	0...20 bar	0...50 bar	0...100 bar	0...250 bar
±0.5 % FSO BFSL	±0.5 % FSO BFSL	±0.5 % FSO BFSL	±0.5 % FSO BFSL	±0.5 % FSO BFSL
20 bar	50 bar	120 bar	200 bar	400 bar
35.00 bar	70.00 bar	150.00 bar	300.00 bar	750.00 bar
14...30 VDC	14...30 VDC	14...30 VDC	14...30 VDC	14...30 VDC
—	—	—	—	—
Analog, voltage 0...10 V	Analog, voltage 0...10 V	Analog, voltage 0...10 V	Analog, voltage 0...10 V	Analog, voltage 0...10 V
—	—	—	—	—
Connector, M12x1 connector, 4-pin	Connector, M12x1 connector, 4-pin	Connector, M12x1 connector, 4-pin	Connector, M12x1 connector, 4-pin	Connector, M12x1 connector, 4-pin
NPT 1/4"	NPT 1/4"	NPT 1/4"	NPT 1/4"	NPT 1/4"
Stainless steel (1.4301)	Stainless steel (1.4301)	Stainless steel (1.4301)	Stainless steel (1.4301)	Stainless steel (1.4301)
Fluoroelastomer	Fluoroelastomer	Fluoroelastomer	Fluoroelastomer	Fluoroelastomer
Stainless steel (1.4301)	Stainless steel (1.4301)	Stainless steel (1.4301)	Stainless steel (1.4301)	Stainless steel (1.4301)
-40...125 °C	-40...125 °C	-40...125 °C	-40...125 °C	-40...125 °C
-40...85 °C	-40...85 °C	-40...85 °C	-40...85 °C	-40...85 °C
IP67	IP67	IP67	IP67	IP67
CE, cULus	CE, cULus	CE, cULus	CE, cULus	CE, cULus
Page 340	Page 339	Page 339	Page 339	Page 339



	BSP00K5 BSP B400-FV004-A04A1A-S4	BSP00K6 BSP B600-FV004-A04A1A-S4	BSP00K9 BSP B002-KV004-A04A1A-S4	
Measuring range	0...400 bar	0...600 bar	0...2 bar	
Accuracy	±0.5 % FSO BFSL	±0.5 % FSO BFSL	±0.5 % FSO BFSL	
Overload pressure	1200 bar	1200 bar	4 bar	
Burst pressure	1500.00 bar	1800.00 bar	10.00 bar	
Operating voltage U _b	14...30 VDC	14...30 VDC	14...30 VDC	
Interface	—	—	—	
Analog output	Analog, voltage 0...10 V	Analog, voltage 0...10 V	Analog, voltage 0...10 V	
Switching output	—	—	—	
Connection	Connector, M12x1 connector, 4-pin	Connector, M12x1 connector, 4-pin	Connector, M12x1 connector, 4-pin	
Process connection	NPT 1/4"	NPT 1/4"	R 1/4"	
Process connection material	Stainless steel (1.4571)	Stainless steel (1.4571)	Stainless steel (1.4301)	
Gasket, material	without, welded	without, welded	Fluoroelastomer	
Housing material	Stainless steel (1.4301)	Stainless steel (1.4301)	Stainless steel (1.4301)	
Media temperature	-40...125 °C	-40...125 °C	-40...125 °C	
Ambient temperature	-40...85 °C	-40...85 °C	-40...85 °C	
Protection degree	IP67	IP67	IP67	
Approval/Conformity	CE, cULus	CE	CE, cULus	
Productview	Page 340	Page 340	Page 340	



BSP00K7 BSP V002-KV004-A04A1A-S4	BSP00KA BSP B005-KV004-A04A1A-S4	BSP00KC BSP B010-KV004-A04A1A-S4	BSP00K8 BSP V010-KV004-A04A1A-S4	BSP00KE BSP B020-KV004-A04A1A-S4
-1...2 bar	0...5 bar	0...10 bar	-1...10 bar	0...20 bar
±0.5 % FSO BFSL	±0.5 % FSO BFSL	±0.5 % FSO BFSL	±0.5 % FSO BFSL	±0.5 % FSO BFSL
4 bar	12 bar	20 bar	20 bar	50 bar
10.00 bar	15.00 bar	35.00 bar	35.00 bar	70.00 bar
14...30 VDC	14...30 VDC	14...30 VDC	14...30 VDC	14...30 VDC
—	—	—	—	—
Analog, voltage 0...10 V	Analog, voltage 0...10 V	Analog, voltage 0...10 V	Analog, voltage 0...10 V	Analog, voltage 0...10 V
—	—	—	—	—
Connector, M12x1 connector, 4-pin	Connector, M12x1 connector, 4-pin	Connector, M12x1 connector, 4-pin	Connector, M12x1 connector, 4-pin	Connector, M12x1 connector, 4-pin
R 1/4"	R 1/4"	R 1/4"	R 1/4"	R 1/4"
Stainless steel (1.4301)	Stainless steel (1.4301)	Stainless steel (1.4301)	Stainless steel (1.4301)	Stainless steel (1.4301)
Fluoroelastomer	Fluoroelastomer	Fluoroelastomer	Fluoroelastomer	Fluoroelastomer
Stainless steel (1.4301)	Stainless steel (1.4301)	Stainless steel (1.4301)	Stainless steel (1.4301)	Stainless steel (1.4301)
-40...125 °C	-40...125 °C	-40...125 °C	-40...125 °C	-40...125 °C
-40...85 °C	-40...85 °C	-40...85 °C	-40...85 °C	-40...85 °C
IP67	IP67	IP67	IP67	IP67
CE, cULus	CE, cULus	CE, cULus	CE, cULus	CE, cULus
Page 340	Page 340	Page 340	Page 340	Page 340



	BSP00KF BSP B050-KV004-A04A1A-S4	BSP00KH BSP B100-KV004-A04A1A-S4	BSP00KJ BSP B250-KV004-A04A1A-S4	
Measuring range	0...50 bar	0...100 bar	0...250 bar	
Accuracy	±0.5 % FSO BFSL	±0.5 % FSO BFSL	±0.5 % FSO BFSL	
Overload pressure	120 bar	200 bar	400 bar	
Burst pressure	150.00 bar	300.00 bar	750.00 bar	
Operating voltage U_b	14...30 VDC	14...30 VDC	14...30 VDC	
Interface	—	—	—	
Analog output	Analog, voltage 0...10 V	Analog, voltage 0...10 V	Analog, voltage 0...10 V	
Switching output	—	—	—	
Connection	Connector, M12x1 connector, 4-pin	Connector, M12x1 connector, 4-pin	Connector, M12x1 connector, 4-pin	
Process connection	R 1/4"	R 1/4"	R 1/4"	
Process connection material	Stainless steel (1.4301)	Stainless steel (1.4301)	Stainless steel (1.4301)	
Gasket, material	Fluoroelastomer	Fluoroelastomer	Fluoroelastomer	
Housing material	Stainless steel (1.4301)	Stainless steel (1.4301)	Stainless steel (1.4301)	
Media temperature	-40...125 °C	-40...125 °C	-40...125 °C	
Ambient temperature	-40...85 °C	-40...85 °C	-40...85 °C	
Protection degree	IP67	IP67	IP67	
Approval/Conformity	CE, cULus	CE, cULus	CE, cULus	
Productview	Page 340	Page 340	Page 340	



BSP00KK BSP B400-KV004-A04A1A-S4	BSP00KL BSP B600-KV004-A04A1A-S4	BSP00J4 BSP B002-HV004-A06A1A-S4	BSP00J2 BSP V002-HV004-A06A1A-S4	BSP00J5 BSP B005-HV004-A06A1A-S4
0...400 bar	0...600 bar	0...2 bar	-1...2 bar	0...5 bar
±0.5 % FSO BFSL	±0.5 % FSO BFSL	±0.5 % FSO BFSL	±0.5 % FSO BFSL	±0.5 % FSO BFSL
1200 bar	1200 bar	4 bar	4 bar	12 bar
1500.00 bar	1800.00 bar	10.00 bar	10.00 bar	15.00 bar
14...30 VDC	14...30 VDC	8...32 VDC	8...32 VDC	8...32 VDC
—	—	—	—	—
Analog, voltage 0...10 V	Analog, voltage 0...10 V	Analog, current 4...20 mA	Analog, current 4...20 mA	Analog, current 4...20 mA
—	—	—	—	—
Connector, M12x1 connector, 4-pin	Connector, M12x1 connector, 4-pin	Connector, M12x1 connector, 4-pin	Connector, M12x1 connector, 4-pin	Connector, M12x1 connector, 4-pin
R 1/4"	R 1/4"	G 1/2" (DIN 3852)	G 1/2" (DIN 3852)	G 1/2" (DIN 3852)
Stainless steel (1.4571)	Stainless steel (1.4571)	Stainless steel (1.4301)	Stainless steel (1.4301)	Stainless steel (1.4301)
without, welded	without, welded	Fluoroelastomer	Fluoroelastomer	Fluoroelastomer
Stainless steel (1.4301)	Stainless steel (1.4301)	Stainless steel (1.4301)	Stainless steel (1.4301)	Stainless steel (1.4301)
-40...125 °C	-40...125 °C	-40...125 °C	-40...125 °C	-40...125 °C
-40...85 °C	-40...85 °C	-40...85 °C	-40...85 °C	-40...85 °C
IP67	IP67	IP67	IP67	IP67
CE, cULus	CE	CE, cULus	CE, cULus	CE, cULus
Page 341	Page 341	Page 338	Page 338	Page 338



	BSP00J6 BSP B010-HV004-A06A1A-S4	BSP00J3 BSP V010-HV004-A06A1A-S4	BSP00J7 BSP B020-HV004-A06A1A-S4	
Measuring range	0...10 bar	-1...10 bar	0...20 bar	
Accuracy	±0.5 % FSO BFSL	±0.5 % FSO BFSL	±0.5 % FSO BFSL	
Overload pressure	20 bar	20 bar	50 bar	
Burst pressure	35.00 bar	35.00 bar	70.00 bar	
Operating voltage U _b	8...32 VDC	8...32 VDC	8...32 VDC	
Interface	—	—	—	
Analog output	Analog, current 4...20 mA	Analog, current 4...20 mA	Analog, current 4...20 mA	
Switching output	—	—	—	
Connection	Connector, M12x1 connector, 4-pin	Connector, M12x1 connector, 4-pin	Connector, M12x1 connector, 4-pin	
Process connection	G 1/2" (DIN 3852)	G 1/2" (DIN 3852)	G 1/2" (DIN 3852)	
Process connection material	Stainless steel (1.4301)	Stainless steel (1.4301)	Stainless steel (1.4301)	
Gasket, material	Fluoroelastomer	Fluoroelastomer	Fluoroelastomer	
Housing material	Stainless steel (1.4301)	Stainless steel (1.4301)	Stainless steel (1.4301)	
Media temperature	-40...125 °C	-40...125 °C	-40...125 °C	
Ambient temperature	-40...85 °C	-40...85 °C	-40...85 °C	
Protection degree	IP67	IP67	IP67	
Approval/Conformity	CE, cULus	CE, cULus	CE, cULus	
Productview	Page 338	Page 338	Page 338	



BSP00J8 BSP B050-HV004-A06A1A-S4	BSP00FT BSP B100-HV004-A06A1A-S4	BSP00FU BSP B160-HV004-A06A1A-S4	BSP00J9 BSP B250-HV004-A06A1A-S4	BSP00JA BSP B400-HV004-A06A1A-S4
0...50 bar	0...100 bar	0...160 bar	0...250 bar	0...400 bar
±0.5 % FSO BFSL	±0.5 % FSO BFSL	±0.5 % FSO BFSL	±0.5 % FSO BFSL	±0.5 % FSO BFSL
120 bar	200 bar	400 bar	400 bar	1200 bar
150.00 bar	300.00 bar	500.00 bar	750.00 bar	1500.00 bar
8...32 VDC	8...32 VDC	8...32 VDC	8...32 VDC	8...32 VDC
—	—	—	—	—
Analog, current 4...20 mA	Analog, current 4...20 mA	Analog, current 4...20 mA	Analog, current 4...20 mA	Analog, current 4...20 mA
—	—	—	—	—
Connector, M12x1 connector, 4-pin	Connector, M12x1 connector, 4-pin	Connector, M12x1 connector, 4-pin	Connector, M12x1 connector, 4-pin	Connector, M12x1 connector, 4-pin
G 1/2" (DIN 3852)	G 1/2" (DIN 3852)	G 1/2" (DIN 3852)	G 1/2" (DIN 3852)	G 1/2" (DIN 3852)
Stainless steel (1.4301)	Stainless steel (1.4301)	Stainless steel (1.4301)	Stainless steel (1.4301)	Stainless steel (1.4571)
Fluoroelastomer	Fluoroelastomer	Fluoroelastomer	Fluoroelastomer	without, welded
Stainless steel (1.4301)	Stainless steel (1.4301)	Stainless steel (1.4301)	Stainless steel (1.4301)	Stainless steel (1.4301)
-40...125 °C	-40...125 °C	-40...125 °C	-40...125 °C	-40...125 °C
-40...85 °C	-40...85 °C	-40...85 °C	-40...85 °C	-40...85 °C
IP67	IP67	IP67	IP67	IP67
CE, cULus	CE, cULus	CE, cULus	CE, cULus	CE, cULus
Page 338	Page 338	Page 338	Page 338	Page 338



	BSP00JC BSP B600-HV004-A06A1A-S4	BSP00FZ BSP B002-DV004-A06A1A-S4	BSP00FW BSP V002-DV004-A06A1A-S4	
Measuring range	0...600 bar	0...2 bar	-1...2 bar	
Accuracy	±0.5 % FSO BFSL	±0.5 % FSO BFSL	±0.5 % FSO BFSL	
Overload pressure	1200 bar	4 bar	4 bar	
Burst pressure	1800.00 bar	10.00 bar	10.00 bar	
Operating voltage U _b	8...32 VDC	8...32 VDC	8...32 VDC	
Interface	—	—	—	
Analog output	Analog, current 4...20 mA	Analog, current 4...20 mA	Analog, current 4...20 mA	
Switching output	—	—	—	
Connection	Connector, M12x1 connector, 4-pin	Connector, M12x1 connector, 4-pin	Connector, M12x1 connector, 4-pin	
Process connection	G 1/2" (DIN 3852)	G 1/4" (DIN 3852)	G 1/4" (DIN 3852)	
Process connection material	Stainless steel (1.4571)	Stainless steel (1.4301)	Stainless steel (1.4301)	
Gasket, material	without, welded	Fluoroelastomer	Fluoroelastomer	
Housing material	Stainless steel (1.4301)	Stainless steel (1.4301)	Stainless steel (1.4301)	
Media temperature	-40...125 °C	-40...125 °C	-40...125 °C	
Ambient temperature	-40...85 °C	-40...85 °C	-40...85 °C	
Protection degree	IP67	IP67	IP67	
Approval/Conformity	CE	CE, cULus	CE, cULus	
Productview	Page 338	Page 338	Page 338	



BSP00H0 BSP B005-DV004-A06A1A-S4	BSP00H1 BSP B010-DV004-A06A1A-S4	BSP00FY BSP V010-DV004-A06A1A-S4	BSP00H2 BSP B020-DV004-A06A1A-S4	BSP00H3 BSP B050-DV004-A06A1A-S4
0...5 bar	0...10 bar	-1...10 bar	0...20 bar	0...50 bar
±0.5 % FSO BFSL	±0.5 % FSO BFSL	±0.5 % FSO BFSL	±0.5 % FSO BFSL	±0.5 % FSO BFSL
12 bar	20 bar	20 bar	50 bar	120 bar
15.00 bar	35.00 bar	35.00 bar	70.00 bar	150.00 bar
8...32 VDC	8...32 VDC	8...32 VDC	8...32 VDC	8...32 VDC
—	—	—	—	—
Analog, current 4...20 mA	Analog, current 4...20 mA	Analog, current 4...20 mA	Analog, current 4...20 mA	Analog, current 4...20 mA
—	—	—	—	—
Connector, M12x1 connector, 4-pin	Connector, M12x1 connector, 4-pin	Connector, M12x1 connector, 4-pin	Connector, M12x1 connector, 4-pin	Connector, M12x1 connector, 4-pin
G 1/4" (DIN 3852)	G 1/4" (DIN 3852)	G 1/4" (DIN 3852)	G 1/4" (DIN 3852)	G 1/4" (DIN 3852)
Stainless steel (1.4301)	Stainless steel (1.4301)	Stainless steel (1.4301)	Stainless steel (1.4301)	Stainless steel (1.4301)
Fluoroelastomer	Fluoroelastomer	Fluoroelastomer	Fluoroelastomer	Fluoroelastomer
Stainless steel (1.4301)	Stainless steel (1.4301)	Stainless steel (1.4301)	Stainless steel (1.4301)	Stainless steel (1.4301)
-40...125 °C	-40...125 °C	-40...125 °C	-40...125 °C	-40...125 °C
-40...85 °C	-40...85 °C	-40...85 °C	-40...85 °C	-40...85 °C
IP67	IP67	IP67	IP67	IP67
CE, cULus	CE, cULus	CE, cULus	CE, cULus	CE, cULus
Page 338	Page 338	Page 338	Page 338	Page 338



	BSP00H4 BSP B100-DV004-A06A1A-S4	BSP00H5 BSP B250-DV004-A06A1A-S4	BSP00F3 BSP B400-DV004-A06A1A-S4	
Measuring range	0...100 bar	0...250 bar	0...400 bar	
Accuracy	±0.5 % FSO BFSL	±0.5 % FSO BFSL	±0.5 % FSO BFSL	
Overload pressure	200 bar	400 bar	1200 bar	
Burst pressure	300.00 bar	750.00 bar	1500.00 bar	
Operating voltage U _b	8...32 VDC	8...32 VDC	8...32 VDC	
Interface	—	—	—	
Analog output	Analog, current 4...20 mA	Analog, current 4...20 mA	Analog, current 4...20 mA	
Switching output	—	—	—	
Connection	Connector, M12x1 connector, 4-pin	Connector, M12x1 connector, 4-pin	Connector, M12x1 connector, 4-pin	
Process connection	G 1/4" (DIN 3852)	G 1/4" (DIN 3852)	G 1/4" (DIN 3852)	
Process connection material	Stainless steel (1.4301)	Stainless steel (1.4301)	Stainless steel (1.4571)	
Gasket, material	Fluoroelastomer	Fluoroelastomer	without, welded	
Housing material	Stainless steel (1.4301)	Stainless steel (1.4301)	Stainless steel (1.4301)	
Media temperature	-40...125 °C	-40...125 °C	-40...125 °C	
Ambient temperature	-40...85 °C	-40...85 °C	-40...85 °C	
Protection degree	IP67	IP67	IP67	
Approval/Conformity	CE, cULus	CE, cULus	CE, cULus	
Productview	Page 338	Page 338	Page 339	



BSP00H6 BSP B600-DV004-A06A1A-S4	BSP00H9 BSP B002-FV004-A06A1A-S4	BSP00H7 BSP V002-FV004-A06A1A-S4	BSP00HA BSP B005-FV004-A06A1A-S4	BSP00HC BSP B010-FV004-A06A1A-S4
0...600 bar	0...2 bar	-1...2 bar	0...5 bar	0...10 bar
±0.5 % FSO BFSL	±0.5 % FSO BFSL	±0.5 % FSO BFSL	±0.5 % FSO BFSL	±0.5 % FSO BFSL
1200 bar	4 bar	4 bar	10 bar	20 bar
1800.00 bar	10.00 bar	10.00 bar	15.00 bar	35.00 bar
8...32 VDC	8...32 VDC	8...32 VDC	8...32 VDC	8...32 VDC
—	—	—	—	—
Analog, current 4...20 mA	Analog, current 4...20 mA	Analog, current 4...20 mA	Analog, current 4...20 mA	Analog, current 4...20 mA
—	—	—	—	—
Connector, M12x1 connector, 4-pin	Connector, M12x1 connector, 4-pin	Connector, M12x1 connector, 4-pin	Connector, M12x1 connector, 4-pin	Connector, M12x1 connector, 4-pin
G 1/4" (DIN 3852)	NPT 1/4"	NPT 1/4"	NPT 1/4"	NPT 1/4"
Stainless steel (1.4571)	Stainless steel (1.4301)	Stainless steel (1.4301)	Stainless steel (1.4301)	Stainless steel (1.4301)
without, welded	Fluoroelastomer	Fluoroelastomer	Fluoroelastomer	Fluoroelastomer
Stainless steel (1.4301)	Stainless steel (1.4301)	Stainless steel (1.4301)	Stainless steel (1.4301)	Stainless steel (1.4301)
-40...125 °C	-40...125 °C	-40...125 °C	-40...125 °C	-40...125 °C
-40...85 °C	-40...85 °C	-40...85 °C	-40...85 °C	-40...85 °C
IP67	IP67	IP67	IP67	IP67
CE	CE, cULus	CE, cULus	CE, cULus	CE, cULus
Page 339	Page 339	Page 340	Page 339	Page 339



	BSP00H8 BSP V010-FV004-A06A1A-S4	BSP00HE BSP B020-FV004-A06A1A-S4	BSP00HF BSP B050-FV004-A06A1A-S4	
Measuring range	-1...10 bar	0...20 bar	0...50 bar	
Accuracy	±0.5 % FSO BFSL	±0.5 % FSO BFSL	±0.5 % FSO BFSL	
Overload pressure	20 bar	50 bar	120 bar	
Burst pressure	35.00 bar	70.00 bar	150.00 bar	
Operating voltage U _b	8...32 VDC	8...32 VDC	8...32 VDC	
Interface	—	—	—	
Analog output	Analog, current 4...20 mA	Analog, current 4...20 mA	Analog, current 4...20 mA	
Switching output	—	—	—	
Connection	Connector, M12x1 connector, 4-pin	Connector, M12x1 connector, 4-pin	Connector, M12x1 connector, 4-pin	
Process connection	NPT 1/4"	NPT 1/4"	NPT 1/4"	
Process connection material	Stainless steel (1.4301)	Stainless steel (1.4301)	Stainless steel (1.4301)	
Gasket, material	Fluoroelastomer	Fluoroelastomer	Fluoroelastomer	
Housing material	Stainless steel (1.4301)	Stainless steel (1.4301)	Stainless steel (1.4301)	
Media temperature	-40...125 °C	-40...125 °C	-40...125 °C	
Ambient temperature	-40...85 °C	-40...85 °C	-40...85 °C	
Protection degree	IP67	IP67	IP67	
Approval/Conformity	CE, cULus	CE, cULus	CE, cULus	
Productview	Page 340	Page 339	Page 339	



BSP00HH BSP B100-FV004-A06A1A-S4	BSP00HJ BSP B250-FV004-A06A1A-S4	BSP00HK BSP B400-FV004-A06A1A-S4	BSP00HL BSP B600-FV004-A06A1A-S4	BSP00HP BSP B002-KV004-A06A1A-S4
0...100 bar	0...250 bar	0...400 bar	0...600 bar	0...2 bar
±0.5 % FSO BFSL	±0.5 % FSO BFSL	±0.5 % FSO BFSL	±0.5 % FSO BFSL	±0.5 % FSO BFSL
200 bar	400 bar	1200 bar	1200 bar	4 bar
300.00 bar	750.00 bar	1500.00 bar	1800.00 bar	10.00 bar
8...32 VDC	8...32 VDC	8...32 VDC	8...32 VDC	8...32 VDC
—	—	—	—	—
Analog, current 4...20 mA	Analog, current 4...20 mA	Analog, current 4...20 mA	Analog, current 4...20 mA	Analog, current 4...20 mA
—	—	—	—	—
Connector, M12x1 connector, 4-pin	Connector, M12x1 connector, 4-pin	Connector, M12x1 connector, 4-pin	Connector, M12x1 connector, 4-pin	Connector, M12x1 connector, 4-pin
NPT 1/4"	NPT 1/4"	NPT 1/4"	NPT 1/4"	R 1/4"
Stainless steel (1.4301)	Stainless steel (1.4301)	Stainless steel (1.4571)	Stainless steel (1.4571)	Stainless steel (1.4301)
Fluoroelastomer	Fluoroelastomer	without, welded	without, welded	Fluoroelastomer
Stainless steel (1.4301)	Stainless steel (1.4301)	Stainless steel (1.4301)	Stainless steel (1.4301)	Stainless steel (1.4301)
-40...125 °C	-40...125 °C	-40...125 °C	-40...125 °C	-40...125 °C
-40...85 °C	-40...85 °C	-40...85 °C	-40...85 °C	-40...85 °C
IP67	IP67	IP67	IP67	IP67
CE, cULus	CE, cULus	CE, cULus	CE	CE, cULus
Page 339	Page 339	Page 340	Page 340	Page 340



	BSP00HM BSP V002-KV004-A06A1A-S4	BSP00HR BSP B005-KV004-A06A1A-S4	BSP00HT BSP B010-KV004-A06A1A-S4	
Measuring range	-1...2 bar	0...5 bar	0...10 bar	
Accuracy	±0.5 % FSO BFSL	±0.5 % FSO BFSL	±0.5 % FSO BFSL	
Overload pressure	4 bar	12 bar	20 bar	
Burst pressure	10.00 bar	15.00 bar	35.00 bar	
Operating voltage U _b	8...32 VDC	8...32 VDC	8...32 VDC	
Interface	—	—	—	
Analog output	Analog, current 4...20 mA	Analog, current 4...20 mA	Analog, current 4...20 mA	
Switching output	—	—	—	
Connection	Connector, M12x1 connector, 4-pin	Connector, M12x1 connector, 4-pin	Connector, M12x1 connector, 4-pin	
Process connection	R 1/4"	R 1/4"	R 1/4"	
Process connection material	Stainless steel (1.4301)	Stainless steel (1.4301)	Stainless steel (1.4301)	
Gasket, material	Fluoroelastomer	Fluoroelastomer	Fluoroelastomer	
Housing material	Stainless steel (1.4301)	Stainless steel (1.4301)	Stainless steel (1.4301)	
Media temperature	-40...125 °C	-40...125 °C	-40...125 °C	
Ambient temperature	-40...85 °C	-40...85 °C	-40...85 °C	
Protection degree	IP67	IP67	IP67	
Approval/Conformity	CE, cULus	CE, cULus	CE, cULus	
Productview	Page 340	Page 340	Page 340	



BSP00HN BSP V010-KV004-A06A1A-S4	BSP00HU BSP B020-KV004-A06A1A-S4	BSP00HW BSP B050-KV004-A06A1A-S4	BSP00HY BSP B100-KV004-A06A1A-S4	BSP00HZ BSP B250-KV004-A06A1A-S4
-1...10 bar	0...20 bar	0...50 bar	0...100 bar	0...250 bar
±0.5 % FSO BFSL	±0.5 % FSO BFSL	±0.5 % FSO BFSL	±0.5 % FSO BFSL	±0.5 % FSO BFSL
20 bar	50 bar	120 bar	200 bar	400 bar
35.00 bar	70.00 bar	150.00 bar	300.00 bar	750.00 bar
8...32 VDC	8...32 VDC	8...32 VDC	8...32 VDC	8...32 VDC
—	—	—	—	—
Analog, current 4...20 mA	Analog, current 4...20 mA	Analog, current 4...20 mA	Analog, current 4...20 mA	Analog, current 4...20 mA
—	—	—	—	—
Connector, M12x1 connector, 4-pin	Connector, M12x1 connector, 4-pin	Connector, M12x1 connector, 4-pin	Connector, M12x1 connector, 4-pin	Connector, M12x1 connector, 4-pin
R 1/4"	R 1/4"	R 1/4"	R 1/4"	R 1/4"
Stainless steel (1.4301)	Stainless steel (1.4301)	Stainless steel (1.4301)	Stainless steel (1.4301)	Stainless steel (1.4301)
Fluoroelastomer	Fluoroelastomer	Fluoroelastomer	Fluoroelastomer	Fluoroelastomer
Stainless steel (1.4301)	Stainless steel (1.4301)	Stainless steel (1.4301)	Stainless steel (1.4301)	Stainless steel (1.4301)
-40...125 °C	-40...125 °C	-40...125 °C	-40...125 °C	-40...125 °C
-40...85 °C	-40...85 °C	-40...85 °C	-40...85 °C	-40...85 °C
IP67	IP67	IP67	IP67	IP67
CE, cULus	CE, cULus	CE, cULus	CE, cULus	CE, cULus
Page 340	Page 340	Page 340	Page 340	Page 340



	BSP00.J0 BSP B400-KV004-A06A1A-S4	BSP00.J1 BSP B600-KV004-A06A1A-S4	BSP00.W2 BSP B001-ZT004-A06A1A-S4-006	
Measuring range	0...400 bar	0...600 bar	0...1 bar	
Accuracy	±0.5 % FSO BFSL	±0.5 % FSO BFSL	±0.18 % FSO BFSL	
Overload pressure	1200 bar	1200 bar	5 bar	
Burst pressure	1500.00 bar	1800.00 bar	7.50 bar	
Operating voltage U _b	8...32 VDC	8...32 VDC	8...32 VDC	
Interface	—	—	—	
Analog output	Analog, current 4...20 mA	Analog, current 4...20 mA	Analog, current 4...20 mA	
Switching output	—	—	—	
Connection	Connector, M12x1 connector, 4-pin	Connector, M12x1 connector, 4-pin	Connector, M12x1 connector, 4-pin	
Process connection	R 1/4"	R 1/4"	1 1/2" Clamp	
Process connection material	Stainless steel (1.4571)	Stainless steel (1.4571)	Stainless steel (1.4404)	
Gasket, material	without, welded	without, welded	without, welded	
Housing material	Stainless steel (1.4301)	Stainless steel (1.4301)	Stainless steel (1.4404)	
Media temperature	-40...125 °C	-40...125 °C	-10...125 °C	
Ambient temperature	-40...85 °C	-40...85 °C	-40...85 °C	
Protection degree	IP67	IP67	IP69K	
Approval/Conformity	CE, cULus	CE	CE	
Productview	Page 341	Page 341	Page 341	



BSP00W3 BSP B002-ZT004-A06A1A-S4-006	BSP00W4 BSP M100-ZT004-A06A1A-S4-006	BSP00W5 BSP M250-ZT004-A06A1A-S4-006	BSP00W6 BSP M500-ZT004-A06A1A-S4-006	BSP00W7 BSP M750-ZT004-A06A1A-S4-006
0...2 bar	0 bar...100 mbar	0 bar...250 mbar	0 bar...500 mbar	0 bar...750 mbar
±0.18 % FSO BFSL	±0.18 % FSO BFSL	±0.18 % FSO BFSL	±0.18 % FSO BFSL	±0.18 % FSO BFSL
10 bar	0.5 bar	1 bar	5 bar	5 bar
15.00 bar	1.50 bar	1.50 bar	7.50 bar	7.50 bar
8...32 VDC	8...32 VDC	8...32 VDC	8...32 VDC	8...32 VDC
—	—	—	—	—
Analog, current 4...20 mA	Analog, current 4...20 mA	Analog, current 4...20 mA	Analog, current 4...20 mA	Analog, current 4...20 mA
—	—	—	—	—
Connector, M12x1 connector, 4-pin	Connector, M12x1 connector, 4-pin	Connector, M12x1 connector, 4-pin	Connector, M12x1 connector, 4-pin	Connector, M12x1 connector, 4-pin
1 1/2" Clamp	1 1/2" Clamp	1 1/2" Clamp	1 1/2" Clamp	1 1/2" Clamp
Stainless steel (1.4404)	Stainless steel (1.4404)	Stainless steel (1.4404)	Stainless steel (1.4404)	Stainless steel (1.4404)
without, welded	without, welded	without, welded	without, welded	without, welded
Stainless steel (1.4404)	Stainless steel (1.4404)	Stainless steel (1.4404)	Stainless steel (1.4404)	Stainless steel (1.4404)
-10...125 °C	-10...125 °C	-10...125 °C	-10...125 °C	-10...125 °C
-40...85 °C	-40...85 °C	-40...85 °C	-40...85 °C	-40...85 °C
IP69K	IP69K	IP69K	IP69K	IP69K
CE	CE	CE	CE	CE
Page 341	Page 341	Page 341	Page 341	Page 341



	BSP00RU BSP B002-HV004-D06S1A-S4	BSP00RR BSP V002-HV004-D06S1A-S4	BSP00RW BSP B005-HV004-D06S1A-S4	
Measuring range	0...2 bar	-1...2 bar	0...5 bar	
Accuracy	±0.5 % FSO BFSL	±0.5 % FSO BFSL	±0.5 % FSO BFSL	
Overload pressure	5 bar	5 bar	12 bar	
Burst pressure	10.00 bar	10.00 bar	15.00 bar	
Operating voltage U _b	18...30 VDC	18...30 VDC	18...30 VDC	
Interface	IO-Link 1.1	IO-Link 1.1	IO-Link 1.1	
Analog output	—	—	—	
Switching output	PNP normally open/normally closed (NO/NC)	PNP normally open/normally closed (NO/NC)	PNP normally open/normally closed (NO/NC)	
Connection	Connector, M12x1 connector, 4-pin	Connector, M12x1 connector, 4-pin	Connector, M12x1 connector, 4-pin	
Process connection	G 1/2" (DIN 3852)	G 1/2" (DIN 3852)	G 1/2" (DIN 3852)	
Process connection material	Stainless steel (1.4301)	Stainless steel (1.4301)	Stainless steel (1.4301)	
Gasket, material	Fluoroelastomer	Fluoroelastomer	Fluoroelastomer	
Housing material	Stainless steel (1.4301)	Stainless steel (1.4301)	Stainless steel (1.4301)	
Media temperature	-40...125 °C	-40...125 °C	-40...125 °C	
Ambient temperature	-25...85 °C	-25...85 °C	-25...85 °C	
Protection degree	IP67	IP67	IP67	
Approval/Conformity	CE, cULus	CE, cULus	CE, cULus	
Productview	Page 338	Page 338	Page 338	



BSP00RY BSP B010-HV004-D06S1A-S4	BSP00RT BSP V010-HV004-D06S1A-S4	BSP00RZ BSP B020-HV004-D06S1A-S4	BSP00T0 BSP B050-HV004-D06S1A-S4	BSP00T1 BSP B100-HV004-D06S1A-S4
0...10 bar	-1...10 bar	0...20 bar	0...50 bar	0...100 bar
±0.5 % FSO BFSL	±0.5 % FSO BFSL	±0.5 % FSO BFSL	±0.5 % FSO BFSL	±0.5 % FSO BFSL
20 bar	20 bar	50 bar	120 bar	200 bar
30.00 bar	35.00 bar	70.00 bar	150.00 bar	300.00 bar
18...30 VDC	18...30 VDC	18...30 VDC	18...30 VDC	18...30 VDC
IO-Link 1.1	IO-Link 1.1	IO-Link 1.1	IO-Link 1.1	IO-Link 1.1
—	—	—	—	—
PNP normally open/normally closed (NO/NC)	PNP normally open/normally closed (NO/NC)	PNP normally open/normally closed (NO/NC)	PNP normally open/normally closed (NO/NC)	PNP normally open/normally closed (NO/NC)
Connector, M12x1 connector, 4-pin	Connector, M12x1 connector, 4-pin	Connector, M12x1 connector, 4-pin	Connector, M12x1 connector, 4-pin	Connector, M12x1 connector, 4-pin
G 1/2" (DIN 3852)	G 1/2" (DIN 3852)	G 1/2" (DIN 3852)	G 1/2" (DIN 3852)	G 1/2" (DIN 3852)
Stainless steel (1.4301)	Stainless steel (1.4301)	Stainless steel (1.4301)	Stainless steel (1.4301)	Stainless steel (1.4301)
Fluoroelastomer	Fluoroelastomer	Fluoroelastomer	Fluoroelastomer	Fluoroelastomer
Stainless steel (1.4301)	Stainless steel (1.4301)	Stainless steel (1.4301)	Stainless steel (1.4301)	Stainless steel (1.4301)
-40...125 °C	-40...125 °C	-40...125 °C	-40...125 °C	-40...125 °C
-25...85 °C	-25...85 °C	-25...85 °C	-25...85 °C	-25...85 °C
IP67	IP67	IP67	IP67	IP67
CE, cULus	CE, cULus	CE, cULus	CE, cULus	CE, cULus
Page 338	Page 338	Page 338	Page 338	Page 338



	BSP00T2 BSP B250-HV004-D06S1A-S4	BSP00T3 BSP B400-HV004-D06S1A-S4	BSP00T4 BSP B600-HV004-D06S1A-S4	
Measuring range	0...250 bar	0...400 bar	0...600 bar	
Accuracy	±0.5 % FSO BFSL	±0.5 % FSO BFSL	±0.5 % FSO BFSL	
Overload pressure	400 bar	1200 bar	1200 bar	
Burst pressure	750.00 bar	1500.00 bar	1800.00 bar	
Operating voltage U_b	18...30 VDC	18...30 VDC	18...30 VDC	
Interface	IO-Link 1.1	IO-Link 1.1	IO-Link 1.1	
Analog output	—	—	—	
Switching output	PNP normally open/normally closed (NO/NC)	PNP normally open/normally closed (NO/NC)	PNP normally open/normally closed (NO/NC)	
Connection	Connector, M12x1 connector, 4-pin	Connector, M12x1 connector, 4-pin	Connector, M12x1 connector, 4-pin	
Process connection	G 1/2" (DIN 3852)	G 1/2" (DIN 3852)	G 1/2" (DIN 3852)	
Process connection material	Stainless steel (1.4301)	Stainless steel (1.4571)	Stainless steel (1.4571)	
Gasket, material	Fluoroelastomer	without, welded	without, welded	
Housing material	Stainless steel (1.4301)	Stainless steel (1.4301)	Stainless steel (1.4301)	
Media temperature	-40...125 °C	-40...125 °C	-40...125 °C	
Ambient temperature	-25...85 °C	-25...85 °C	-25...85 °C	
Protection degree	IP67	IP67	IP67	
Approval/Conformity	CE, cULus	CE, cULus	CE	
Productview	Page 338	Page 338	Page 338	



	BSP00PL BSP B002-DV004-D06S1A-S4	BSP00PJ BSP V002-DV004-D06S1A-S4	BSP00PM BSP B005-DV004-D06S1A-S4	BSP00PN BSP B010-DV004-D06S1A-S4	BSP00PK BSP V010-DV004-D06S1A-S4
	0...2 bar	-1...2 bar	0...5 bar	0...10 bar	-1...10 bar
	±0.5 % FSO BFSL	±0.5 % FSO BFSL	±0.5 % FSO BFSL	±0.5 % FSO BFSL	±0.5 % FSO BFSL
	5 bar	5 bar	12 bar	20 bar	20 bar
	10.00 bar	10.00 bar	15.00 bar	35.00 bar	35.00 bar
	18...30 VDC	18...30 VDC	18...30 VDC	18...30 VDC	18...30 VDC
	IO-Link 1.1	IO-Link 1.1	IO-Link 1.1	IO-Link 1.1	IO-Link 1.1
	—	—	—	—	—
	PNP normally open/normally closed (NO/NC)	PNP normally open/normally closed (NO/NC)	PNP normally open/normally closed (NO/NC)	PNP normally open/normally closed (NO/NC)	PNP normally open/normally closed (NO/NC)
	Connector, M12x1 connector, 4-pin	Connector, M12x1 connector, 4-pin	Connector, M12x1 connector, 4-pin	Connector, M12x1 connector, 4-pin	Connector, M12x1 connector, 4-pin
	G 1/4" (DIN 3852)	G 1/4" (DIN 3852)	G 1/4" (DIN 3852)	G 1/4" (DIN 3852)	G 1/4" (DIN 3852)
	Stainless steel (1.4301)	Stainless steel (1.4301)	Stainless steel (1.4301)	Stainless steel (1.4301)	Stainless steel (1.4301)
	Fluoroelastomer	Fluoroelastomer	Fluoroelastomer	Fluoroelastomer	Fluoroelastomer
	Stainless steel (1.4301)	Stainless steel (1.4301)	Stainless steel (1.4301)	Stainless steel (1.4301)	Stainless steel (1.4301)
	-40...125 °C	-40...125 °C	-40...125 °C	-40...125 °C	-40...125 °C
	-25...85 °C	-25...85 °C	-25...85 °C	-25...85 °C	-25...85 °C
	IP67	IP67	IP67	IP67	IP67
	CE, cULus	CE, cULus	CE, cULus	CE, cULus	CE, cULus
	Page 338	Page 338	Page 338	Page 338	Page 338



	BSP00PP BSP B020-DV004-D06S1A-S4	BSP00PR BSP B050-DV004-D06S1A-S4	BSP00PT BSP B100-DV004-D06S1A-S4	
Measuring range	0...20 bar	0...50 bar	0...100 bar	
Accuracy	±0.5 % FSO BFSL	±0.5 % FSO BFSL	±0.5 % FSO BFSL	
Overload pressure	50 bar	120 bar	200 bar	
Burst pressure	70.00 bar	150.00 bar	300.00 bar	
Operating voltage U _b	18...30 VDC	18...30 VDC	18...30 VDC	
Interface	IO-Link 1.1	IO-Link 1.1	IO-Link 1.1	
Analog output	—	—	—	
Switching output	PNP normally open/normally closed (NO/NC)	PNP normally open/normally closed (NO/NC)	PNP normally open/normally closed (NO/NC)	
Connection	Connector, M12x1 connector, 4-pin	Connector, M12x1 connector, 4-pin	Connector, M12x1 connector, 4-pin	
Process connection	G 1/4" (DIN 3852)	G 1/4" (DIN 3852)	G 1/4" (DIN 3852)	
Process connection material	Stainless steel (1.4301)	Stainless steel (1.4301)	Stainless steel (1.4301)	
Gasket, material	Fluoroelastomer	Fluoroelastomer	Fluoroelastomer	
Housing material	Stainless steel (1.4301)	Stainless steel (1.4301)	Stainless steel (1.4301)	
Media temperature	-40...125 °C	-40...125 °C	-40...125 °C	
Ambient temperature	-25...85 °C	-25...85 °C	-25...85 °C	
Protection degree	IP67	IP67	IP67	
Approval/Conformity	CE, cULus	CE, cULus	CE, cULus	
Productview	Page 338	Page 338	Page 338	



BSP00PU BSP B250-DV004-D06S1A-S4	BSP00PW BSP B400-DV004-D06S1A-S4	BSP00PY BSP B600-DV004-D06S1A-S4	BSP00T7 BSP B002-FV004-D06S1A-S4	BSP00T5 BSP V002-FV004-D06S1A-S4
0...250 bar	0...400 bar	0...600 bar	0...2 bar	-1...2 bar
±0.5 % FSO BFSL	±0.5 % FSO BFSL	±0.5 % FSO BFSL	±0.5 % FSO BFSL	±0.5 % FSO BFSL
400 bar	1200 bar	1200 bar	5 bar	5 bar
750.00 bar	1500.00 bar	1800.00 bar	10.00 bar	10.00 bar
18...30 VDC	18...30 VDC	18...30 VDC	18...30 VDC	18...30 VDC
IO-Link 1.1	IO-Link 1.1	IO-Link 1.1	IO-Link 1.1	IO-Link 1.1
—	—	—	—	—
PNP normally open/normally closed (NO/NC)	PNP normally open/normally closed (NO/NC)	PNP normally open/normally closed (NO/NC)	PNP normally open/normally closed (NO/NC)	PNP normally open/normally closed (NO/NC)
Connector, M12x1 connector, 4-pin	Connector, M12x1 connector, 4-pin	Connector, M12x1 connector, 4-pin	Connector, M12x1 connector, 4-pin	Connector, M12x1 connector, 4-pin
G 1/4" (DIN 3852)	G 1/4" (DIN 3852)	G 1/4" (DIN 3852)	NPT 1/4"	NPT 1/4"
Stainless steel (1.4301)	Stainless steel (1.4571)	Stainless steel (1.4571)	Stainless steel (1.4301)	Stainless steel (1.4301)
Fluoroelastomer	without, welded	without, welded	Fluoroelastomer	Fluoroelastomer
Stainless steel (1.4301)	Stainless steel (1.4301)	Stainless steel (1.4301)	Stainless steel (1.4301)	Stainless steel (1.4301)
-40...125 °C	-40...125 °C	-40...125 °C	-40...125 °C	-40...125 °C
-25...85 °C	-25...85 °C	-25...85 °C	-25...85 °C	-25...85 °C
IP67	IP67	IP67	IP67	IP67
CE, cULus	CE, cULus	CE	CE, cULus	CE, cULus
Page 338	Page 339	Page 339	Page 339	Page 339



	BSP00T8 BSP B005-FV004-D06S1A-S4	BSP00T9 BSP B010-FV004-D06S1A-S4	BSP00T6 BSP V010-FV004-D06S1A-S4	
Measuring range	0...5 bar	0...10 bar	-1...10 bar	
Accuracy	±0.5 % FSO BFSL	±0.5 % FSO BFSL	±0.5 % FSO BFSL	
Overload pressure	12 bar	20 bar	20 bar	
Burst pressure	15.00 bar	35.00 bar	35.00 bar	
Operating voltage U _b	18...30 VDC	18...30 VDC	18...30 VDC	
Interface	IO-Link 1.1	IO-Link 1.1	IO-Link 1.1	
Analog output	—	—	—	
Switching output	PNP normally open/normally closed (NO/NC)	PNP normally open/normally closed (NO/NC)	PNP normally open/normally closed (NO/NC)	
Connection	Connector, M12x1 connector, 4-pin	Connector, M12x1 connector, 4-pin	Connector, M12x1 connector, 4-pin	
Process connection	NPT 1/4"	NPT 1/4"	NPT 1/4"	
Process connection material	Stainless steel (1.4301)	Stainless steel (1.4301)	Stainless steel (1.4301)	
Gasket, material	Fluoroelastomer	Fluoroelastomer	Fluoroelastomer	
Housing material	Stainless steel (1.4301)	Stainless steel (1.4301)	Stainless steel (1.4301)	
Media temperature	-40...125 °C	-40...125 °C	-40...125 °C	
Ambient temperature	-25...85 °C	-25...85 °C	-25...85 °C	
Protection degree	IP67	IP67	IP67	
Approval/Conformity	CE, cULus	CE, cULus	CE, cULus	
Productview	Page 339	Page 339	Page 339	



	BSP00TA BSP B020-FV004-D06S1A-S4	BSP00TC BSP B050-FV004-D06S1A-S4	BSP00TE BSP B100-FV004-D06S1A-S4	BSP00TF BSP B250-FV004-D06S1A-S4	BSP00TH BSP B400-FV004-D06S1A-S4
	0...20 bar	0...50 bar	0...100 bar	0...250 bar	0...400 bar
	±0.5 % FSO BFSL	±0.5 % FSO BFSL	±0.5 % FSO BFSL	±0.5 % FSO BFSL	±0.5 % FSO BFSL
	50 bar	120 bar	200 bar	400 bar	1200 bar
	70.00 bar	150.00 bar	300.00 bar	750.00 bar	1500.00 bar
	18...30 VDC	18...30 VDC	18...30 VDC	18...30 VDC	18...30 VDC
	IO-Link 1.1	IO-Link 1.1	IO-Link 1.1	IO-Link 1.1	IO-Link 1.1
	—	—	—	—	—
	PNP normally open/normally closed (NO/NC)	PNP normally open/normally closed (NO/NC)	PNP normally open/normally closed (NO/NC)	PNP normally open/normally closed (NO/NC)	PNP normally open/normally closed (NO/NC)
	Connector, M12x1 connector, 4-pin	Connector, M12x1 connector, 4-pin	Connector, M12x1 connector, 4-pin	Connector, M12x1 connector, 4-pin	Connector, M12x1 connector, 4-pin
	NPT 1/4"	NPT 1/4"	NPT 1/4"	NPT 1/4"	NPT 1/4"
	Stainless steel (1.4301)	Stainless steel (1.4301)	Stainless steel (1.4301)	Stainless steel (1.4301)	Stainless steel (1.4571)
	Fluoroelastomer	Fluoroelastomer	Fluoroelastomer	Fluoroelastomer	without, welded
	Stainless steel (1.4301)	Stainless steel (1.4301)	Stainless steel (1.4301)	Stainless steel (1.4301)	Stainless steel (1.4301)
	-40...125 °C	-40...125 °C	-40...125 °C	-40...125 °C	-40...125 °C
	-25...85 °C	-25...85 °C	-25...85 °C	-25...85 °C	-25...85 °C
	IP67	IP67	IP67	IP67	IP67
	CE, cULus	CE, cULus	CE, cULus	CE, cULus	CE, cULus
	Page 339	Page 339	Page 339	Page 339	Page 340



	BSP00TJ BSP B600-FV004-D06S1A-S4	BSP00UF BSP B002-KV004-D06S1A-S4	BSP00UC BSP V002-KV004-D06S1A-S4	
Measuring range	0...600 bar	0...2 bar	-1...2 bar	
Accuracy	±0.5 % FSO BFSL	±0.5 % FSO BFSL	±0.5 % FSO BFSL	
Overload pressure	1200 bar	5 bar	5 bar	
Burst pressure	1800.00 bar	10.00 bar	10.00 bar	
Operating voltage U _b	18...30 VDC	18...30 VDC	18...30 VDC	
Interface	IO-Link 1.1	IO-Link 1.1	IO-Link 1.1	
Analog output	—	—	—	
Switching output	PNP normally open/normally closed (NO/NC)	PNP normally open/normally closed (NO/NC)	PNP normally open/normally closed (NO/NC)	
Connection	Connector, M12x1 connector, 4-pin	Connector, M12x1 connector, 4-pin	Connector, M12x1 connector, 4-pin	
Process connection	NPT 1/4"	R 1/4"	R 1/4"	
Process connection material	Stainless steel (1.4571)	Stainless steel (1.4301)	Stainless steel (1.4301)	
Gasket, material	without, welded	Fluoroelastomer	Fluoroelastomer	
Housing material	Stainless steel (1.4301)	Stainless steel (1.4301)	Stainless steel (1.4301)	
Media temperature	-40...125 °C	-40...125 °C	-40...125 °C	
Ambient temperature	-25...85 °C	-25...85 °C	-25...85 °C	
Protection degree	IP67	IP67	IP67	
Approval/Conformity	CE	CE, cULus	CE, cULus	
Productview	Page 340	Page 340	Page 340	



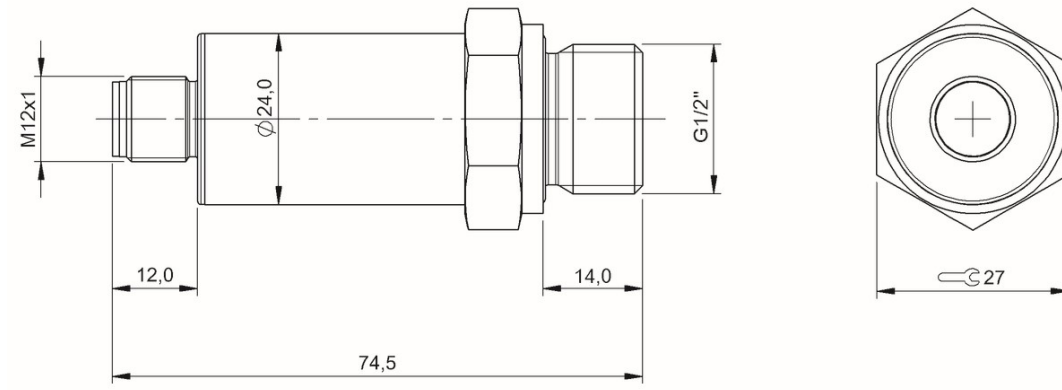
BSP00UH BSP B005-KV004-D06S1A-S4	BSP00UJ BSP B010-KV004-D06S1A-S4	BSP00UE BSP V010-KV004-D06S1A-S4	BSP00UK BSP B020-KV004-D06S1A-S4	BSP00UL BSP B050-KV004-D06S1A-S4
0...5 bar	0...10 bar	-1...10 bar	0...20 bar	0...50 bar
±0.5 % FSO BFSL	±0.5 % FSO BFSL	±0.5 % FSO BFSL	±0.5 % FSO BFSL	±0.5 % FSO BFSL
12 bar	20 bar	20 bar	50 bar	120 bar
15.00 bar	35.00 bar	35.00 bar	70.00 bar	150.00 bar
18...30 VDC	18...30 VDC	18...30 VDC	18...30 VDC	18...30 VDC
IO-Link 1.1	IO-Link 1.1	IO-Link 1.1	IO-Link 1.1	IO-Link 1.1
—	—	—	—	—
PNP normally open/normally closed (NO/NC)	PNP normally open/normally closed (NO/NC)	PNP normally open/normally closed (NO/NC)	PNP normally open/normally closed (NO/NC)	PNP normally open/normally closed (NO/NC)
Connector, M12x1 connector, 4-pin	Connector, M12x1 connector, 4-pin	Connector, M12x1 connector, 4-pin	Connector, M12x1 connector, 4-pin	Connector, M12x1 connector, 4-pin
R 1/4"	R 1/4"	R 1/4"	R 1/4"	R 1/4"
Stainless steel (1.4301)	Stainless steel (1.4301)	Stainless steel (1.4301)	Stainless steel (1.4301)	Stainless steel (1.4301)
Fluoroelastomer	Fluoroelastomer	Fluoroelastomer	Fluoroelastomer	Fluoroelastomer
Stainless steel (1.4301)	Stainless steel (1.4301)	Stainless steel (1.4301)	Stainless steel (1.4301)	Stainless steel (1.4301)
-40...125 °C	-40...125 °C	-40...125 °C	-40...125 °C	-40...125 °C
-25...85 °C	-25...85 °C	-25...85 °C	-25...85 °C	-25...85 °C
IP67	IP67	IP67	IP67	IP67
CE, cULus	CE, cULus	CE, cULus	CE, cULus	CE, cULus
Page 340	Page 340	Page 340	Page 340	Page 340



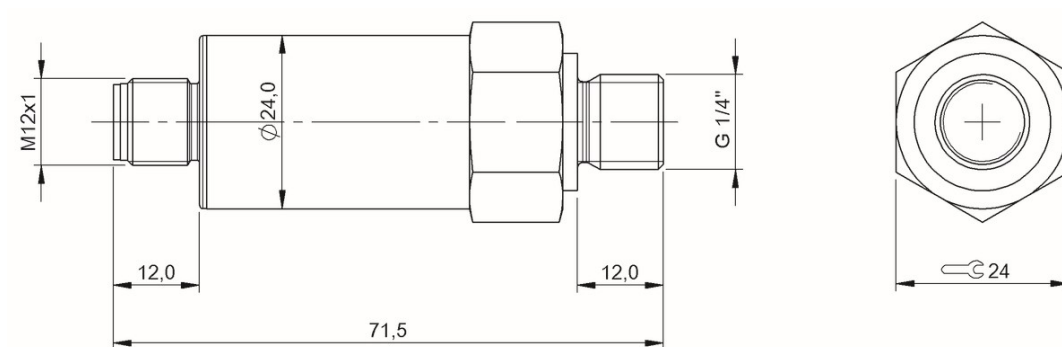
	BSP00UM BSP B100-KV004-D06S1A-S4	BSP00UN BSP B250-KV004-D06S1A-S4	BSP00UP BSP B400-KV004-D06S1A-S4	
Measuring range	0...100 bar	0...250 bar	0...400 bar	
Accuracy	±0.5 % FSO BFSL	±0.5 % FSO BFSL	±0.5 % FSO BFSL	
Overload pressure	200 bar	400 bar	1200 bar	
Burst pressure	300.00 bar	750.00 bar	1500.00 bar	
Operating voltage U _b	18...30 VDC	18...30 VDC	18...30 VDC	
Interface	IO-Link 1.1	IO-Link 1.1	IO-Link 1.1	
Analog output	—	—	—	
Switching output	PNP normally open/normally closed (NO/NC)	PNP normally open/normally closed (NO/NC)	PNP normally open/normally closed (NO/NC)	
Connection	Connector, M12x1 connector, 4-pin	Connector, M12x1 connector, 4-pin	Connector, M12x1 connector, 4-pin	
Process connection	R 1/4"	R 1/4"	R 1/4"	
Process connection material	Stainless steel (1.4301)	Stainless steel (1.4301)	Stainless steel (1.4571)	
Gasket, material	Fluoroelastomer	Fluoroelastomer	without, welded	
Housing material	Stainless steel (1.4301)	Stainless steel (1.4301)	Stainless steel (1.4301)	
Media temperature	-40...125 °C	-40...125 °C	-40...125 °C	
Ambient temperature	-25...85 °C	-25...85 °C	-25...85 °C	
Protection degree	IP67	IP67	IP67	
Approval/Conformity	CE, cULus	CE, cULus	CE, cULus	
Productview	Page 340	Page 340	Page 341	



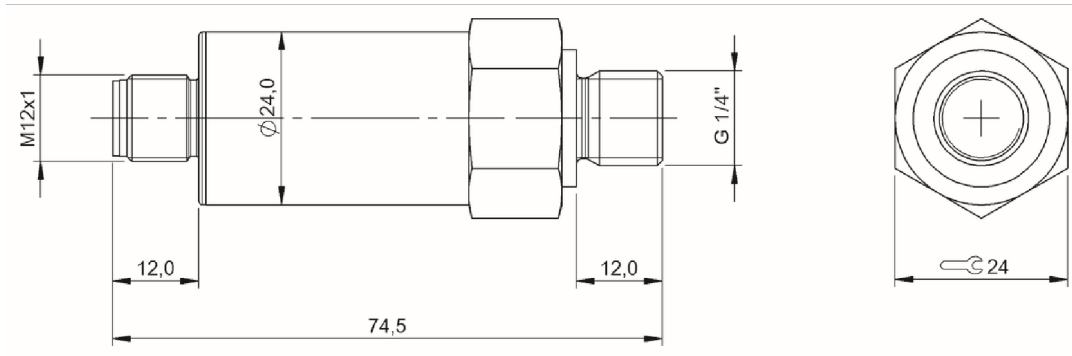
BSP00UR BSP B600-KV004-D06S1A-S4				
0...600 bar				
±0.5 % FSO BFSL				
1200 bar				
1800.00 bar				
18...30 VDC				
IO-Link 1.1				
—				
PNP normally open/normally closed (NO/NC)				
Connector, M12x1 connector, 4-pin				
R 1/4"				
Stainless steel (1.4571)				
without, welded				
Stainless steel (1.4301)				
-40...125 °C				
-25...85 °C				
IP67				
CE				
Page 341				



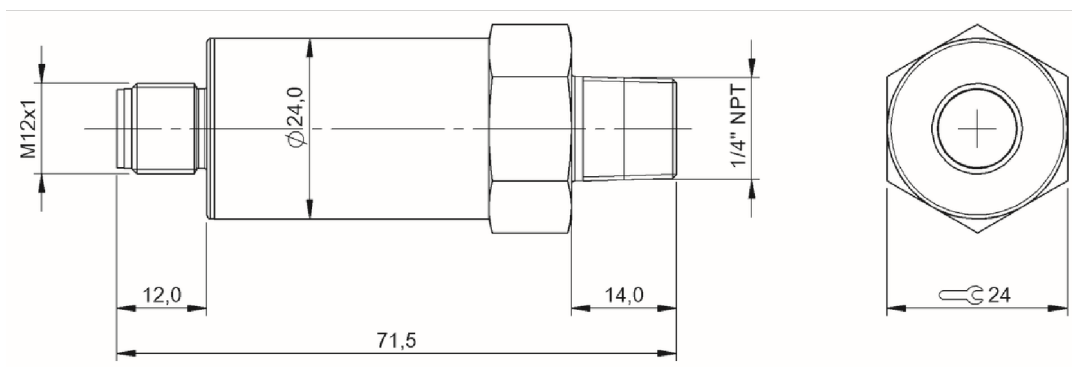
BSP00KP, BSP00KM, BSP00KR, BSP00KT, BSP00KN, BSP00KU, BSP00KW, BSP00KY, BSP00KZ, BSP00LO, BSP00L1, BSP00J4, BSP00J2, BSP00J5, BSP00J6, BSP00J3, BSP00J7, BSP00J8, BSP00FT, BSP00FU, BSP00J9, BSP00JA, BSP00JC, BSP00RU, BSP00RR, BSP00RW, BSP00RY, BSP00RT, BSP00RZ, BSP00T0, BSP00T1, BSP00T2, BSP00T3, BSP00T4



BSP00JH, BSP00JE, BSP00JJ, BSP00L8, BSP00JK, BSP00JF, BSP00JL, BSP00JM, BSP00JN, BSP00JP, BSP00FZ, BSP00FW, BSP00H0, BSP00H1, BSP00FY, BSP00H2, BSP00H3, BSP00H4, BSP00H5, BSP00PL, BSP00PJ, BSP00PM, BSP00PN, BSP00PK, BSP00PP, BSP00PR, BSP00PT, BSP00PU

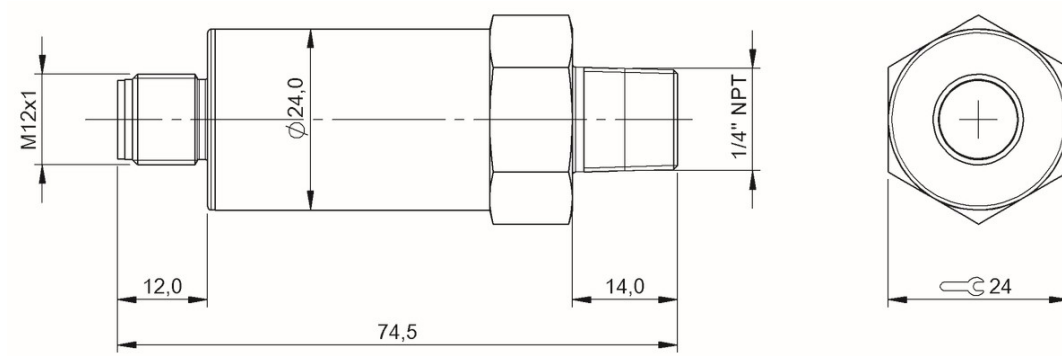


BSP00JR, BSP00JT, BSP00F3, BSP00H6, BSP00PW, BSP00PY

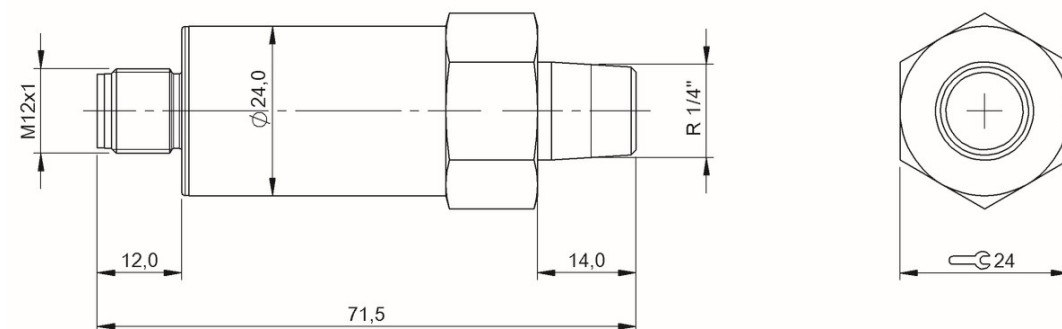


BSP00JY, BSP00JZ, BSP00K0, BSP00K1, BSP00K2, BSP00K3, BSP00K4, BSP00H9, BSP00HA, BSP00HC, BSP00HE, BSP00HF, BSP00HH, BSP00HJ, BSP00T7, BSP00T5, BSP00T8, BSP00T9, BSP00T6, BSP00TA, BSP00TC, BSP00TE, BSP00TF

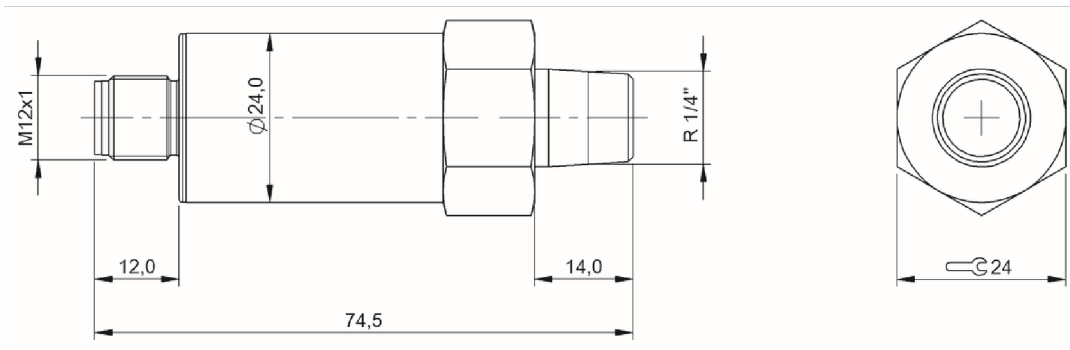
Do you need more details? Our Product Finder at www.balluff.com provides you with product-specific information, including technical drawings, data sheets, user guides and more for each individual product. All items are available for download.



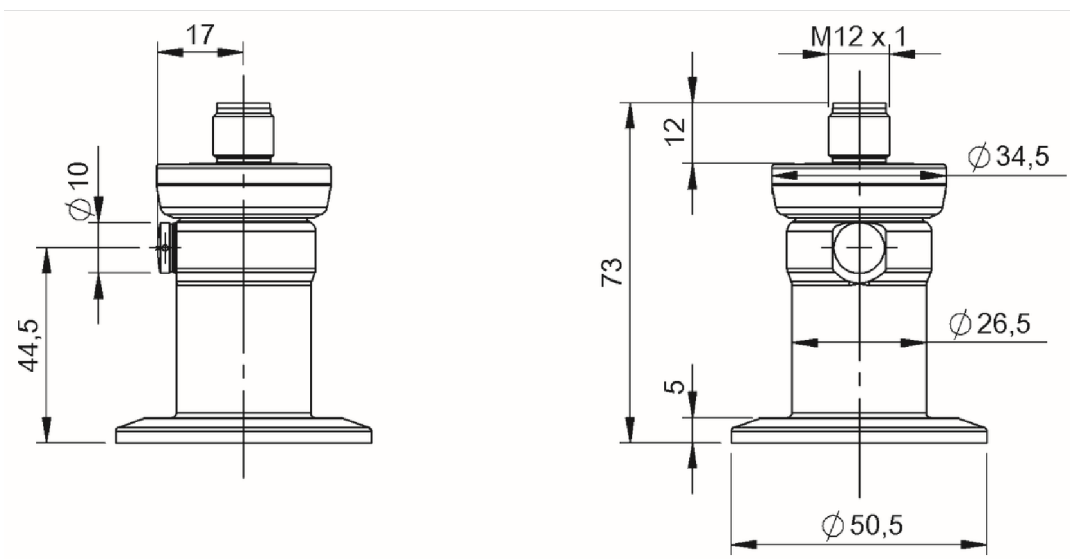
BSP00JU, BSP00JW, BSP00K5, BSP00K6, BSP00H7, BSP00H8, BSP00HK, BSP00HL, BSP00TH, BSP00TJ



BSP00K9, BSP00K7, BSP00KA, BSP00KC, BSP00K8, BSP00KE, BSP00KF, BSP00KH, BSP00KJ, BSP00HP, BSP00HM, BSP00HR, BSP00HT, BSP00HN, BSP00HU, BSP00HW, BSP00HY, BSP00HZ, BSP00UF, BSP00UC, BSP00UH, BSP00UJ, BSP00UE, BSP00UK, BSP00UL, BSP00UM, BSP00UN



BSP00KK, BSP00KL, BSP00J0, BSP00J1, BSP00UP, BSP00UR



BSP00W2, BSP00W3, BSP00W4, BSP00W5, BSP00W6, BSP00W7



	BSP00YZ BSP B010-HV009-P00S2B-S4-001	BSP00Z0 BSP V050-HV009-P00S2B-S4-001	
Measuring range	0...10 bar	-1...50 bar	
Accuracy	±0.5 % FSO BFSL	±0.5 % FSO BFSL	
Overload pressure	20 bar	100 bar	
Burst pressure	35 bar	150 bar	
Operating voltage U _b	18...30 VDC	18...30 VDC	
Interface	IO-Link 1.1	IO-Link 1.1	
Analog output	Analog, voltage/Analog, current selectable 4...20 mA/0...10 V	Analog, voltage/Analog, current selectable 4...20 mA/0...10 V	
Switching output	2x PNP/NPN NO/NC Switchable	2x PNP/NPN NO/NC Switchable	
Connection	Connector, M12x1 connector, 4-pin	Connector, M12x1 connector, 4-pin	
Process connection	G 1/2" (DIN 3852)	G 1/2" (DIN 3852)	
Process connection material	PVDF	PVDF	
Gasket, material	Fluoroelastomer	Fluoroelastomer	
Housing material	Stainless steel (1.4301) PE, High-density polyethylene	Stainless steel (1.4301) PE, High-density polyethylene	
Media temperature	-30...125 °C	-30...125 °C	
Ambient temperature	-40...85 °C	-40...85 °C	
Protection degree	IP67	IP67	
Approval/Conformity	CE, cULus	CE, cULus	
Productview	Page 348	Page 348	



	BSP00YN BSP M050-EV009-P00S2B-S4	BSP00Y2 BSP B002-EV009-P00S2B-S4	BSP00YR BSP V002-EV009-P00S2B-S4	BSP00Y3 BSP B005-EV009-P00S2B-S4
	0...0.05 bar	0...2 bar	-1...2 bar	0...5 bar
	±0.5 % FSO BFSL	±0.5 % FSO BFSL	±0.5 % FSO BFSL	±0.5 % FSO BFSL
	0.5 bar	4 bar	4 bar	10 bar
	0.75 bar	10 bar	10 bar	15 bar
	18...30 VDC	18...30 VDC	18...30 VDC	18...30 VDC
	IO-Link 1.1	IO-Link 1.1	IO-Link 1.1	IO-Link 1.1
	Analog, voltage/Analog, current selectable 4...20 mA/0...10 V	Analog, voltage/Analog, current selectable 4...20 mA/0...10 V	Analog, voltage/Analog, current selectable 4...20 mA/0...10 V	Analog, voltage/Analog, current selectable 4...20 mA/0...10 V
	2x PNP/NPN NO/NC Switchable	2x PNP/NPN NO/NC Switchable	2x PNP/NPN NO/NC Switchable	2x PNP/NPN NO/NC Switchable
	Connector, M12x1 connector, 4-pin	Connector, M12x1 connector, 4-pin	Connector, M12x1 connector, 4-pin	Connector, M12x1 connector, 4-pin
	G 1/4" (DIN 3852)	G 1/4" (DIN 3852)	G 1/4" (DIN 3852)	G 1/4" (DIN 3852)
	Stainless steel (1.4301)	Stainless steel (1.4301)	Stainless steel (1.4301)	Stainless steel (1.4301)
	Fluoroelastomer	Fluoroelastomer	Fluoroelastomer	Fluoroelastomer
	Stainless steel (1.4301) PE, High-density polyethylene	Stainless steel (1.4301) PE, High-density polyethylene	Stainless steel (1.4301) PE, High-density polyethylene	Stainless steel (1.4301) PE, High-density polyethylene
	-40...125 °C	-40...125 °C	-40...125 °C	-40...125 °C
	-40...85 °C	-40...85 °C	-40...85 °C	-40...85 °C
	IP67	IP67	IP67	IP67
	CE, cULus	CE, cULus	CE, cULus	CE, cULus
	Page 348	Page 348	Page 348	Page 348



	BSP00YY BSP V050-EV009-P00S2B-S4	BSP00YT BSP V010-EV009-P00S2B-S4	
Measuring range	-1...5 bar	-1...10 bar	
Accuracy	±0.5 % FSO BFSL	±0.5 % FSO BFSL	
Overload pressure	100 bar	20 bar	
Burst pressure	150 bar	35 bar	
Operating voltage U_b	18...30 VDC	18...30 VDC	
Interface	IO-Link 1.1	IO-Link 1.1	
Analog output	Analog, voltage/Analog, current selectable 4...20 mA/0...10 V	Analog, voltage/Analog, current selectable 4...20 mA/0...10 V	
Switching output	2x PNP/NPN NO/NC Switchable	2x PNP/NPN NO/NC Switchable	
Connection	Connector, M12x1 connector, 4-pin	Connector, M12x1 connector, 4-pin	
Process connection	G 1/4" (DIN 3852)	G 1/4" (DIN 3852)	
Process connection material	Stainless steel (1.4301)	Stainless steel (1.4301)	
Gasket, material	Fluoroelastomer	Fluoroelastomer	
Housing material	Stainless steel (1.4301) PE, High-density polyethylene	Stainless steel (1.4301) PE, High-density polyethylene	
Media temperature	-40...125 °C	-40...125 °C	
Ambient temperature	-40...85 °C	-40...85 °C	
Protection degree	IP67	IP67	
Approval/Conformity	CE, cULus	CE, cULus	
Productview	Page 348	Page 348	



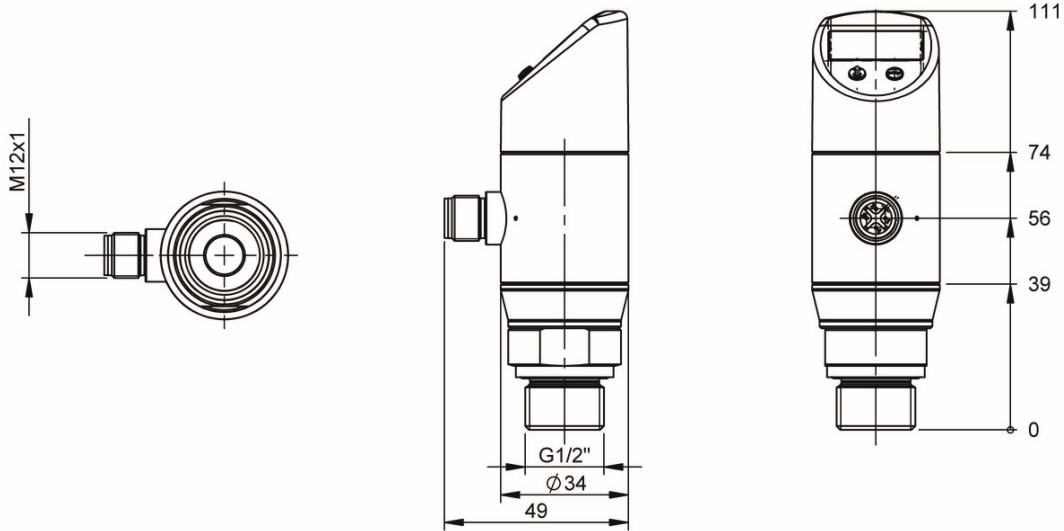
BSP00Y4 BSP B010-EV009-P00S2B-S4	BSP00Y7 BSP B050-EV009-P00S2B-S4	BSP00Y8 BSP B100-EV009-P00S2B-S4	BSP00Y6 BSP B020-EV009-P00S2B-S4
0...10 bar	0...50 bar	0...100 bar	0...250 bar
±0.5 % FSO BFSL	±0.5 % FSO BFSL	±0.5 % FSO BFSL	±0.5 % FSO BFSL
20 bar	100 bar	200 bar	40 bar
35 bar	150 bar	300 bar	70 bar
18...30 VDC	18...30 VDC	18...30 VDC	18...30 VDC
IO-Link 1.1	IO-Link 1.1	IO-Link 1.1	IO-Link 1.1
Analog, voltage/Analog, current selectable 4...20 mA/0...10 V	Analog, voltage/Analog, current selectable 4...20 mA/0...10 V	Analog, voltage/Analog, current selectable 4...20 mA/0...10 V	Analog, voltage/Analog, current selectable 4...20 mA/0...10 V
2x PNP/NPN NO/NC Switchable	2x PNP/NPN NO/NC Switchable	2x PNP/NPN NO/NC Switchable	2x PNP/NPN NO/NC Switchable
Connector, M12x1 connector, 4-pin	Connector, M12x1 connector, 4-pin	Connector, M12x1 connector, 4-pin	Connector, M12x1 connector, 4-pin
G 1/4" (DIN 3852)	G 1/4" (DIN 3852)	G 1/4" (DIN 3852)	G 1/4" (DIN 3852)
Stainless steel (1.4301)	Stainless steel (1.4301)	Stainless steel (1.4301)	Stainless steel (1.4301)
Fluoroelastomer	Fluoroelastomer	Fluoroelastomer	Fluoroelastomer
Stainless steel (1.4301) PE, High-density polyethylene	Stainless steel (1.4301) PE, High-density polyethylene	Stainless steel (1.4301) PE, High-density polyethylene	Stainless steel (1.4301) PE, High-density polyethylene
-40...125 °C	-40...125 °C	-40...125 °C	-40...125 °C
-40...85 °C	-40...85 °C	-40...85 °C	-40...85 °C
IP67	IP67	IP67	IP67
CE, cULus	CE, cULus	CE, cULus	CE, cULus
Page 348	Page 348	Page 348	Page 348



	BSP00YC BSP B250-EV009-P00S2B-S4	BSP00YH BSP B400-EV009-P00S2B-S4	
Measuring range	0...250 bar	0...400 bar	
Accuracy	±0.5 % FSO BFSL	±0.5 % FSO BFSL	
Overload pressure	400 bar	650 bar	
Burst pressure	750 bar	1000 bar	
Operating voltage U_b	18...30 VDC	18...30 VDC	
Interface	IO-Link 1.1	IO-Link 1.1	
Analog output	Analog, voltage/Analog, current selectable 4...20 mA/0...10 V	Analog, voltage/Analog, current selectable 4...20 mA/0...10 V	
Switching output	2x PNP/NPN NO/NC Switchable	2x PNP/NPN NO/NC Switchable	
Connection	Connector, M12x1 connector, 4-pin	Connector, M12x1 connector, 4-pin	
Process connection	G 1/4" (DIN 3852)	G 1/4" (DIN 3852)	
Process connection material	Stainless steel (1.4301)	Stainless steel (1.4301)	
Gasket, material	Fluoroelastomer	Fluoroelastomer	
Housing material	Stainless steel (1.4301) PE, High-density polyethylene	Stainless steel (1.4301) PE, High-density polyethylene	
Media temperature	-40...125 °C	-40...125 °C	
Ambient temperature	-40...85 °C	-40...85 °C	
Protection degree	IP67	IP67	
Approval/Conformity	CE, cULus	CE, cULus	
Productview	Page 348	Page 348	

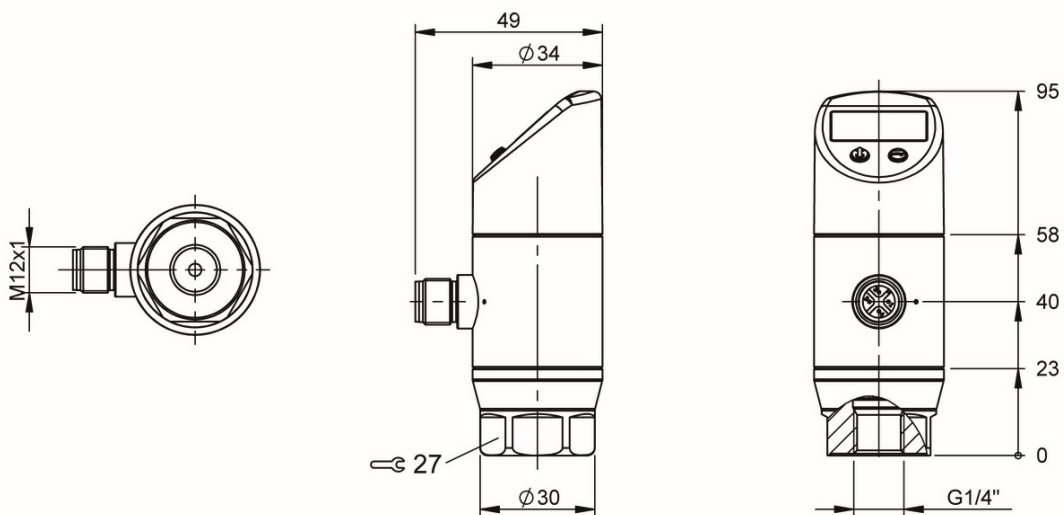


BSP00YK BSP B600-EV009-P00S2B-S4	BSP00Z3 BSP V010-GV009-P00S2B-S4	BSP00Z1 BSP B100-GV009-P00S2B-S4	BSP00Z2 BSP B250-GV009-P00S2B-S4
0...600 bar	-1...10 bar	0...100 bar	0...250 bar
±0.5 % FSO BFSL	±0.5 % FSO BFSL	±0.5 % FSO BFSL	±0.5 % FSO BFSL
1000 bar	20 bar	200 bar	400 bar
1800 bar	35 bar	300 bar	750 bar
18...30 VDC	18...30 VDC	18...30 VDC	18...30 VDC
IO-Link 1.1	IO-Link 1.1	IO-Link 1.1	IO-Link 1.1
Analog, voltage/Analog, current selectable 4...20 mA/0...10 V	Analog, voltage/Analog, current selectable 4...20 mA/0...10 V	Analog, voltage/Analog, current selectable 4...20 mA/0...10 V	Analog, voltage/Analog, current selectable 4...20 mA/0...10 V
2x PNP/NPN NO/NC Switchable	2x PNP/NPN NO/NC Switchable	2x PNP/NPN NO/NC Switchable	2x PNP/NPN NO/NC Switchable
Connector, M12x1 connector, 4-pin	Connector, M12x1 connector, 4-pin	Connector, M12x1 connector, 4-pin	Connector, M12x1 connector, 4-pin
G 1/4" (DIN 3852)	NPT 1/4"	NPT 1/4"	NPT 1/4"
Stainless steel (1.4301)	Stainless steel (1.4301)	Stainless steel (1.4301)	Stainless steel (1.4301)
without, welded	Fluoroelastomer	Fluoroelastomer	Fluoroelastomer
Stainless steel (1.4301) PE, High-density polyethylene	Stainless steel (1.4301) PE, High-density polyethylene	Stainless steel (1.4301) PE, High-density polyethylene	Stainless steel (1.4301) PE, High-density polyethylene
-40...125 °C	-40...125 °C	-40...125 °C	-40...125 °C
-40...85 °C	-40...85 °C	-40...85 °C	-40...85 °C
IP67	IP67	IP67	IP67
CE, cULus	CE, cULus	CE, cULus	CE, cULus
Page 348	Page 349	Page 349	Page 349



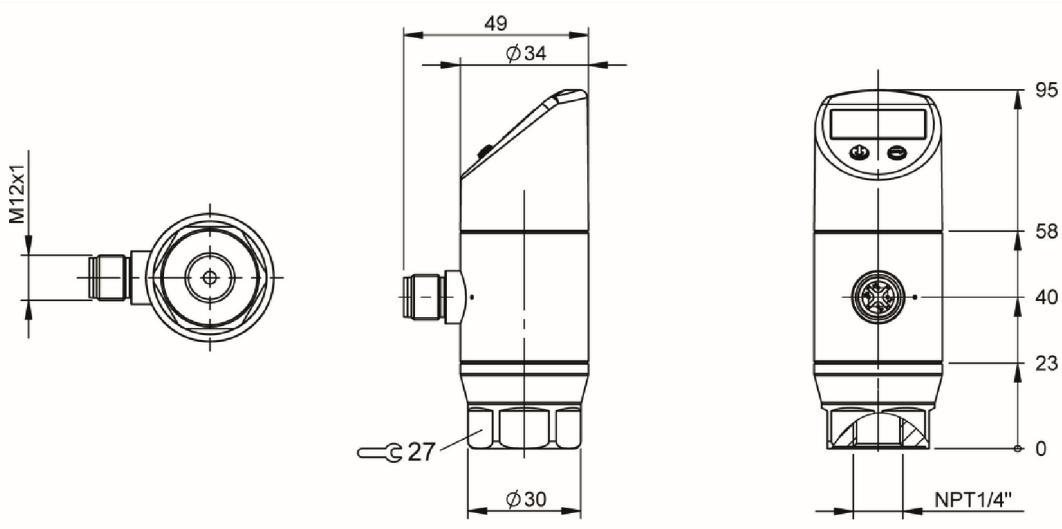
1) Display and control panel, 2) Process connection, 3) Housing rotatable 320°

BSP00YZ, BSP00ZO



1) Display and control panel, 2) Process connection, 3) Housing rotatable 320°

BSP00YN, BSP00Y2, BSP00YR, BSP00Y3, BSP00YY, BSP00YT, BSP00Y4, BSP00Y7, BSP00Y8, BSP00Y6, BSP00YC, BSP00YH, BSP00YK



1) Display and control panel, 2) Process connection, 3) Housing rotatable 320°

BSP00Z3, BSP00Z1, BSP00Z2



	BSP00ZU BSP B002-IV010-P00S2B-S4	BSP00ZW BSP B005-IV010-P00S2B-S4	
Measuring range	0...2 bar	0...5 bar	
Accuracy	±0.5 % FSO BFSL	±0.5 % FSO BFSL	
Overload pressure	10 bar	40 bar	
Burst pressure	15 bar	50 bar	
Operating voltage U_b	18...30 VDC	18...30 VDC	
Interface	IO-Link 1.1	IO-Link 1.1	
Analog output	Analog, voltage/Analog, current selectable 4...20 mA/0...10 V	Analog, voltage/Analog, current selectable 4...20 mA/0...10 V	
Switching output	2x PNP/NPN NO/NC Switchable	2x PNP/NPN NO/NC Switchable	
Connection	Connector, M12x1 connector, 4-pin	Connector, M12x1 connector, 4-pin	
Process connection	G 1/2" (DIN 3852) front-flush	G 1/2" (DIN 3852) front-flush	
Process connection material	Stainless steel (1.4404)	Stainless steel (1.4404)	
Gasket, material	Fluoroelastomer	Fluoroelastomer	
Housing material	Stainless steel (1.4301) PE, High-density polyethylene	Stainless steel (1.4301) PE, High-density polyethylene	
Media temperature	-40...125 °C	-40...125 °C	
Ambient temperature	-40...85 °C	-40...85 °C	
Protection degree	IP69K	IP69K	
Approval/Conformity	CE, cULus	CE, cULus	
Productview	Page 360	Page 360	



	BSP00ZY BSP B010-IV010-P00S2B-S4	BSP00ZZ BSP B020-IV010-P00S2B-S4	BSP0102 BSP M100-ZT010-P00S2B-S4-006	BSP0103 BSP M500-ZT010-P00S2B-S4-006
	0...10 bar	0...20 bar	0...0.1 bar	0...0.5 bar
	±0.5 % FSO BFSL	±0.5 % FSO BFSL	±0.5 % FSO BFSL	±0.5 % FSO BFSL
	40 bar	80 bar	0.5 bar	5 bar
	50 bar	120 bar	1.5 bar	7.5 bar
	18...30 VDC	18...30 VDC	18...30 VDC	18...30 VDC
	IO-Link 1.1	IO-Link 1.1	IO-Link 1.1	IO-Link 1.1
	Analog, voltage/Analog, current selectable 4...20 mA/0...10 V	Analog, voltage/Analog, current selectable 4...20 mA/0...10 V	Analog, voltage/Analog, current selectable 4...20 mA/0...10 V	Analog, voltage/Analog, current selectable 4...20 mA/0...10 V
	2x PNP/NPN NO/NC Switchable	2x PNP/NPN NO/NC Switchable	2x PNP/NPN NO/NC Switchable	2x PNP/NPN NO/NC Switchable
	Connector, M12x1 connector, 4-pin	Connector, M12x1 connector, 4-pin	Connector, M12x1 connector, 4-pin	Connector, M12x1 connector, 4-pin
	G 1/2" (DIN 3852) front-flush	G 1/2" (DIN 3852) front-flush	1 1/2" Clamp	1 1/2" Clamp
	Stainless steel (1.4404)	Stainless steel (1.4404)	Stainless steel (1.4404)	Stainless steel (1.4404)
	Fluoroelastomer	Fluoroelastomer	—	—
	Stainless steel (1.4301) PE, High-density polyethylene	Stainless steel (1.4301) PE, High-density polyethylene	Stainless steel (1.4301) PE, High-density polyethylene	Stainless steel (1.4301) PE, High-density polyethylene
	-40...125 °C	-40...125 °C	-10...125 °C	-10...125 °C
	-40...85 °C	-40...85 °C	-40...85 °C	-40...85 °C
	IP69K	IP69K	IP69K	IP69K
	CE, cULus	CE, cULus	CE, cULus	CE, cULus
	Page 360	Page 360	Page 360	Page 360



	BSP0100 BSP B001-ZT010-P00S2B-S4-006	BSP0101 BSP B002-ZT010-P00S2B-S4-006	
Measuring range	0...1 bar	0...2 bar	
Accuracy	±0.5 % FSO BFSL	±0.5 % FSO BFSL	
Overload pressure	5 bar	10 bar	
Burst pressure	7.5 bar	15 bar	
Operating voltage U_b	18...30 VDC	18...30 VDC	
Interface	IO-Link 1.1	IO-Link 1.1	
Analog output	Analog, voltage/Analog, current selectable 4...20 mA/0...10 V	Analog, voltage/Analog, current selectable 4...20 mA/0...10 V	
Switching output	2x PNP/NPN NO/NC Switchable	2x PNP/NPN NO/NC Switchable	
Connection	Connector, M12x1 connector, 4-pin	Connector, M12x1 connector, 4-pin	
Process connection	1 1/2" Clamp	1 1/2" Clamp	
Process connection material	Stainless steel (1.4404)	Stainless steel (1.4404)	
Gasket, material	—	—	
Housing material	Stainless steel (1.4301) PE, High-density polyethylene	Stainless steel (1.4301) PE, High-density polyethylene	
Media temperature	-10...125 °C	-10...125 °C	
Ambient temperature	-40...85 °C	-40...85 °C	
Protection degree	IP69K	IP69K	
Approval/Conformity	CE, cULus	CE, cULus	
Productview	Page 360	Page 360	



	BSP00ZH BSP V002-IV009-P00S2B-S4	BSP00Z4 BSP B002-IV009-P00S2B-S4	BSP00ZJ BSP V003-IV009-P00S2B-S4	BSP00Z5 BSP B005-IV009-P00S2B-S4
	-1...2 bar	0...2 bar	-1...3 bar	0...5 bar
	±0.5 % FSO BFSL	±0.5 % FSO BFSL	±0.5 % FSO BFSL	±0.5 % FSO BFSL
	10 bar	10 bar	20 bar	40 bar
	15 bar	15 bar	25 bar	50 bar
	18...30 VDC	18...30 VDC	18...30 VDC	18...30 VDC
	IO-Link 1.1	IO-Link 1.1	IO-Link 1.1	IO-Link 1.1
	Analog, voltage/Analog, current selectable 4...20 mA/0...10 V	Analog, voltage/Analog, current selectable 4...20 mA/0...10 V	Analog, voltage/Analog, current selectable 4...20 mA/0...10 V	Analog, voltage/Analog, current selectable 4...20 mA/0...10 V
	2x PNP/NPN NO/NC Switchable	2x PNP/NPN NO/NC Switchable	2x PNP/NPN NO/NC Switchable	2x PNP/NPN NO/NC Switchable
	Connector, M12x1 connector, 4-pin	Connector, M12x1 connector, 4-pin	Connector, M12x1 connector, 4-pin	Connector, M12x1 connector, 4-pin
	G 1/2" (DIN 3852) front-flush	G 1/2" (DIN 3852) front-flush	G 1/2" (DIN 3852) front-flush	G 1/2" (DIN 3852) front-flush
	Stainless steel (1.4404)	Stainless steel (1.4404)	Stainless steel (1.4404)	Stainless steel (1.4404)
	Fluoroelastomer	Fluoroelastomer	Fluoroelastomer	Fluoroelastomer
	Stainless steel (1.4301) PE, High-density polyethylene	Stainless steel (1.4301) PE, High-density polyethylene	Stainless steel (1.4301) PE, High-density polyethylene	Stainless steel (1.4301) PE, High-density polyethylene
	-40...125 °C	-40...125 °C	-40...125 °C	-40...125 °C
	-40...85 °C	-40...85 °C	-40...85 °C	-40...85 °C
	IP67	IP67	IP67	IP67
	CE, cULus	CE, cULus	CE, cULus	CE, cULus
	Page 361	Page 361	Page 361	Page 361



	BSP00Z6 BSP B010-IV009-P00S2B-S4	BSP00ZK BSP V010-IV009-P00S2B-S4	
Measuring range	0...10 bar	-1...10 bar	
Accuracy	±0.5 % FSO BFSL	±0.5 % FSO BFSL	
Overload pressure	40 bar	40 bar	
Burst pressure	50 bar	50 bar	
Operating voltage U_b	18...30 VDC	18...30 VDC	
Interface	IO-Link 1.1	IO-Link 1.1	
Analog output	Analog, voltage/Analog, current selectable 4...20 mA/0...10 V	Analog, voltage/Analog, current selectable 4...20 mA/0...10 V	
Switching output	2x PNP/NPN NO/NC Switchable	2x PNP/NPN NO/NC Switchable	
Connection	Connector, M12x1 connector, 4-pin	Connector, M12x1 connector, 4-pin	
Process connection	G 1/2" (DIN 3852) front-flush	G 1/2" (DIN 3852) front-flush	
Process connection material	Stainless steel (1.4404)	Stainless steel (1.4404)	
Gasket, material	Fluoroelastomer	Fluoroelastomer	
Housing material	Stainless steel (1.4301) PE, High-density polyethylene	Stainless steel (1.4301) PE, High-density polyethylene	
Media temperature	-40...125 °C	-40...125 °C	
Ambient temperature	-40...85 °C	-40...85 °C	
Protection degree	IP67	IP67	
Approval/Conformity	CE, cULus	CE, cULus	
Productview	Page 361	Page 361	



	BSP0077 BSP B020-IV009-P00S2B-S4	BSP0078 BSP B050-IV009-P00S2B-S4	BSP0079 BSP B100-IV009-P00S2B-S4	BSP00ZA BSP B120-IV009-P00S2B-S4
	0...20 bar	0...50 bar	0...100 bar	0...120 bar
	±0.5 % FSO BFSL	±0.5 % FSO BFSL	±0.5 % FSO BFSL	±0.5 % FSO BFSL
	80 bar	100 bar	200 bar	200 bar
	120 bar	180 bar	300 bar	300 bar
	18...30 VDC	18...30 VDC	18...30 VDC	18...30 VDC
	IO-Link 1.1	IO-Link 1.1	IO-Link 1.1	IO-Link 1.1
	Analog, voltage/Analog, current selectable 4...20 mA/0...10 V	Analog, voltage/Analog, current selectable 4...20 mA/0...10 V	Analog, voltage/Analog, current selectable 4...20 mA/0...10 V	Analog, voltage/Analog, current selectable 4...20 mA/0...10 V
	2x PNP/NPN NO/NC Switchable	2x PNP/NPN NO/NC Switchable	2x PNP/NPN NO/NC Switchable	2x PNP/NPN NO/NC Switchable
	Connector, M12x1 connector, 4-pin	Connector, M12x1 connector, 4-pin	Connector, M12x1 connector, 4-pin	Connector, M12x1 connector, 4-pin
	G 1/2" (DIN 3852) front-flush	G 1/2" (DIN 3852) front-flush	G 1/2" (DIN 3852) front-flush	G 1/2" (DIN 3852) front-flush
	Stainless steel (1.4404)	Stainless steel (1.4404)	Stainless steel (1.4404)	Stainless steel (1.4404)
	Fluoroelastomer	Fluoroelastomer	Fluoroelastomer	Fluoroelastomer
	Stainless steel (1.4301) PE, High-density polyethylene	Stainless steel (1.4301) PE, High-density polyethylene	Stainless steel (1.4301) PE, High-density polyethylene	Stainless steel (1.4301) PE, High-density polyethylene
	-40...125 °C	-40...125 °C	-40...125 °C	-40...125 °C
	-40...85 °C	-40...85 °C	-40...85 °C	-40...85 °C
	IP67	IP67	IP67	IP67
	CE, cULus	CE, cULus	CE, cULus	CE, cULus
	Page 361	Page 361	Page 361	Page 361



	BSP007C BSP B250-IV009-P00S2B-S4	BSP007E BSP B400-IV009-P00S2B-S4	
Measuring range	0...250 bar	0...400 bar	
Accuracy	±0.5 % FSO BFSL	±0.5 % FSO BFSL	
Overload pressure	400 bar	600 bar	
Burst pressure	750 bar	1000 bar	
Operating voltage U_b	18...30 VDC	18...30 VDC	
Interface	IO-Link 1.1	IO-Link 1.1	
Analog output	Analog, voltage/Analog, current selectable 4...20 mA/0...10 V	Analog, voltage/Analog, current selectable 4...20 mA/0...10 V	
Switching output	2x PNP/NPN NO/NC Switchable	2x PNP/NPN NO/NC Switchable	
Connection	Connector, M12x1 connector, 4-pin	Connector, M12x1 connector, 4-pin	
Process connection	G 1/2" (DIN 3852) front-flush	G 1/2" (DIN 3852) front-flush	
Process connection material	Stainless steel (1.4404)	Stainless steel (1.4404)	
Gasket, material	Fluoroelastomer	Fluoroelastomer	
Housing material	Stainless steel (1.4301) PE, High-density polyethylene	Stainless steel (1.4301) PE, High-density polyethylene	
Media temperature	-40...125 °C	-40...125 °C	
Ambient temperature	-40...85 °C	-40...85 °C	
Protection degree	IP67	IP67	
Approval/Conformity	CE, cULus	CE, cULus	
Productview	Page 361	Page 361	



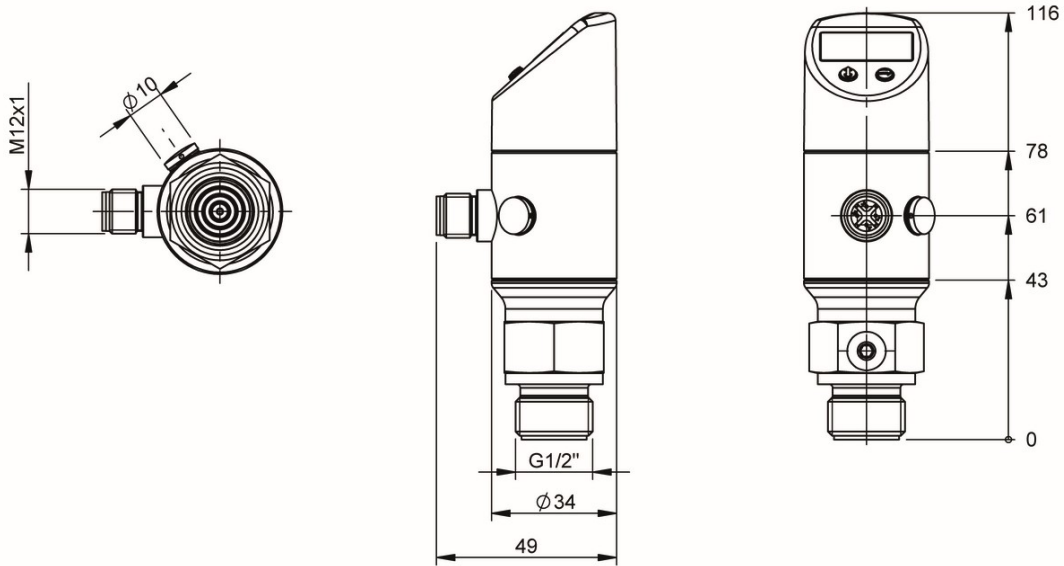
BSP00ZF BSP B600-IV009-P00S2B-S4	BSP00ZN BSP M100-ZT009-P00S2B-S4-006	BSP00ZP BSP M250-ZT009-P00S2B-S4-006	BSP00ZR BSP M500-ZT009-P00S2B-S4-006
0...600 bar	0...0.1 bar	0...0.25 bar	0...0.5 bar
±0.5 % FSO BFSL	±0.5 % FSO BFSL	±0.5 % FSO BFSL	±0.5 % FSO BFSL
800 bar	0.5 bar	1 bar	5 bar
1100 bar	1.5 bar	1.5 bar	7.5 bar
18...30 VDC	18...30 VDC	18...30 VDC	18...30 VDC
IO-Link 1.1	IO-Link 1.1	IO-Link 1.1	IO-Link 1.1
Analog, voltage/Analog, current selectable 4...20 mA/0...10 V	Analog, voltage/Analog, current selectable 4...20 mA/0...10 V	Analog, voltage/Analog, current selectable 4...20 mA/0...10 V	Analog, voltage/Analog, current selectable 4...20 mA/0...10 V
2x PNP/NPN NO/NC Switchable	2x PNP/NPN NO/NC Switchable	2x PNP/NPN NO/NC Switchable	2x PNP/NPN NO/NC Switchable
Connector, M12x1 connector, 4-pin	Connector, M12x1 connector, 4-pin	Connector, M12x1 connector, 4-pin	Connector, M12x1 connector, 4-pin
G 1/2" (DIN 3852) front-flush	1 1/2" Clamp	1 1/2" Clamp	1 1/2" Clamp
Stainless steel (1.4404)	Stainless steel (1.4404)	Stainless steel (1.4404)	Stainless steel (1.4404)
Fluoroelastomer	—	—	—
Stainless steel (1.4301) PE, High-density polyethylene	Stainless steel (1.4301) PE, High-density polyethylene	Stainless steel (1.4301) PE, High-density polyethylene	Stainless steel (1.4301) PE, High-density polyethylene
-40...125 °C	-10...125 °C	-10...125 °C	-10...125 °C
-40...85 °C	-40...85 °C	-40...85 °C	-40...85 °C
IP67	IP67	IP67	IP67
CE, cULus	CE, cULus	CE, cULus	CE, cULus
Page 361	Page 361	Page 361	Page 361



	BSP00ZT BSP M750-ZT009-P00S2B-S4-006	BSP00ZL BSP B001-ZT009-P00S2B-S4-006	
Measuring range	0...0.75 bar	0...1 bar	
Accuracy	±0.5 % FSO BFSL	±0.5 % FSO BFSL	
Overload pressure	5 bar	5 bar	
Burst pressure	7.5 bar	7.5 bar	
Operating voltage U_b	18...30 VDC	18...30 VDC	
Interface	IO-Link 1.1	IO-Link 1.1	
Analog output	Analog, voltage/Analog, current selectable 4...20 mA/0...10 V	Analog, voltage/Analog, current selectable 4...20 mA/0...10 V	
Switching output	2x PNP/NPN NO/NC Switchable	2x PNP/NPN NO/NC Switchable	
Connection	Connector, M12x1 connector, 4-pin	Connector, M12x1 connector, 4-pin	
Process connection	1 1/2" Clamp	1 1/2" Clamp	
Process connection material	Stainless steel (1.4404)	Stainless steel (1.4404)	
Gasket, material	—	—	
Housing material	Stainless steel (1.4301) PE, High-density polyethylene	Stainless steel (1.4301) PE, High-density polyethylene	
Media temperature	-10...125 °C	-10...125 °C	
Ambient temperature	-40...85 °C	-40...85 °C	
Protection degree	IP67	IP67	
Approval/Conformity	CE, cULus	CE, cULus	
Productview	Page 361	Page 361	

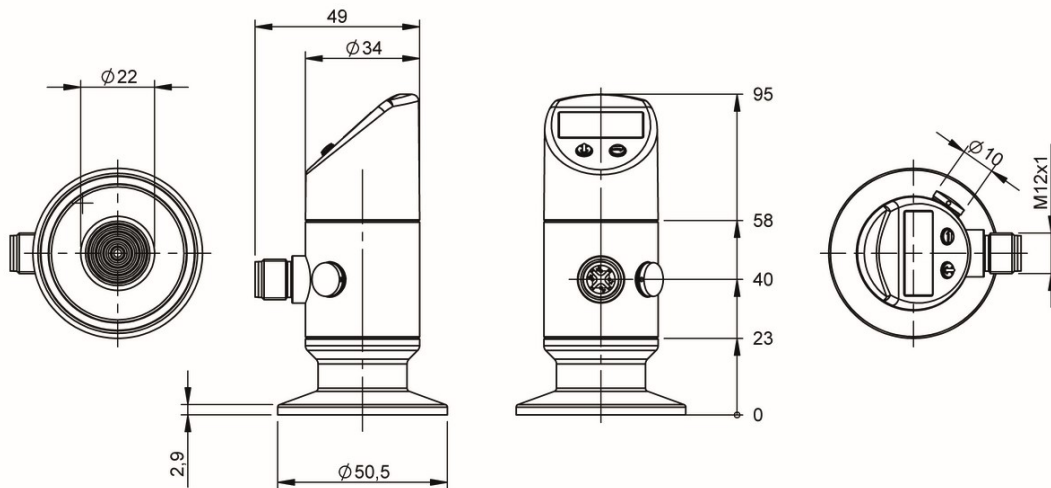


BSP00ZM BSP B002-ZT009-P00S2B-S4-006			
0...2 bar			
±0.5 % FSO BFSL			
10 bar			
15 bar			
18...30 VDC			
IO-Link 1.1			
Analog, voltage/Analog, current selectable 4...20 mA/0...10 V			
2x PNP/NPN NO/NC Switchable			
Connector, M12x1 connector, 4-pin			
1 1/2" Clamp			
Stainless steel (1.4404)			
—			
Stainless steel (1.4301) PE, High-density polyethylene			
-10...125 °C			
-40...85 °C			
IP67			
CE, cULus			
Page 361			



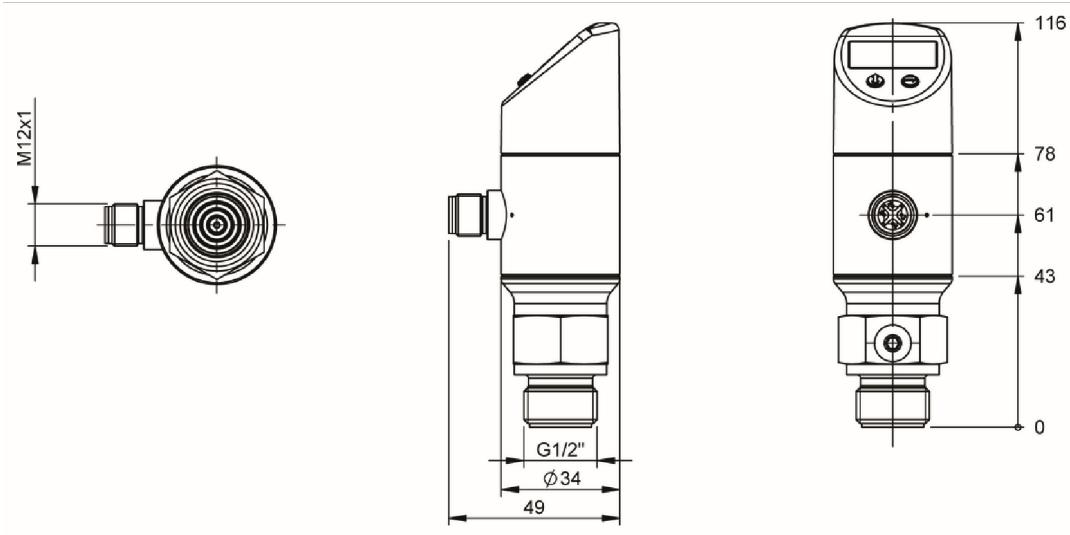
1) Display and control panel, 2) Process connection, 3) Housing rotatable 320°

BSP00ZU, BSP00ZW, BSP00ZY,



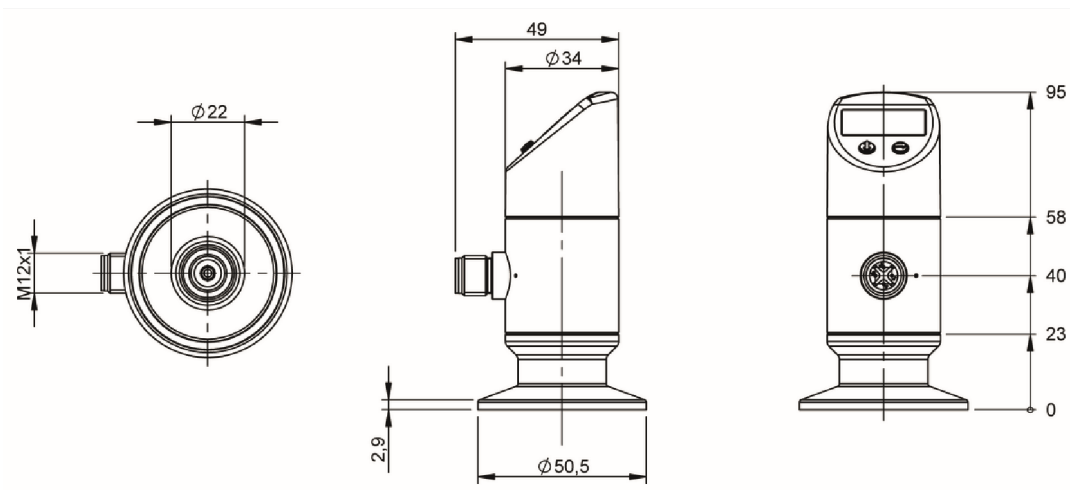
1) Display and control panel, 2) Process connection, 3) Housing rotatable 320°

BSP0102, BSP0103, BSP0100, BSP0101



1) Display and control panel, 2) Process connection, 3) Housing rotatable 320°

BSP00ZH, BSP00Z4, BSP00ZJ, BSP00Z5, BSP00Z6, BSP00ZK, BSP00Z7, BSP00Z8, BSP00Z9, BSP00ZA, BSP00ZC, BSP00ZE, BSP00ZF



1) Display and control panel, 2) Process connection, 3) Housing rotatable 320°

BSP00ZN, BSP00ZP, BSP00ZR, BSP00ZT, BSP00ZL, BSP00ZM