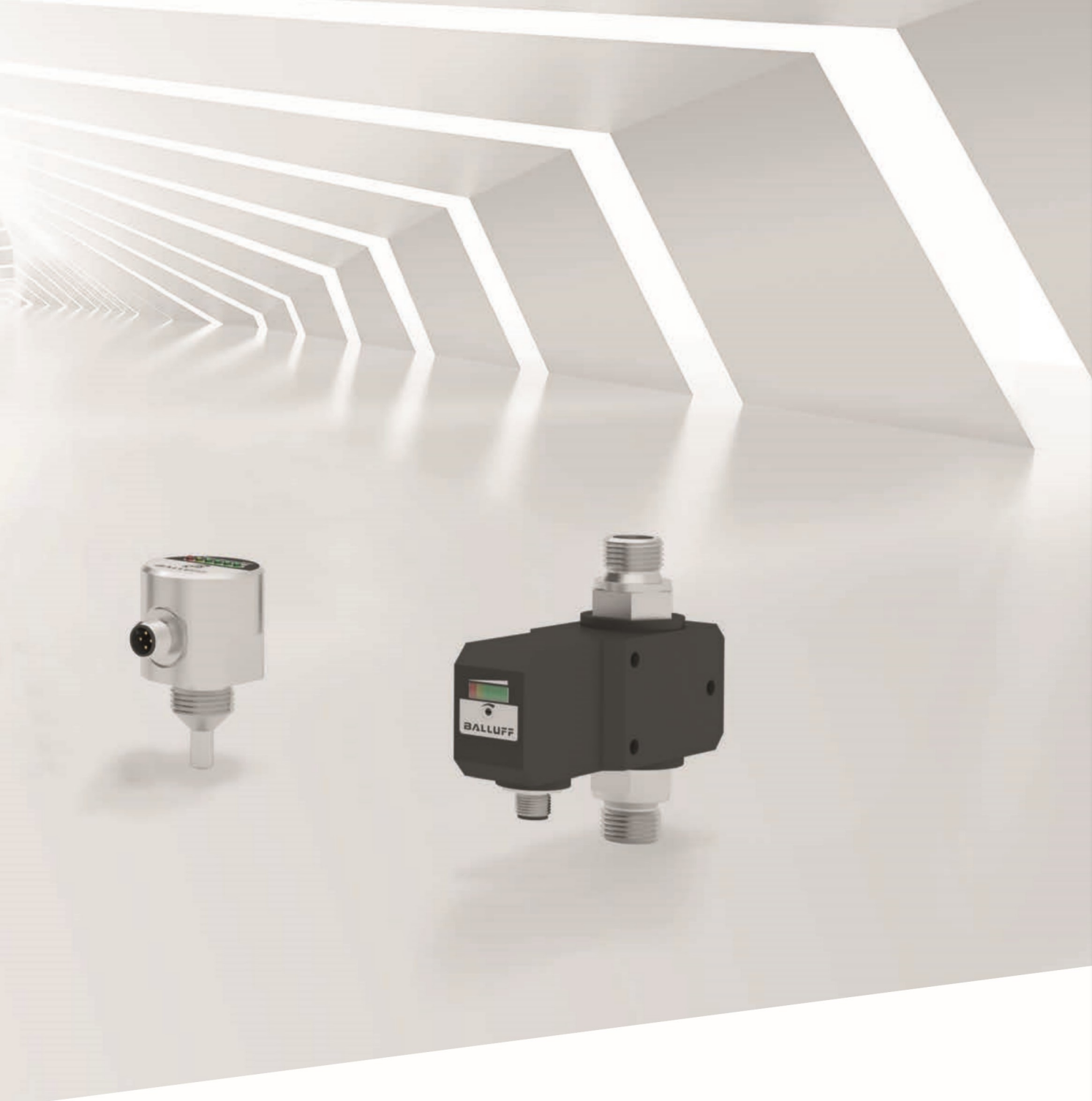


Process security written large

FLOW SENSORS



Flow sensors let you measure and monitor the flow of process media in a wide range of applications. For example the lubricant flow or reliable circulation of cooling water. Now you can detect a pump failure early and prevent an unplanned machine or even system stop.

This is how flow sensors as well as pressure or temperature sensors contribute to process security.



	BFF0004 BFF T7031-HA002-R03A0A-S4	BFF0006 BFF T7040-JA002-R03A0A-S4	
Working range	1...150 cm/s aqueous media, 3...300 cm/s oil	1...150 cm/s aqueous media, 3...300 cm/s oil	
Operating voltage U_b	—	—	
Switching output	—	—	
Connection	Connector, M12x1 connector, 4-pin	Connector, M12x1 connector, 4-pin	
Installation length from contact surface	31 mm	40 mm	
Inside diameter	—	—	
Process connection	G 1/2" outer	NPT 1/2" outer	
Process connection material	Stainless steel (1.4571)	Stainless steel (1.4571)	
Gasket, material	AFM 34	—	
Housing material	Stainless steel (1.4571)	Stainless steel (1.4571)	
Media temperature	-20...80 °C	-20...80 °C	
Pressure rating max.	100 bar	100 bar	
Ambient temperature	-20...80 °C	-20...80 °C	
Protection degree	IP67	IP67	
Approval/Conformity	CE	CE	
Additional text	Required accessories: Signal converter BAE00ZZ	Required accessories: Signal converter BAE00ZZ	
Productview	Page 398	Page 398	



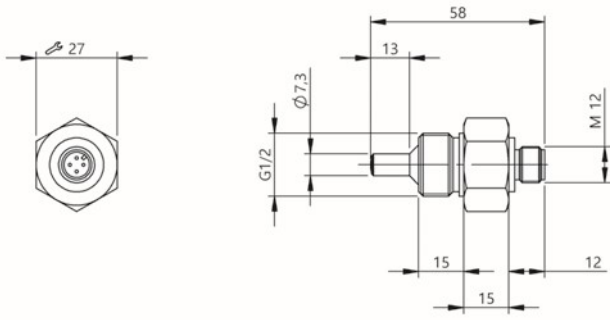
BFF0005 BFF T7048-HA002-R03A0A-S4	BFF0001 BFF T7031-HA001-D06A2A-S4	BFF0003 BFF T7040-JA001-D06A2A-S4	BFF0002 BFF T7048-HA001-D06A2A-S4
1...150 cm/s aqueous media, 3...300 cm/s oil	1...150 cm/s aqueous media, 3...300 cm/s oil	1...150 cm/s aqueous media, 3...300 cm/s oil	1...150 cm/s aqueous media, 3...300 cm/s oil
—	20...28 VDC	20...28 VDC	20...28 VDC
—	PNP	PNP	PNP
Connector, M12x1 connector, 4-pin	Connector, M12x1 connector, 4-pin	Connector, M12x1 connector, 4-pin	Connector, M12x1 connector, 4-pin
48 mm	31 mm	40 mm	48 mm
—	—	—	—
G 1/2" outer	G 1/2" outer	NPT 1/2" outer	G 1/2" outer
Stainless steel (1.4571)	Stainless steel (1.4571)	Stainless steel (1.4571)	Stainless steel (1.4571)
AFM 34	AFM 34	—	AFM 34
Stainless steel (1.4571)	Stainless steel (1.4571) Stainless steel (1.4305)	Stainless steel (1.4571) Stainless steel (1.4305)	Stainless steel (1.4571) Stainless steel (1.4305)
-20...80 °C	-20...80 °C	-20...80 °C	-20...80 °C
100 bar	100 bar	100 bar	100 bar
-20...80 °C	-20...80 °C	-20...80 °C	-20...80 °C
IP67	IP67	IP67	IP67
CE	CE, cULus	CE, cULus	CE, cULus
Required accessories: Signal converter BAE00ZZ	—	—	—
Page 398	Page 398	Page 398	Page 398



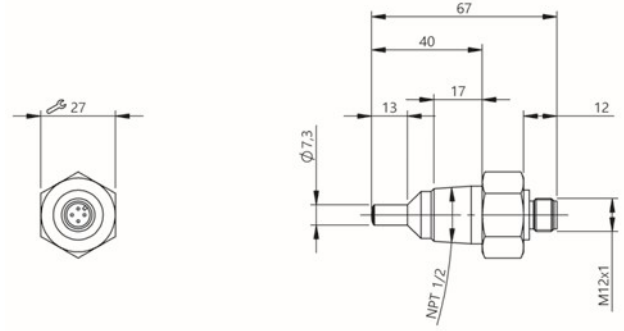
	BFF000A BFF TX006-DA004-D00A2C-S4	BFF0008 BFF TX010-HA004-D00A2C-S4	
Working range	0.1...2 l/min water	1...10 l/min aqueous media	
Operating voltage U_b	22...26 VDC	22...26 VDC	
Switching output	2x PNP normally open/normally closed (NO/NC)	2x PNP normally open/normally closed (NO/NC)	
Connection	Connector, M12x1 connector, 4-pin	Connector, M12x1 connector, 4-pin	
Installation length from contact surface	—	—	
Inside diameter	6 mm	10 mm	
Process connection	G 1/4" outer	G 1/2" outer	
Process connection material	Stainless steel (1.4571)	Stainless steel (1.4571)	
Gasket, material	AFM 34	AFM 34	
Housing material	PBT	PBT	
Media temperature	0...60 °C	-10...80 °C	
Pressure rating max.	10 bar	20 bar	
Ambient temperature	0...60 °C	0...60 °C	
Protection degree	IP54	IP54	
Approval/Conformity	CE	CE	
Additional text	—	—	
Productview	Page 398	Page 398	



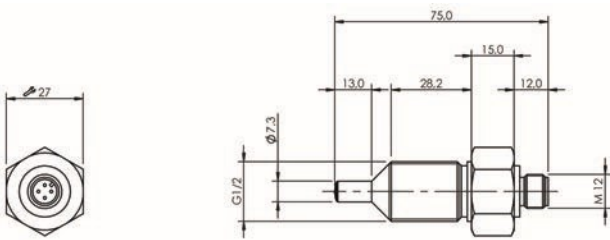
BFF0009 BFF TX015-HA004-D00A2C-S4	BFF0007 BFF TX015-HA003-D06A2A-S4		
1...20 l/min aqueous media	2...25 l/min aqueous media		
22...26 VDC	20...28 VDC		
2x PNP normally open/normally closed (NO/NC)	PNP		
Connector, M12x1 connector, 4-pin	Connector, M12x1 connector, 4-pin		
—	—		
15 mm	15 mm		
G 1/2" outer	G 1/2" outer		
Stainless steel (1.4571)	Stainless steel (1.4571)		
AFM 34	AFM 34		
PBT	PBT		
-10...80 °C	0...80 °C		
20 bar	20 bar		
0...60 °C	0...60 °C		
IP54	IP67		
CE	CE, cULus		
—	—		
Page 398	Page 398		



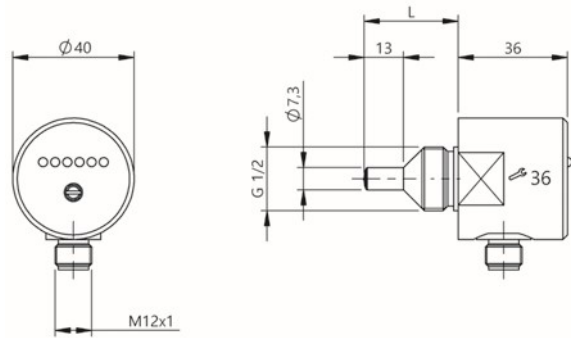
BFF0004



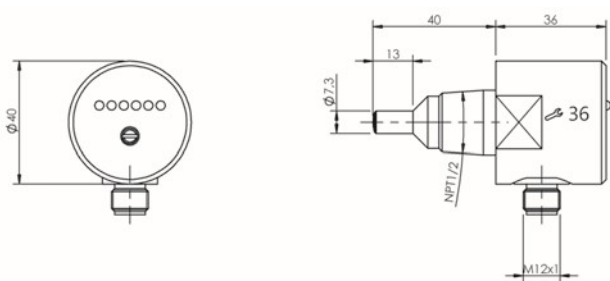
BFF0006



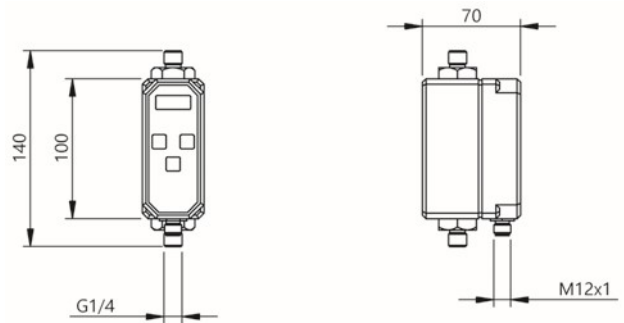
BFF0005



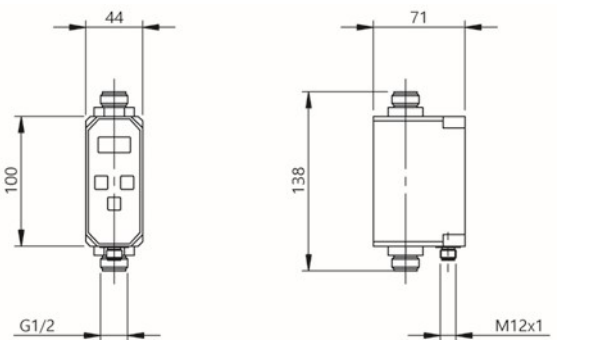
BFF0001, BFF0002



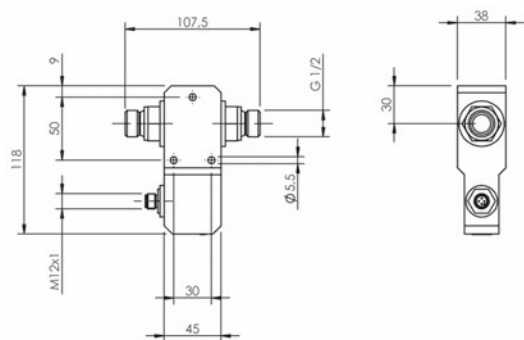
BFF0003



BFF0000A



BFF0008, BFF0009



BFF0007

