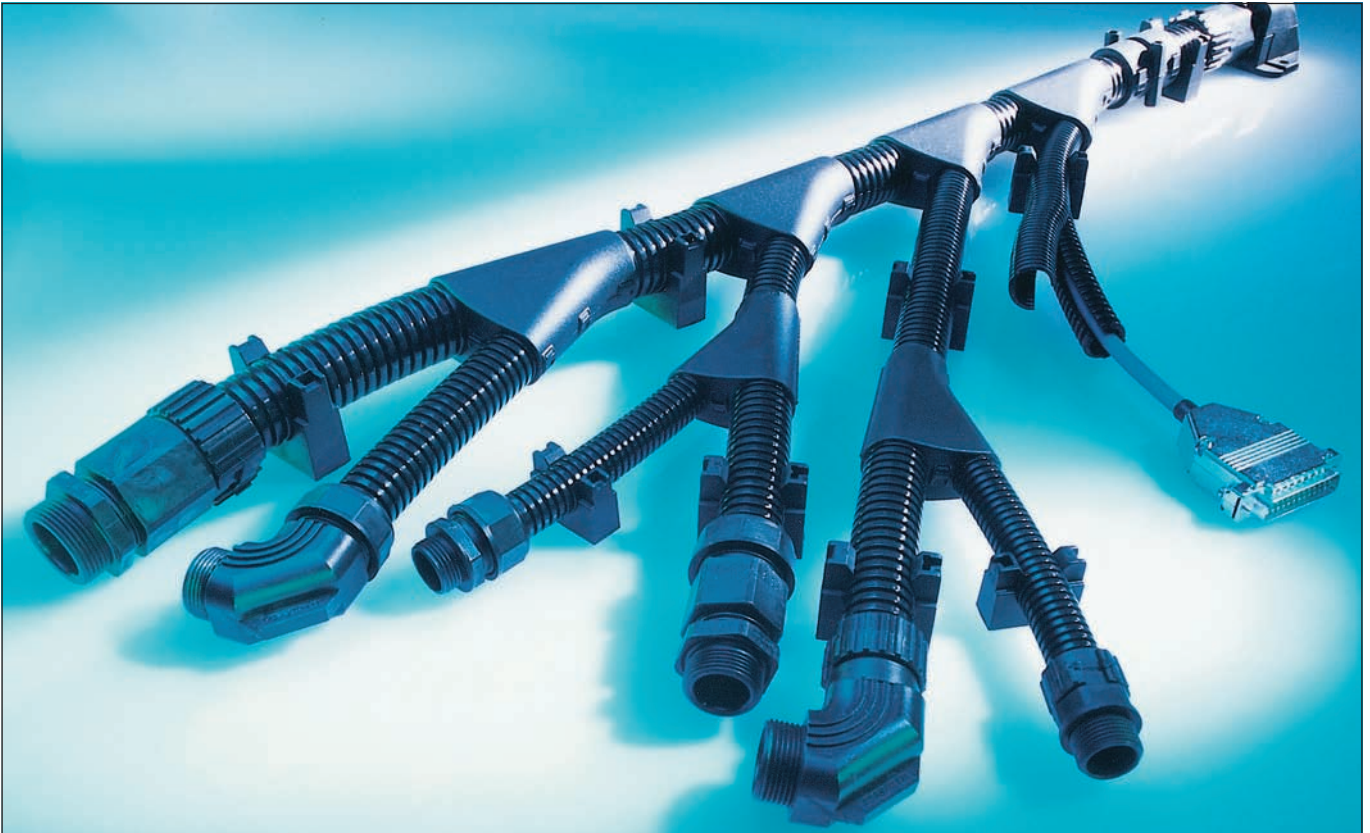


Protectors
Conduit coupling
Conduit distributor



Advantages



Distribute, merge and extend

Conduit distributor, conduit coupling and protectors are made of high-quality polyamine and thermoplastic elastomer.

The large choice of distributors means a huge number of possible combinations and ways of splitting cable protection conduits.

Different protection ratings from IP 40 to IP 67 ensure an extensive range of applications.

The SVG type enables cable protection conduits of the same size to be connected together. Thus, any cable protection conduit can be extended however far you want.

The PR/SV protectors ensure that the cable protection conduits do not suffer from impact or abrasion. Additionally, cable protection conduits can be connected for repair work.



- ✓ Huge variety of types
- ✓ Different materials
- ✓ Different protection ratings
- ✓ Split version
- ✓ Easy installation

Protectors / conduit couplings / conduit distributors



Protectors / conduit couplings / conduit distributors product range



Type PR/SV

Protector as strike guard and Conduit coupling. Cable protection conduits are protected against impact and abrasion.

Page 180



Type SVG

For the extension and repair of cable protection conduits.

Page 182



Type VT

T distributor for cable protection conduits with different diameters.

Page 185



Type SVY

Y distributor for cable protection conduits with different diameters.

Page 184



Type YPA-F

Y distributor made from polyamide for cable protection conduits with high protection rating.

Page 185



Type YTPF-F

Y distributor made from thermoplastic elastomer for cable protection conduits with a high protection rating.

Page 186



Combination options

	PR/SV	SVG	VT	SVY	YPA-F	YTPE-F
EF	X	X	X	X	X	X
EW	✓	✓	✓	✓	✓	✓
EFW	✓	✓	✓	✓	✓	✓
EWS	✓	✓	✓	✓	✓	✓
EWX	✓	✓	✓	✓	✓	✓
EW-G	⚡	⚡	⚡	⚡	⚡	⚡
EW-HY	✓	✓	✓	✓	✓	✓
EW-LS	✓	✓	✓	✓	✓	✓
EW-PA	✓	✓	✓	✓	✓	✓
EW-PA-LS	✓	✓	✓	✓	✓	✓
EW-PA-UL	✓	✓	✓	✓	✓	✓
EW-PA-EX	✓	✓	✓	✓	✓	✓
EW-PAB	✓	✓	✓	✓	✓	✓
EW-PAE	✓	✓	✓	✓	✓	✓
EW-PAL	✓	✓	✓	✓	✓	✓
EW-PAP	X	X	X	X	X	X
EW-PP	✓	✓	✓	✓	✓	✓
EW-PRF	✓	✓	✓	✓	✓	✓
EW-TEF	✓	✓	✓	✓	✓	✓
EWT-PA	✓	✓	✓	✓	✓	✓
EWT-PP	✓	✓	✓	✓	✓	✓
EWX-LS	✓	✓	✓	✓	✓	✓
EWX-PA	✓	✓	✓	✓	✓	✓
EWX-PA-LS	✓	✓	✓	✓	✓	✓
EWX-PA-UL	✓	✓	✓	✓	✓	✓
EWX-PAE	✓	✓	✓	✓	✓	✓
EWX-PAE-LS	✓	✓	✓	✓	✓	✓
GF	X	X	X	X	X	X

✓ combinable

X not combinable

⚡ combinable to an extent (remove sheathing)

Protectors / conduit couplings / conduit distributors



Material data

	Material	Temperature area [°C]			Protection class	Fire specifications UL94	Halogen-free	Phosphorous-free	Cadmium-free	Asbestos-free	Lead-free	RoHS Compliant
		Min.	Max.	Short periods								
PR/SV	Polyamide PA6	-40	110	140		V0	✓	✓	✓	✓	✓	✓
SVG	Polyamide PA6	-40	110	140	IP 42 IP 54 screwed	V0	✓	✓	✓	✓	✓	✓
VT	Polyamide PA6	-40	110	140	IP 42	V0	✓	✓	✓	✓	✓	✓
SVY	Polyamide PA6	-40	110	140	IP 42	V0	✓	✓	✓	✓	✓	✓
YPA-F	Polyamide PA6	-30	100		IP 67	V0	✓	✓	✓	✓	✓	✓
YTPE-F	Thermoplastic elastomer	-30	100		IP 67	HB	✓	✓	✓	✓	✓	✓



Protectors / conduit couplings / conduit distributors

Type PR/SV



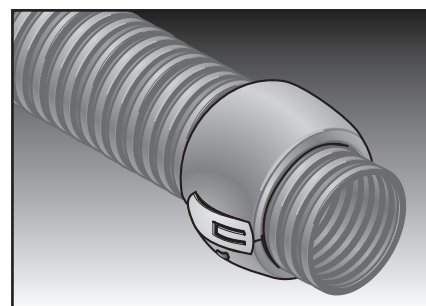
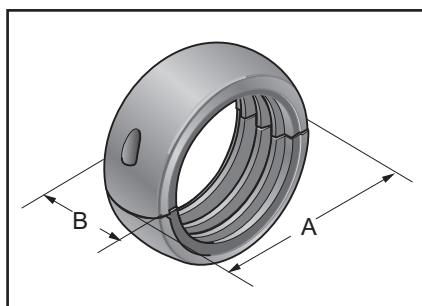
-40 to 110 °C
transient 140 °C

Mod. polyamide

V0

Protector as strike guard and conduit coupling. Cable protection conduits are protected against impact and abrasion. If required, cable protection conduits can also be connected.

- Flat construction method
- Simple assembly with a sliding lock, without the need for tools
- Optional stop screw (included in delivery)




PR/SV

Type	Order no.	Colour black	Suitable for Murrflex	A mm	B mm	Pack qty.
Flat design for cable protection conduits with standard corrugation, type EW-xx						
PR/SV-EW 21	83691058	black	M25/P21	51.6	51.2	10
PR/SV-EW 29	83691060	black	M32/P29	57.9	51.0	10
PR/SV-EW 36	83691062	black	M40/P36	66.0	51.5	10
PR/SV-EW 48	83691064	black	M50/P48	78.0	49.5	10
PR/SV-EW 56	83691065	black	NW56	90.8	51.0	5
PR/SV-EW 70	83691066	black	NW70	103.5	51.5	5
Flat design for cable protection conduits with standard corrugation, type EWX-xx						
PR/SV-EW 21	83691018	grey	M25/P21	51.6	51.2	10
PR/SV-EW 29	83691020	grey	M32/P29	57.9	51.0	10
PR/SV-EW 36	83691022	grey	M40/P36	66.0	51.5	10
PR/SV-EW 48	83691024	grey	M50/P48	78.0	49.5	10
PR/SV-EW 56	83691025	grey	NW56	90.8	51.0	5
PR/SV-EW 70	83691026	grey	NW70	103.5	51.5	5
Flat design for cable protection conduits with standard corrugation, type EWX-xx						
PR/SV-EWX 21	83691258	black	M25/P21	51.6	51.9	10
PR/SV-EWX 29	83691260	black	M32/P29	57.9	51.0	10
PR/SV-EWX 36	83691262	black	M40/P36	66.0	51.5	10
PR/SV-EWX 48	83691264	black	M50/P48	78.0	49.5	10
PR/SV-EWX 56	83691265	black	NW56	90.8	51.0	5
PR/SV-EWX 70	83691266	black	NW70	103.5	51.5	5

Type VT

RoHS
compliant

 -40 to 110 °C
transient 140 °C

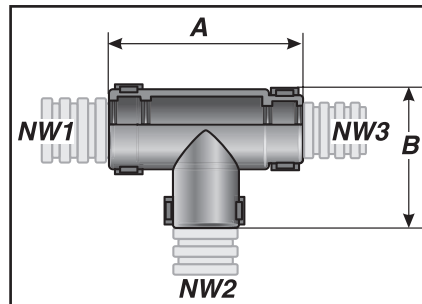
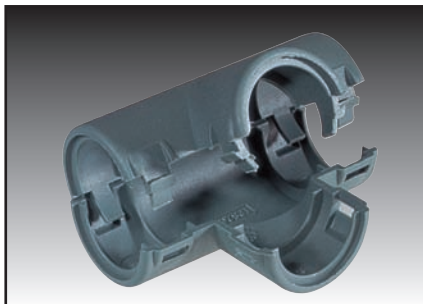
 Mod. polyamide

 V0

 IP 42

T distributor for cable protection conduits with different diameters.

- Easy assembly by latching
- Split version makes routing of cables easy
- The distributor envelops the conduit, which means that the entire inside diameter of the conduit is available



VT

Type	Order no.	Colour	for Murrflex with Standard corrugation NW1/NW2/NW3	A mm	B mm	Pack qty.
VT 080808	83702410	black	06/06/06	45.2	31.1	10
VT 120808	83702412	black	09/06/06	45.2	31.1	10
VT 120812	83702414	black	09/06/09	45.2	31.1	10
VT 121208	83702416	black	09/09/06	45.2	31.1	10
VT 121212	83702418	black	09/09/09	45.2	31.1	10
VT 160816	83702420	black	11/06/11	49.1	34.8	10
VT 161212	83702422	black	11/09/09	49.1	34.8	10
VT 161216	83702424	black	11/09/11	49.1	34.8	10
VT 161612	83702426	black	11/11/09	49.1	34.8	10
VT 161616	83702428	black	11/11/11	49.1	34.8	10
VT 200820	83702430	black	16/06/16	56.5	41.0	10
VT 201216	83702432	black	16/09/11	56.5	41.0	10
VT 201220	83702434	black	16/09/16	56.5	41.0	10
VT 201616	83702436	black	16/11/11	56.5	41.0	10
VT 201620	83702438	black	16/11/16	56.5	41.0	10
VT 202016	83702440	black	16/16/11	56.5	41.0	10
VT 202020	83702441	black	16/16/16	56.5	41.0	10
VT 281220	83702442	black	21/09/16	64.5	48.6	10
VT 281620	83702444	black	21/ 11/16	64.5	48.6	10
VT 282020	83702446	black	21/16/16	64.5	48.6	10
VT 281228	83702448	black	21/09/21	64.5	48.6	10
VT 281628	83702450	black	21/11/21	64.5	48.6	10
VT 282028	83702452	black	21/16/21	64.5	48.6	10
VT 282828	83702454	black	21/21/21	64.5	48.6	10
VT 321632	83702456	black	29/11/29	72.0	55.3	10
VT 322032	83702458	black	29/16/29	72.0	55.3	10





Protectors / conduit couplings / conduit distributors

Type SVY



-40 to 110 °C
transient 140 °C

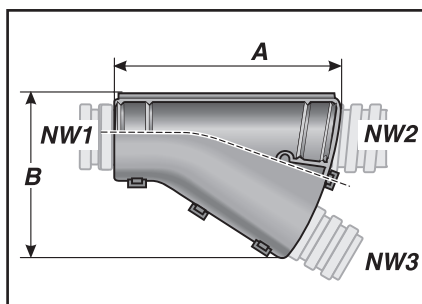
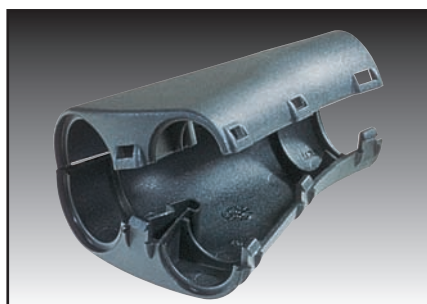
Mod. polyamide

V0

IP 42

Y distributor for cable protection conduits with different diameters.

- Easy assembly by latching
- Split version makes routing of cables easy
- The distributor envelops the conduit, which means that the entire inside diameter of the conduit is available







SVY

Type	Order no.	Colour	for Murrflex with Standard corrugation NW1/NW2/NW3	A mm	B mm	Pack qty.
SVY 080808	83701410	black	06/06/06	54.6	37.1	10
SVY 120808	83701412	black	09/06/06	54.6	37.1	10
SVY 121208	83701414	black	09/06/06	54.6	37.1	10
SVY 121212	83701416	black	09/09/09	54.6	37.1	10
SVY 161208	83701418	black	11/09/06	54.6	39.8	10
SVY 161212	83701420	black	11/09/09	54.6	39.8	10
SVY 161608	83701422	black	11/11/06	54.9	39.8	10
SVY 161612	83701424	black	11/11/09	54.9	39.8	10
SVY 200808	83701426	black	16/06/06	42.8	39.8	10
SVY 201208	83701428	black	16/09/06	42.8	41.0	10
SVY 201212	83701430	black	16/09/09	42.8	41.0	10
SVY 201608	83701432	black	16/11/06	48.2	39.6	10
SVY 201612	83701434	black	16/11/09	48.2	39.6	10
SVY 202008	83701436	black	16/16/06	57.9	44.9	10
SVY 202012	83701438	black	16/16/09	57.9	44.9	10
SVY 202016	83701440	black	16/16/11	63.5	47.5	10
SVY 282012	83701442	black	21/16/09	53.5	49.0	10
SVY 282016	83701444	black	21/16/11	53.5	49.0	10
SVY 282812	83701446	black	21/21/09	67.0	56.5	10
SVY 282816	83701448	black	21/21/11	67.0	56.5	10
SVY 282820	83701450	black	21/21/16	76.5	50.0	10
SVY 282828	83701452	black	21/21/21	92.1	66.8	10

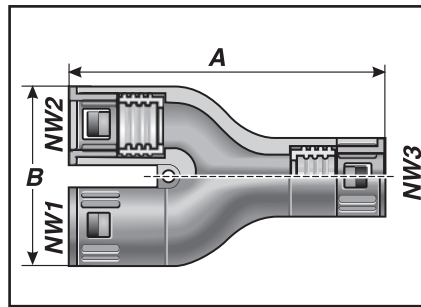
Type YPA-F

RoHS compliant

-  -30 to 100 °C
-  Mod. polyamide
-  V0
-  IP 67

Y distributor made from polyamide for cable protection conduits with high protection rating.

- Easy assembly - just insert the cable protection conduit
- High protection class
- Closed design



YPA-F

Type	Order no.	Colour	for Murrflex with Standard corrugation NW1/NW2/NW3	A mm	B mm	Pack qty.
YPA-F-6/6/9	83701850	black	6/6/9	63.0	36.0	10
YPA-F-9/9/9	83701854	black	9/9/9	65.0	43.0	10
YPA-F-9/9/11	83701858	black	9/9/11	66.0	45.0	10
YPA-F-11/11/11	83701862	black	11/11/11	68.0	46.0	10
YPA-F-6/6/9	83701810	grey	6/6/9	63.0	36.0	10
YPA-F-9/9/9	83701814	grey	9/9/9	65.0	43.0	10
YPA-F-9/9/11	83701818	grey	9/9/11	66.0	45.0	10
YPA-F-11/11/11	83701822	grey	11/11/11	68.0	46.0	10





Protectors / conduit couplings / conduit distributors

Type YTPE-F



-30 to 100 °C



Mod. thermoplastic elastomer



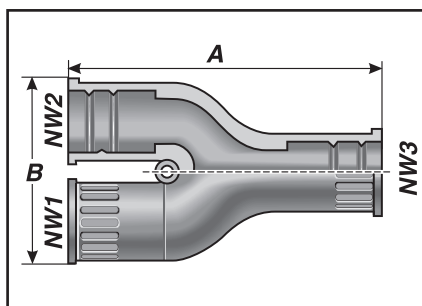
HB



IP 67

Y distributor made from thermoplastic elastomer for cable protection conduits with high protection rating.

- Easy assembly - just insert the cable protection conduit
- High protection class
- Closed design



YTPE-F

Type	Order no.	Colour	for Murrflex with Standard corrugation NW1/NW2/NW3	A mm	B mm	Pack qty.
YTPE-F-6/6/6	83701856	black	06/06/06	51.0	32.0	10
YTPE-F-11/11/16	83701870	black	11/11/16	75.0	51.0	10
YTPE-F-11/11/21	83701872	black	11/11/21	81.0	52.0	10
YTPE-F-16/16/16	83701874	black	16/16/16	81.0	61.0	10
YTPE-F-16/16/21	83701878	black	16/16/21	81.0	61.0	10
YTPE-F-21/21/29	83701882	black	21/21/29	87.0	79.0	10
YTPE-F-29/29/36	83701886	black	29/29/36	99.0	87.0	10
YTPE-F-36/36/48	83701888	black	36/36/48	116.0	109.0	10
YTPE-F-6/6/6	83701826	grey	06/06/06	51.0	32.0	10
YTPE-F-11/11/16	83701830	grey	11/11/16	75.0	51.0	10
YTPE-F-11/11/21	83701832	grey	11/11/21	81.0	52.0	10
YTPE-F-16/16/16	83701834	grey	16/16/16	81.0	61.0	10
YTPE-F-16/16/21	83701838	grey	16/16/21	81.0	61.0	10
YTPE-F-21/21/29	83701842	grey	21/21/29	87.0	79.0	10
YTPE-F-29/29/36	83701846	grey	29/29/36	99.0	87.0	10
YTPE-F-36/36/48	83701848	grey	36/36/48	116.0	109.0	10