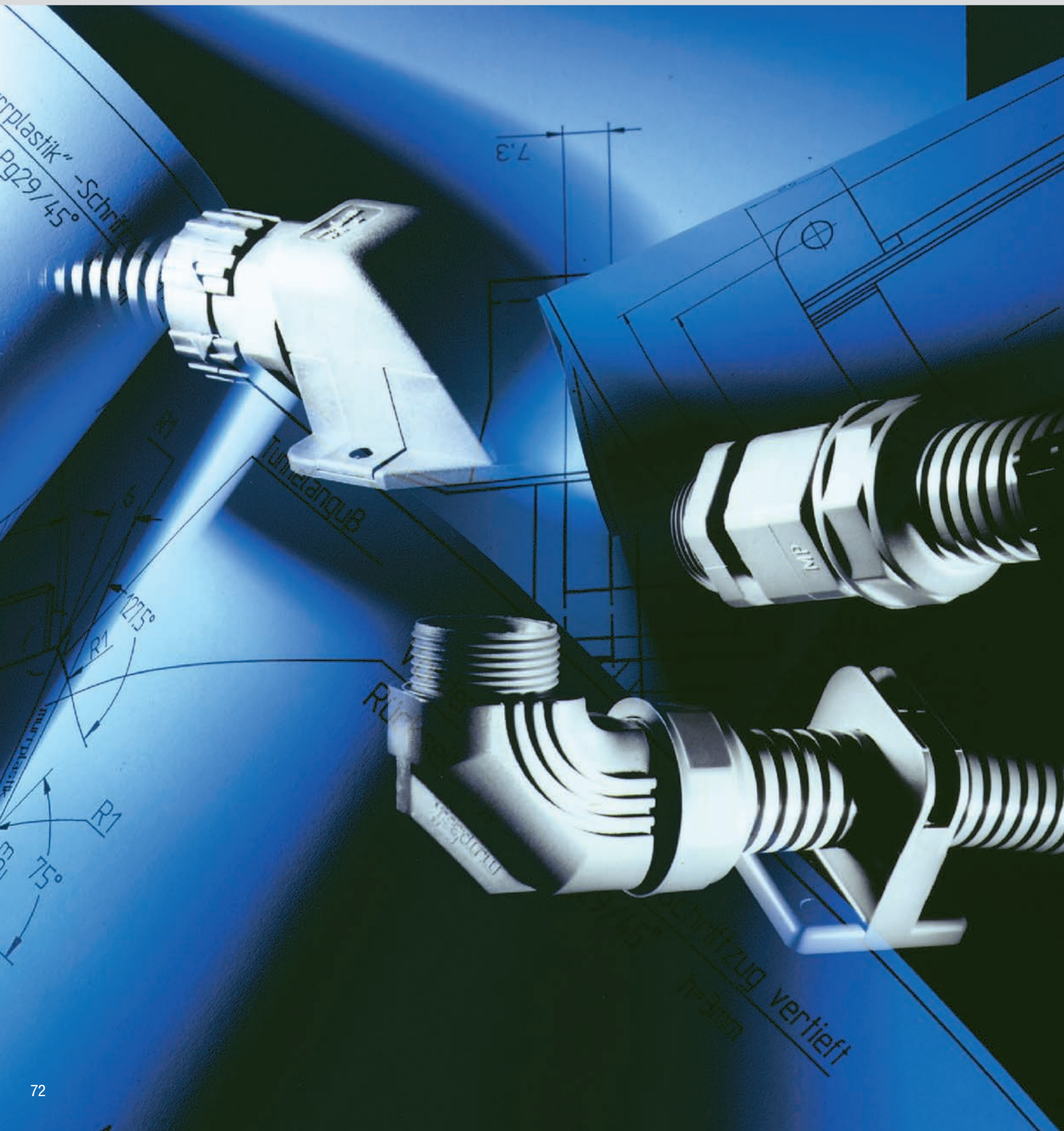


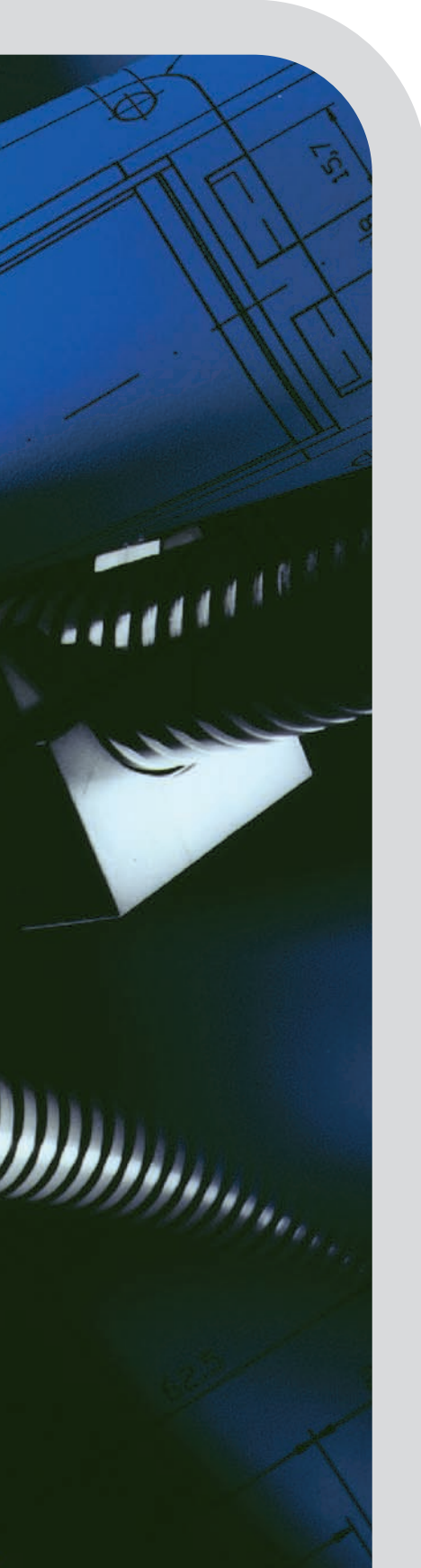
Conduit fitting
Bulkhead fitting





Conduit and bulkhead fittings





Your cables are bound together with Murrplastik cable protection conduits and are secured against damage and environmental impact occurring to the control cabinet of the machine.

Now it is imperative that the safety chain is inserted into the housing very carefully.

This task is easily fulfilled by Murrplastik conduit connections and fittings exactly according to your requirements.

Our extensive range includes everything from simple conduit connections with protection class IP 54 through to highly dense, tear-out proof conduit fittings of class IP 68 or IP 69K.

The compatibility of conduits, fittings and flange connections emphasises the system idea, as with all Murrplastik product ranges.

Well-thought out design and quick, simple or even tool-less assembly are the characteristics of our products.

- No loose piece that can get lost, everything is pre-assembled and ready to install.
- Integrated vibration protection in the form of a latch prevents unintended loosening of the cap nut and increase process safety during assembly and when in use.
- Burr less and edgeless inner bends enable efficient work even with 90° angled fittings.
- Simple locking mechanisms make retrofits and/or maintenance to existing systems easy.
- Connection threads made of metal and plastic fitted with metric, Pg or NPT threads, greatly increase the application of your products all over the world.

Our conduit fitting system gives you great advantages: less working time and more process safety through the use of innovative Murrplastik products



Conduit and bulkhead fittings product range





Conduit connection bulkhead fittings

90° conduit connection. The large opening allows easy insertion of pre-assembled conduits.

Page 142



m-jumbo conduit fittings

Conduit connections for large cable protection conduits NW 70 and NW 95. The cable protection conduit remains rotatable in the fitting.

Page 150



m-top conduit fitting

Protection class IP 68. The variety of types with different thread types ensures almost any use.

Page 84



m-tec conduit fitting

Protection class IP 65. A conduit fitting in various models with different thread types.

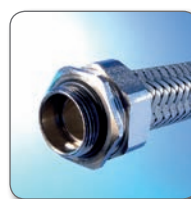
Page 110



m-fix conduit fittings

Protection class IP 54/65. m-fix is a quick-plug-in fitting. Simply stick in the conduit. That's all there is to it!

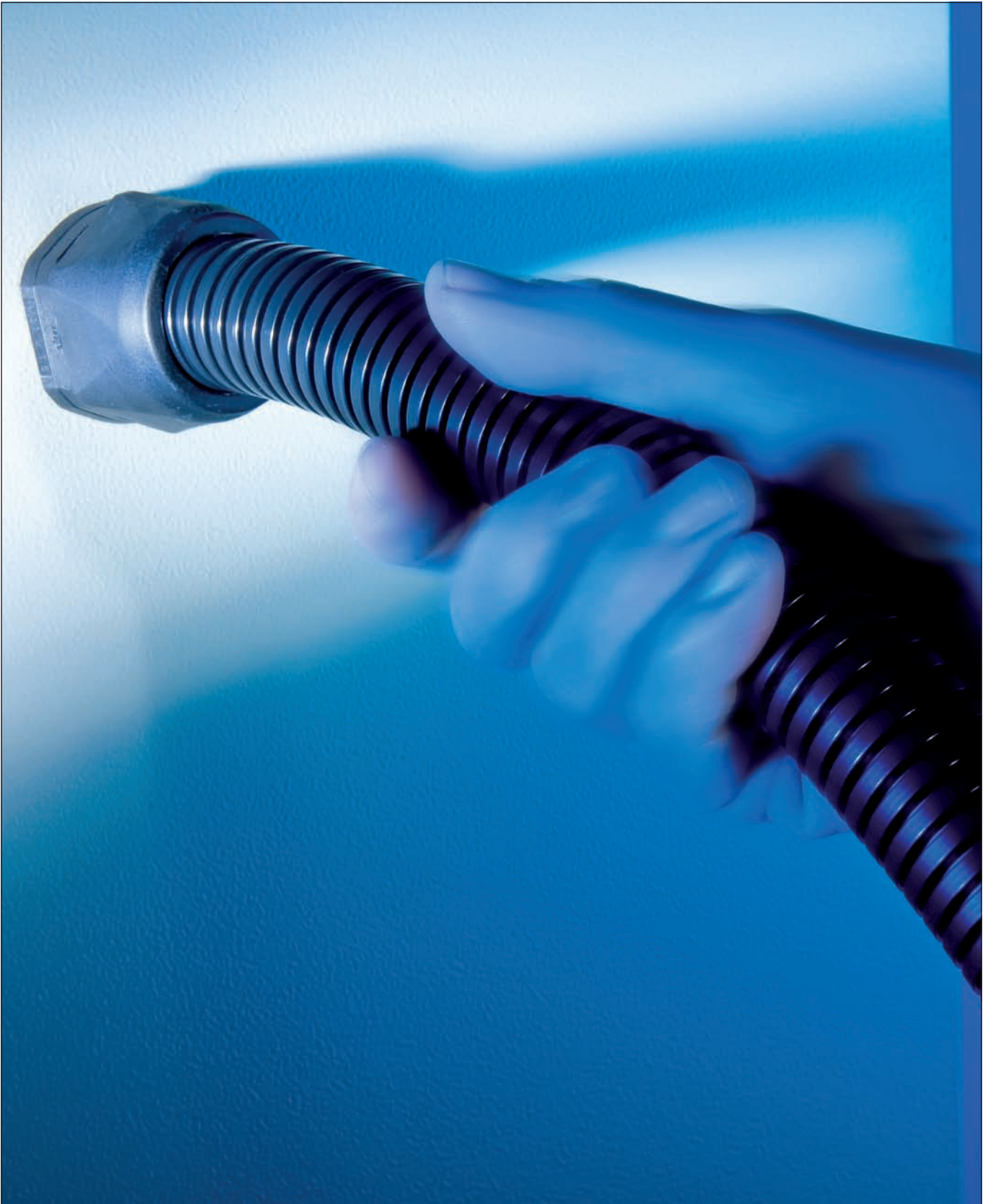
Page 130



Special fitting

Special fitting for the connection of standard and special conduits.

Page 160



m-top conduit fitting





Advantages



High protection class

The m-top family consists of conduit fittings manufactured from high-grade polyamide. Their design means that the fittings offer a high protection rating of IP 68 or IP 69K.

The fittings are completely pre-assembled and no additional parts such as cap nuts, gaskets, conduit seals etc. need to be fitted. This ensures the greatest possible process reliability in assembly.

The cable protection conduit can be assembled quickly and easily by simply inserting the conduit and turning the cap nut. The nut engages in the body, preventing unintentional opening. As the inside bends in the fittings have no edges, the introduction of cables through 45° and 90° fittings does not present any problem.



- ✓ High protection class
- ✓ One-piece fitting
- ✓ Quick assembly



Large variety

Thanks to its large range, the m-top family of fittings has the perfect solution for practically every requirement.

Thanks to its construction, the fitting has a very high tear-out strength.

The fitting is available in straight versions and 45° and 90° angled versions. The connection thread is available in metal and plastic and in metric, Pg or NPT versions.

Due to its listing with the Underwriters Laboratories (UL) and the Canadian Standards Association (CSA), the fitting m-top has been approved for the north American market.

In addition to this they are also approved by the German, British and French national railway companies.



- ✓ Huge variety of types
- ✓ High tear-out strength
- ✓ Optimal process safety



m-top series product range



EMV version



Type CVG EMV (conduit and cable fitting; metal thread)

Metric ISO thread (M)
EMV version

Page 90



Type CVW 45° EMV (conduit and cable fitting; metal thread)

Metric ISO thread (M)
EMV version

Page 96




Type CVW 90° EMV (conduit and cable fitting; metal thread)

Metric ISO thread (M)
EMV version

Page 103

Metal thread


Plastic thread



Type VG (metal thread)

Metric ISO thread (M)
PG thread (Pg)
National Pipe Taper (NPT)


Page 86



Type VG (plastic thread)

Metric ISO thread (M)
PG thread (Pg)
National Pipe Taper (NPT)


Page 84



Type VW 45° (metal thread)

Metric ISO thread (M)
PG thread (Pg)
National Pipe Taper (NPT)


Page 93



Type VW 45° (plastic thread)

Metric ISO thread (M)
PG thread (Pg)
National Pipe Taper (NPT)


Page 91



Type VW 90° (metal thread)

Metric ISO thread (M)
PG thread (Pg)
National Pipe Taper (NPT)


Page 100



Type VW 90° (plastic thread)

Metric ISO thread (M)
PG thread (Pg)
National Pipe Taper (NPT)


Page 99



Type DVW 45° (360° rotatable conduit fitting; metal thread)

Metric ISO thread (M)


Page 97



Type CVW 45° (conduit and cable fitting; plastic thread)

Metric ISO thread (M)


Page 95



Type DVW 90° (360° rotatable conduit fitting; metal thread)

Metric ISO thread (M)


Page 104



Type CVW 90° (conduit and cable fitting; plastic thread)

Metric ISO thread (M)


Page 102



Type IVG (metal internal thread)

Metric ISO thread (M)

Page 88



Type CVG (conduit and cable fitting; plastic thread)

Metric ISO thread (M)

Page 89

Combination options

	Conduit fittings up to conduit size M50 / Pg48								
	VG	IVG	CVG	VW 45°	CW 45°	DW 45°	VW 90°	CW 90°	DW 90°
EF	✗	✗	✗	✗	✗	✗	✗	✗	✗
EW	✓	✓	✓	✓	✓	✓	✓	✓	✓
EFW	✓	✓	✓	✓	✓	✓	✓	✓	✓
EWS	✓	✓	✓	✓	✓	✓	✓	✓	✓
EWX	✓	✓	✓	✓	✓	✓	✓	✓	✓
EW-G	⦿	⦿	⦿	⦿	⦿	⦿	⦿	⦿	⦿
EW-HY	✓	✓	✓	✓	✓	✓	✓	✓	✓
EW-LS	✓	✓	✓	✓	✓	✓	✓	✓	✓
EW-PA	✓	✓	✓	✓	✓	✓	✓	✓	✓
EW-PA-LS	✓	✓	✓	✓	✓	✓	✓	✓	✓
EW-PA-UL	✓	✓	✓	✓	✓	✓	✓	✓	✓
EW-PA-EX	✓	✓	✓	✓	✓	✓	✓	✓	✓
EW-PAB	✓	✓	✓	✓	✓	✓	✓	✓	✓
EW-PAE	✓	✓	✓	✓	✓	✓	✓	✓	✓
EW-PAL	✓	✓	✓	✓	✓	✓	✓	✓	✓
EW-PAP	✗	✗	✗	✗	✗	✗	✗	✗	✗
EW-PP	✓	✓	✓	✓	✓	✓	✓	✓	✓
EW-PRF	✓	✓	✓	✓	✓	✓	✓	✓	✓
EW-TEF	✓	✓	✓	✓	✓	✓	✓	✓	✓
EWT-PA	✓	✓	✓	✓	✓	✓	✓	✓	✓
EWT-PP	✓	✓	✓	✓	✓	✓	✓	✓	✓
EWX-LS	✓	✓	✓	✓	✓	✓	✓	✓	✓
EWX-PA	✓	✓	✓	✓	✓	✓	✓	✓	✓
EWX-PA-LS	✓	✓	✓	✓	✓	✓	✓	✓	✓
EWX-PA-UL	✓	✓	✓	✓	✓	✓	✓	✓	✓
EWX-PAE	✓	✓	✓	✓	✓	✓	✓	✓	✓
EWX-PAE-LS	✓	✓	✓	✓	✓	✓	✓	✓	✓
GF	✗	✗	✗	✗	✗	✗	✗	✗	✗

✓ combinable

✗ not combinable

⦿ combinable to an extent (remove sheathing)

Material data

	Material			Temperature area [°C]			Protection rating on corrugated conduit	Protection class on cable with combined conduit and cable fittings	Fire specifications UL94	UL File number E148958	Halogen-free	Phosphorous-free	Cadmium-free	Asbestos-free	Lead-free	Silicone-free	RoHS Compliant
	Fitting	Connection thread	Moulded seal	Min.	Max.	Short periods											
VG-K	Polyamide PA6	Polyamide	TPE	-40	110	140	IP 68 up to 6 bar (IP 69K)		V0	✓	✓	✓	✓	✓	✓	✓	✓
VG-M	Polyamide PA6	Brass nickel-plated	TPE	-40	110	140	IP 68 up to 6 bar (IP 69K)		V0	✓	✓	✓	✓	✓	✓	✓	✓
IVG	Polyamide PA6	Brass nickel-plated	TPE	-40	110	140	IP 68 up to 6 bar (IP 69K)		V0	✓	✓	✓	✓	✓	✓	✓	✓
CVG-K	Polyamide PA6	Polyamide	TPE	-40	110	140	IP 68 up to 6 bar (IP 69K)	IP 68	V0	✓	✓	✓	✓	✓	✓	✓	✓
CVG-M	Polyamide PA6	Brass nickel-plated	TPE	-40	110	140	IP 68 up to 6 bar (IP 69K)	IP 68	V0	✓	✓	✓	✓	✓	✓	✓	✓
VW 45°-K	Polyamide PA6	Polyamide	TPE	-40	110	140	IP 68 up to 6 bar (IP 69K)		V0	✓	✓	✓	✓	✓	✓	✓	✓
VW 45°-M	Polyamide PA6	Brass nickel-plated	TPE	-40	110	140	IP 68 up to 6 bar (IP 69K)		V0	✓	✓	✓	✓	✓	✓	✓	✓
CVW 45°-K	Polyamide PA6	Polyamide	TPE	-40	110	140	IP 68 up to 6 bar (IP 69K)	IP 68	V0	✓	✓	✓	✓	✓	✓	✓	✓
CVW 45°-M	Polyamide PA6	Brass nickel-plated	TPE	-40	110	140	IP 68 up to 6 bar (IP 69K)	IP 68	V0	✓	✓	✓	✓	✓	✓	✓	✓
DVW 45°	Polyamide PA6	Brass nickel-plated	TPE	-40	110	140	IP 68 up to 6 bar (IP 69K)		V0	✓	✓	✓	✓	✓	✓	✓	✓
VW 90°-K	Polyamide PA6	Polyamide	TPE	-40	110	140	IP 68 up to 6 bar (IP 69K)		V0	✓	✓	✓	✓	✓	✓	✓	✓
VW 90°-M	Polyamide PA6	Brass nickel-plated	TPE	-40	110	140	IP 68 up to 6 bar (IP 69K)		V0	✓	✓	✓	✓	✓	✓	✓	✓
CVW 90°-K	Polyamide PA6	Polyamide	TPE	-40	110	140	IP 68 up to 6 bar (IP 69K)	IP 68	V0	✓	✓	✓	✓	✓	✓	✓	✓
CVW 90°-M	Polyamide PA6	Brass nickel-plated	TPE	-40	110	140	IP 68 up to 6 bar (IP 69K)	IP 68	V0	✓	✓	✓	✓	✓	✓	✓	✓
DVW 90°	Polyamide PA6	Brass nickel-plated	TPE	-40	110	140	IP 68 up to 6 bar (IP 69K)		V0	✓	✓	✓	✓	✓	✓	✓	✓



Type VG (plastic thread)



IP68



-40 to 110 °C
transient 140 °C



Mod. polyamide



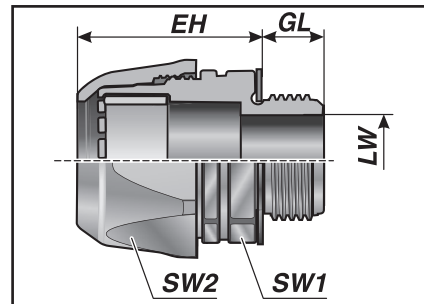
V0



IP 68 to 6 bar (IP 69K)

Straight conduit fitting with plastic thread.

- Insert conduit → screw upper part tight → ready
- Reliable assembly because fitting is supplied pre-assembled.
No additional parts required
- Resistant to vibration due to lockable cap nut
- Clamping along entire circumference ensuring maximum tear-out strength
- High sealant properties corresponding to IP 68 to 6 bar (IP 69K) without additional parts
- Simple check that the conduit is assembled correctly



VG

Type	Order no.	Colour	Connecting thread	Suitable for Murrflex	EH mm	GL mm	LW mm	SW 1/2 mm	Pack qty.
Metric plastic thread									
VG M12-K	83511052	black	M12x1.5	M12/P9	21.0	12.0	7.2	20/20	50
VG M16-K	83511054	black	M16x1.5	M16/P11	27.0	12.0	10.5	25/25	50
VG M20-K	83511056	black	M20x1.5	M20/P16	35.0	13.0	14.6	33/33	50
VG M25-K	83511058	black	M25x1.5	M25/P21	37.0	13.0	18.7	41/41	50
VG M32-K	83511060	black	M32x1.5	M32/P29	46.0	14.0	26.0	50/50	25
VG M40-K **	83511062	black	M40x1.5	M40/P36	53.0	17.0	33.0	60/60	25
VG M50-K	83511064	black	M50x1.5	M50/P48	60.0	17.0	41.2	75/75	10
Pg plastic thread									
VG P9-K	83511452	black	Pg 9	M12/P9	21.0	12.0	7.2	20/20	50
VG P11-K	83511454	black	Pg 11	M16/P11	27.0	12.0	10.5	25/25	50
VG P16-K	83511456	black	Pg 16	M20/P16	35.0	13.0	14.6	33/33	50
VG P21-K	83511458	black	Pg 21	M25/P21	37.0	13.0	19.0	41/41	50
VG P29-K	83511460	black	Pg 29	M32/P29	46.0	14.0	26.0	50/50	25
VG P36-K **	83511462	black	Pg 36	M40/P36	53.0	17.0	33.5	60/60	25
VG P48-K	83511464	black	Pg 48	M50/P48	60.0	17.0	41.2	75/75	10



Type VG (plastic thread)

RoHS
compliant

Type	Order no.	Colour	Connecting thread	Suitable for Murrflex	EH mm	GL mm	LW mm	SW 1/2 mm	Pack qty.
VG P9-K	83511412	grey	Pg 9	M12/P9	21.0	12.0	7.2	20/20	50
VG P11-K	83511414	grey	Pg 11	M16/P11	27.0	12.0	10.5	25/25	50
VG P16-K	83511416	grey	Pg 16	M20/P16	35.0	13.0	14.6	33/33	50
VG P21-K	83511418	grey	Pg 21	M25/P21	37.0	13.0	19.0	41/41	50
VG P29-K	83511420	grey	Pg 29	M32/P29	46.0	14.0	26.0	50/50	25
VG P36-K **	83511422	grey	Pg 36	M40/P36	53.0	17.0	33.5	60/60	25
VG P48-K	83511424	grey	Pg 48	M50/P48	60.0	17.0	41.2	75/75	10
NPT plastic thread									
VG N 3/8"-K	83511850	black	3/8"	M16/P11	27.0	13.0	10.6	25/25	50
VG N 1/2"-K	83511852	black	1/2"	M20/P16	35.0	13.0	14.6	33/33	50
VG N 3/4"-K	83511854	black	3/4"	M25/P21	37.0	14.0	19.0	41/41	50
VG N 1"-K	83511856	black	1"	M32/P29	46.0	15.0	26.0	50/50	25
VG N 1 1/4"-K **	83511858	black	1 1/4"	M40/P36	53.0	18.0	33.5	60/60	25
VG N 2"-K	83511860	black	2"	M50/P48	60.0	18.0	41.2	75/75	10
VG N 3/8"-K	83511810	grey	3/8"	M16/P11	27.0	13.0	10.6	25/25	50
VG N 1/2"-K	83511812	grey	1/2"	M20/P16	35.0	13.0	14.6	33/33	50
VG N 3/4"-K	83511814	grey	3/4"	M25/P21	37.0	14.0	19.0	41/41	50
VG N 1"-K	83511816	grey	1"	M32/P29	46.0	15.0	26.0	50/50	25
VG N 1 1/4"-K **	83511818	grey	1 1/4"	M40/P36	53.0	18.0	33.5	60/60	25
VG N 2"-K	83511820	grey	2"	M50/P48	60.0	18.0	41.2	75/75	10

** CSA authorisation

IP68





Type VG (metal thread)



IP68



-40 to 110 °C
transient 140 °C



Mod. polyamide
Brass, nickel-plated



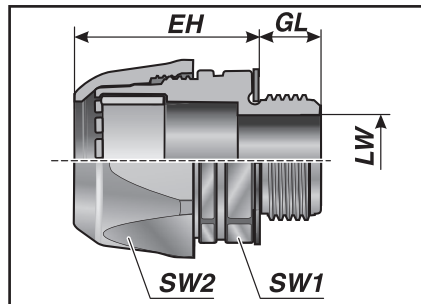
V0



IP 68 to 6 bar (IP 69K)

Straight conduit fitting with metal thread.

- Insert conduit → screw upper part tight → ready
- Reliable assembly because fitting is supplied pre-assembled.
No additional parts required
- Resistant to vibration due to lockable cap nut
- Clamping along entire circumference ensuring maximum tear-out strength
- High sealant properties corresponding to IP 68 to 6 bar (IP 69K) without additional parts
- Simple check that the conduit is assembled correctly



VG

Type	Order no.	Colour	Connecting thread	Suitable for Murrflex	EH mm	GL mm	LW mm	SW 1/2 mm	Pack qty.
Metric metal thread									
VG M12-M	83511252	black	M12x1.5	M12/P9	21.0	12.0	7.2	20/20	50
VG M16x1.5/09-M	83511253	black	M16x1.5	M12/P9	27.0	12.0	10.5	25/25	50
VG M16-M	83511254	black	M16x1.5	M16/P11	27.0	12.0	10.5	25/25	50
VG M20x1.5/11-M	83511255	black	M20x1.5	M16/P11	35.0	13.0	14.6	33/33	50
VG M20-M	83511256	black	M20x1.5	M20/P16	35.0	13.0	14.6	33/33	50
VG M25x1.5/16-M	83511257	black	M25x1.5	M20/P16	37.0	13.0	19.0	41/41	50
VG M25-M	83511258	black	M25x1.5	M25/P21	37.0	13.0	19.0	41/41	50
VG M32x1.5/21-M	83511259	black	M32x1.5	M25/P21	46.0	14.0	26.0	50/50	25
VG M32-M	83511260	black	M32x1.5	M32/P29	46.0	14.0	26.0	50/50	25
VG M40x1.5/P29-M	83511261	black	M40x1.5	M32/P29	53.0	17.0	33.5	60/60	25
VG M40-M **	83511262	black	M40x1.5	M40/P36	53.0	17.0	33.5	60/60	25
VG M50x1.5/36-M	83511263	black	M50x1.5	M40/P36	60.0	17.0	41.2	75/75	10
VG M50-M	83511264	black	M50x1.5	M50/P48	60.0	17.0	41.2	75/75	10
VG M63-M	83511266	black	M63x1.5	M50/P48	76.0	17.0	50.3	75/75	10
VG M12-M	83511212	grey	M12x1.5	M12/P9	21.0	12.0	7.2	20/20	50
VG M16-M	83511214	grey	M16x1.5	M16/P11	27.0	12.0	10.5	25/25	50
VG M20-M	83511216	grey	M20x1.5	M20/P16	35.0	13.0	14.6	33/33	50
VG M25-M	83511218	grey	M25x1.5	M25/P21	37.0	13.0	19.0	41/41	50
VG M32-M	83511220	grey	M32x1.5	M32/P29	46.0	14.0	26.0	50/50	25
VG M40-M **	83511222	grey	M40x1.5	M40/P36	53.0	17.0	33.5	60/60	25
VG M50-M	83511224	grey	M50x1.5	M50/P48	60.0	17.0	41.2	75/75	10
VG M63-M	83511226	grey	M63x1.5	M50/P48	76.0	17.0	50.3	75/75	10



Type VG (metal thread)

RoHS
compliant

Type	Order no.	Colour	Connecting thread	Suitable for Murrflex	EH mm	GL mm	LW mm	SW 1/2 mm	Pack qty.
Pg metal thread									
VG P9-M	83511652	black	Pg 9	M12/P9	21.0	12.0	7.2	20/20	50
VG P11-M	83511654	black	Pg 11	M16/P11	27.0	12.0	10.5	25/25	50
VG P16-M	83511656	black	Pg 16	M20/P16	35.0	13.0	14.6	33/33	50
VG P21-M	83511658	black	Pg 21	M25/P21	37.0	13.0	19.0	41/41	50
VG P29-M	83511660	black	Pg 29	M32/P29	46.0	14.0	26.0	50/50	25
VG P36-M **	83511662	black	Pg 36	M40/P36	53.0	17.0	33.5	60/60	25
VG P48-M	83511664	black	Pg 48	M50/P48	60.0	17.0	41.2	75/75	10
grey									
VG P9-M	83511612	grey	Pg 9	M12/P9	21.0	12.0	7.2	20/20	50
VG P11-M	83511614	grey	Pg 11	M16/P11	27.0	12.0	10.5	25/25	50
VG P16-M	83511616	grey	Pg 16	M20/P16	35.0	13.0	14.6	33/33	50
VG P21-M	83511618	grey	Pg 21	M25/P21	37.0	13.0	19.0	41/41	50
VG P29-M	83511620	grey	Pg 29	M32/P29	46.0	14.0	26.0	50/50	25
VG P36-M **	83511622	grey	Pg 36	M40/P36	53.0	17.0	33.5	60/60	25
VG P48-M	83511624	grey	Pg 48	M50/P48	60.0	17.0	41.2	75/75	10
NPT metal thread									
VG N 3/8"-M	83512050	black	3/8"	M16/P11	27.0	12.0	10.5	25/25	50
VG N 1/2"-M	83512052	black	1/2"	M20/P16	35.0	13.0	14.6	33/33	50
VG N 3/4"-M	83512054	black	3/4"	M25/P21	37.0	13.0	19.0	41/41	50
VG N 1"-M	83512056	black	1"	M32/P29	46.0	14.0	26.0	50/50	25
VG N 1 1/4"-M **	83512058	black	1 1/4"	M40/P36	53.0	17.0	33.5	60/60	25
VG N 2"-M	83512060	black	2"	M50/P48	60.0	17.0	41.2	75/75	10
grey									
VG N 3/8"-M	83512010	grey	3/8"	M16/P11	27.0	12.0	10.5	25/25	50
VG N 1/2"-M	83512012	grey	1/2"	M20/P16	35.0	13.0	14.6	33/33	50
VG N 3/4"-M	83512014	grey	3/4"	M25/P21	37.0	13.0	19.0	41/41	50
VG N 1"-M	83512016	grey	1"	M32/P29	46.0	14.0	26.0	50/50	25
VG N 1 1/4"-M **	83512018	grey	1 1/4"	M40/P36	53.0	17.0	33.5	60/60	25
VG N 2"-M	83512020	grey	2"	M50/P48	60.0	17.0	41.2	75/75	10
** CSA authorisation									

IP68





Type IVG (metal internal thread)



IP68



-40 to 110 °C
transient 140 °C



Mod. polyamide
Brass, nickel-plated



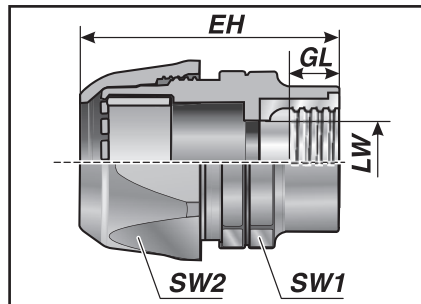
V0



IP 68 to 6 bar (IP 69K)

Straight conduit fitting with metal internal thread.

- Insert conduit → screw upper part tight → ready
- Reliable assembly because fitting is supplied pre-assembled.
No additional parts required
- Resistant to vibration due to lockable cap nut
- Clamping along entire circumference ensuring maximum tear-out strength
- High sealant properties corresponding to IP 68 to 6 bar (IP 69K) without additional parts
- Simple check that the conduit is assembled correctly







IVG

Type	Order no.	Colour	Connecting thread	Suitable for Murrflex	EH mm	GL mm	LW mm	SW 1/2 mm	Pack qty.
Metric metal internal thread									
IVG M12-M	83571052	black	M12x1.5	M12/P9	31.0	8.0	6.5	20/20	50
IVG M16-M	83571054	black	M16x1.5	M16/P11	37.0	8.0	10.0	25/25	50
IVG M20-M	83571056	black	M20x1.5	M20/P16	45.0	10.0	14.0	33/33	50
IVG M25-M	83571058	black	M25x1.5	M25/P21	47.0	10.0	18.3	41/41	50
IVG M32-M	83571060	black	M32x1.5	M32/P29	56.0	13.0	24.0	50/50	25
IVG M40-M **	83571062	black	M40x1.5	M40/P36	70.0	14.0	33.0	60/60	25
IVG M50-M	83571064	black	M50x1.5	M50/P48	80.0	15.0	44.0	75/75	10
** CSA authorisation									



Type CVG (conduit and cable fitting; plastic thread)

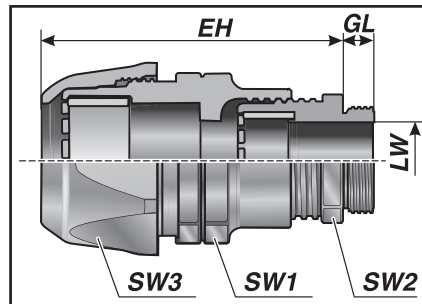
RoHS
compliant

-  -40 to 110 °C
transient 140 °C
-  Mod. polyamide
-  V0
-  IP 68 to 6 bar (IP 69K)
with additional O-ring, type OR-NBR

Combined conduit and cable fitting, straight, with plastic thread.

- Insert conduit → screw upper part tight → ready
- Reliable assembly because fitting is supplied pre-assembled.
No additional parts required
- Resistant to vibration due to lockable cap nut
- Clamping along entire circumference ensuring maximum tear-out strength
- High sealant properties corresponding to IP 68 to 6 bar (IP 69K) without additional parts
- Simple check that the conduit is assembled correctly

IP68



CVG

Type	Order no.	Colour	Connecting thread	Suitable for Murrflex	EH mm	GL mm	LW mm	SW 1/2/3 mm	Pack qty.
Metric plastic thread									
CVG M12-K	83531050	black	M12x1.5	M12/P9	39.0	8.0	3.0–6.5	20/15/20	50
CVG M16-K	83531052	black	M16x1.5	M16/P11	45.0	8.0	4.0–8.0	25/22/25	50
CVG M20-K	83531056	black	M20x1.5	M20/P16	55.0	9.0	6.0–12.0	33/24/33	50
CVG M25-K	83531058	black	M25x1.5	M25/P21	57.0	11.0	13.0–18.0	40/33/42	50
CVG M32-K	83531060	black	M32x1.5	M32/P29	69.0	11.0	18.0–25.0	50/42/50	25
CVG M40-K **	83531062	black	M40x1.5	M40/P36	84.0	13.0	22.0–32.0	60/53/60	25
CVG M63-K	83531064	black	M63x1.5	M50/P48	94.0	14.0	37.0–44.0	73/68/75	10

** CSA authorisation









Type CVG EMV (conduit and cable fitting; metal thread)

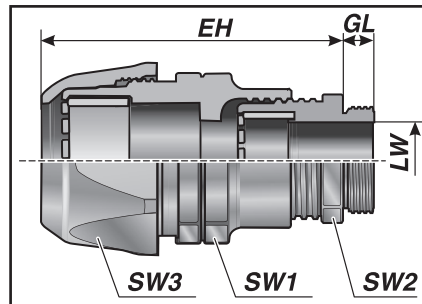


IP68

-  -40 to 110 °C
transient 140 °C
-  Mod. polyamide
Brass, nickel-plated
-  V0
-  IP 68 to 6 bar (IP 69K)

Combined conduit and cable fitting, straight, with metal thread.

- Insert conduit → screw upper part tight → ready
- Reliable assembly because fitting is supplied pre-assembled.
No additional parts required
- Resistant to vibration due to lockable cap nut
- Clamping along entire circumference ensuring maximum tear-out strength
- High sealant properties corresponding to IP 68 to 6 bar (IP 69K) without additional parts
- Simple check that the conduit is assembled correctly



CVG EMV

Type	Order no.	Colour	Connecting thread	Suitable for Murrflex	EH mm	GL mm	LW mm	SW 1/2/3 mm	Pack qty.
Metric metal thread / EMC version									
CVG M12 EMV	83551050	black	M12x1.5	M12/P9	39.0	6.5	3.0–6.5	20/14/20	50
CVG M16 EMV	83551052	black	M16x1.5	M16/P11	45.0	6.0	5.0–10.0	25/20/25	50
CVG M20 EMV	83551056	black	M20x1.5	M20/P16	55.0	6.0	10.0–14.0	33/24/33	50
CVG M25 EMV	83551058	black	M25x1.5	M25/P21	57.0	7.0	13.0–18.0	40/30/41	50
CVG M32 EMV	83551060	black	M32x1.5	M32/P29	69.0	8.0	18.0–25.0	50/40/50	25
CVG M40 EMV **	83551062	black	M40x1.5	M40/P36	84.0	8.0	22.0–32.0	60/50/60	25
CVG M63 EMV	83551064	black	M63x1.5	M50/P48	94.0	10.0	37.0–44.0	75/68/75	10
Metric metal thread / EMC version with extended thread									
CVG/L M12 EMV	83551650	black	M12x1.5	M12/P9	39.0	10.0	3.0–6.5	20/14/20	50
CVG/L M16 EMV	83551652	black	M16x1.5	M16/P11	45.0	10.0	5.0–10.0	25/20/25	50
CVG/L M20 EMV	83551656	black	M20x1.5	M20/P16	55.0	10.0	10.0–14.0	33/24/33	50
CVG/L M25 EMV	83551658	black	M25x1.5	M25/P21	57.0	12.0	13.0–18.0	40/30/41	50
CVG/L M32 EMV	83551660	black	M32x1.5	M32/P29	69.0	12.0	18.0–25.0	50/40/50	25
CVG/L M40 EMV **	83551662	black	M40x1.5	M40/P36	84.0	15.0	22.0–32.0	60/50/60	25


** CSA authorisation



Type VW 45° (plastic thread)

RoHS
compliant

 -40 to 110 °C
transient 140 °C

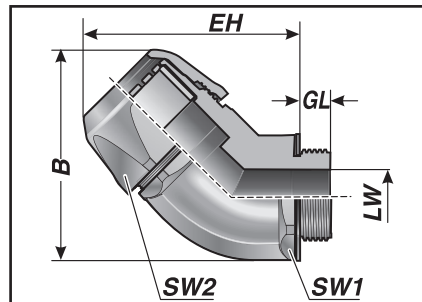
 Mod. polyamide

 V0

 IP 68 to 6 bar (IP 69K)

Angled conduit fitting with plastic thread.

- Insert conduit → screw upper part tight → ready
- Reliable assembly because fitting is supplied pre-assembled.
No additional parts required
- Resistant to vibration due to lockable cap nut
- Clamping along entire circumference ensuring maximum tear-out strength
- High sealant properties corresponding to IP 68 to 6 bar (IP 69K) without additional parts
- Simple check that the conduit is assembled correctly



VW 45°

Type	Order no.	Colour	Connecting thread	Suitable for Murrflex	EH mm	GL mm	LW mm	B mm	SW 1/2 mm	Pack qty.
Metric plastic thread										
VW 45 M12-K	83513052	black	M12x1.5	M12/P9	38.0	12.0	7.2	36.0	21/21	50
VW 45 M16-K	83513054	black	M16x1.5	M16/P11	45.0	12.0	10.5	43.0	27/27	50
VW 45 M20-K	83513056	black	M20x1.5	M20/P16	56.0	13.0	14.6	52.0	34/34	50
VW 45 M25-K	83513058	black	M25x1.5	M25/P21	65.0	13.0	18.7	65.0	41/41	25
VW 45 M32-K	83513060	black	M32x1.5	M32/P29	77.0	14.0	25.5	79.0	50/50	25
VW 45 M40-K **	83513062	black	M40x1.5	M40/P36	90.0	17.0	33.0	95.0	60/60	25
VW 45 M50-K	83513064	black	M50x1.5	M50/P48	105.0	17.0	42.0	115.0	75/75	10
Pg plastic thread										
VW 45 P9-K	83513452	black	Pg 9	M12/P9	38.0	12.0	7.2	36.0	21/21	50
VW 45 P11-K	83513454	black	Pg 11	M16/P11	45.0	12.0	10.5	43.0	27/27	50
VW 45 P16-K	83513456	black	Pg 16	M20/P16	56.0	13.0	14.6	52.0	34/34	50
VW 45 P21-K	83513458	black	Pg 21	M25/P21	65.0	13.0	18.7	65.0	41/41	25
VW 45 P29-K	83513460	black	Pg 29	M32/P29	77.0	14.0	25.5	79.0	50/50	25
VW 45 P36-K **	83513462	black	Pg 36	M40/P36	90.0	17.0	33.0	95.0	60/60	25
VW 45 P48-K	83513464	black	Pg 48	M50/P48	105.0	17.0	42.0	115.0	75/75	10

IP68





Type VW 45° (plastic thread)

RoHS
compliant





IP68

Type	Order no.	Colour	Connecting thread	Suitable for Murrflex	EH mm	GL mm	LW mm	B mm	SW 1/2 mm	Pack qty.
VW 45 P9-K	83513412	grey	Pg 9	M12/P9	38.0	12.0	7.2	36.0	21/21	50
VW 45 P11-K	83513414	grey	Pg 11	M16/P11	45.0	12.0	10.5	43.0	27/27	50
VW 45 P16-K	83513416	grey	Pg 16	M20/P16	56.0	13.0	14.6	52.0	34/34	50
VW 45 P21-K	83513418	grey	Pg 21	M25/P21	65.0	13.0	18.7	65.0	41/41	25
VW 45 P29-K	83513420	grey	Pg 29	M32/P29	77.0	14.0	25.5	79.0	50/50	25
VW 45 P36-K **	83513422	grey	Pg 36	M40/P36	90.0	17.0	33.0	95.0	60/60	25
VW 45 P48-K	83513424	grey	Pg 48	M50/P48	105.0	17.0	42.0	115.0	75/75	10
NPT plastic thread										
VW 45 NPT 3/8"-K	83513850	black	3/8"	M16/P11	45.0	12.0	10.5	43.0	25/25	50
VW 45 NPT 1/2"-K	83513852	black	1/2"	M20/P16	56.0	13.0	14.6	52.0	33/33	50
VW 45 NPT 3/4"-K	83513854	black	3/4"	M25/P21	65.0	13.0	18.7	65.0	41/41	25
VW 45 NPT 1"-K	83513856	black	1"	M32/P29	77.0	14.0	26.0	79.0	50/50	25
VW 45 NPT 1 1/4"-K **	83513858	black	1 1/4"	M40/P36	90.0	17.0	33.0	95.0	60/60	25
VW 45 NPT 2"-K	83513860	black	2"	M50/P48	105.0	17.0	42.0	115.0	75/75	10
VW 45 NPT 3/8"-K	83513810	grey	3/8"	M16/P11	45.0	12.0	10.5	43.0	25/25	50
VW 45 NPT 1/2"-K	83513812	grey	1/2"	M20/P16	56.0	13.0	14.6	52.0	33/33	50
VW 45 NPT 3/4"-K	83513814	grey	3/4"	M25/P21	65.0	13.0	18.7	65.0	41/41	25
VW 45 NPT 1"-K	83513816	grey	1"	M32/P29	77.0	14.0	25.5	79.0	50/50	25
VW 45 NPT 1 1/4"-K **	83513818	grey	1 1/4"	M40/P36	90.0	17.0	33.0	95.0	60/60	25
VW 45 NPT 2"-K	83513820	grey	2"	M50/P48	105.0	17.0	42.0	115.0	75/75	10
** CSA authorisation										



Type VW 45° (metal thread)

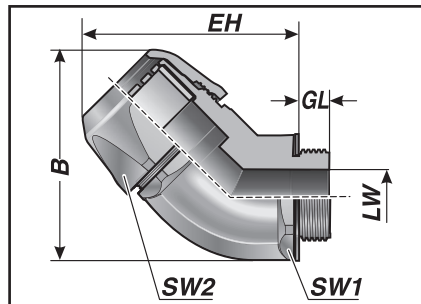
RoHS
compliant

-  -40 to 110 °C
transient 140 °C
-  Mod. polyamide
Brass, nickel-plated
-  V0
-  IP 68 to 6 bar (IP 69K)

Angled conduit fitting with metal thread.

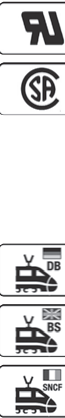
- Insert conduit → screw upper part tight → ready
- Reliable assembly because fitting is supplied pre-assembled.
No additional parts required
- Resistant to vibration due to lockable cap nut
- Clamping along entire circumference ensuring maximum tear-out strength
- High sealant properties corresponding to IP 68 to 6 bar (IP 69K) without additional parts
- Simple check that the conduit is assembled correctly

IP68



VW 45°

Type	Order no.	Colour	Connecting thread	Suitable for Murrflex	EH mm	GL mm	LW mm	B mm	SW 1/2 mm	Pack qty.
Metric metal thread										
VW 45 M12-M	83513252	black	M12x1.5	M12/P9	38.0	12.0	7.20	36.0	21/21	50
VW 45 M16-M	83513254	black	M16x1.5	M16/P11	45.0	12.0	10.5	43.0	27/27	50
VW 45 M20-M	83513256	black	M20x1.5	M20/P16	56.0	13.0	14.6	52.0	34/34	50
VW 45 M25-M	83513258	black	M25x1.5	M25/P21	65.0	13.0	18.7	65.0	41/41	25
VW 45 M32-M	83513260	black	M32x1.5	M32/P29	77.0	14.0	25.5	79.0	50/50	25
VW 45 M40-M **	83513262	black	M40x1.5	M40/P36	90.0	17.0	33.0	95.0	60/60	25
VW 45 M50-M	83513264	black	M50x1.5	M50/P48	105.0	17.0	42.0	115.0	75/75	10
Pg metal thread										
VW 45 P9-M	83513652	black	Pg 9	M12/P9	38.0	12.0	7.2	36.0	21/21	50
VW 45 P11-M	83513654	black	Pg 11	M16/P11	45.0	12.0	10.5	43.0	27/27	50
VW 45 P16-M	83513656	black	Pg 16	M20/P16	56.0	13.0	14.7	52.0	34/34	50
VW 45 P21-M	83513658	black	Pg 21	M25/P21	65.0	13.0	18.7	65.0	41/41	25
VW 45 P29-M	83513660	black	Pg 29	M32/P29	77.0	14.0	25.5	79.0	50/50	25
VW 45 P36-M **	83513662	black	Pg 36	M40/P36	90.0	17.0	33.0	95.0	60/60	25
VW 45 P48-M	83513664	black	Pg 48	M50/P48	105.0	17.0	42.0	115.0	75/75	10





Type VW 45° (metal thread)

RoHS
compliant

IP68

Type	Order no.	Colour	Connecting thread	Suitable for Murrflex	EH mm	GL mm	LW mm	B mm	SW 1/2 mm	Pack qty.
VW 45 P9-M	83513612	grey	Pg 9	M12/P9	38.0	12.0	7.2	36.0	21/21	50
VW 45 P11-M	83513614	grey	Pg 11	M16/P11	45.0	12.0	10.5	43.0	27/27	50
VW 45 P16-M	83513616	grey	Pg 16	M20/P16	56.0	13.0	14.7	52.0	34/34	50
VW 45 P21-M	83513618	grey	Pg 21	M25/P21	65.0	13.0	18.7	65.0	41/41	25
VW 45 P29-M	83513620	grey	Pg 29	M32/P29	77.0	14.0	25.5	79.0	50/50	25
VW 45 P36-M **	83513622	grey	Pg 36	M40/P36	90.0	17.0	33.0	95.0	60/60	25
VW 45 P48-M	83513624	grey	Pg 48	M50/P48	105.0	17.0	42.0	115.0	75/75	10
NPT metal thread										
VW 45 NPT 3/8"-M	83514050	black	3/8"	M16/P11	45.0	12.0	10.5	43.0	24/24	50
VW 45 NPT 1/2"-M	83514052	black	1/2"	M20/P16	56.0	13.0	14.6	52.0	33/33	50
VW 45 NPT 3/4"-M	83514054	black	3/4"	M25/P21	65.0	13.0	18.7	65.0	41/41	25
VW 45 NPT 1"-M	83514056	black	1"	M32/P29	77.0	14.0	25.5	79.0	50/50	25
VW 45 NPT 1 1/4"-M **	83514058	black	1 1/4"	M40/P36	90.0	17.0	33.0	95.0	60/60	25
VW 45 NPT 2"-M	83514060	black	2"	M50/P48	105.0	17.0	42.0	115.0	75/75	10
VW 45 NPT 3/8"-M	83514010	grey	3/8"	M16/P11	45.0	12.0	10.5	43.0	24/24	50
VW 45 NPT 1/2"-M	83514012	grey	1/2"	M20/P16	56.0	13.0	14.6	52.0	33/33	50
VW 45 NPT 3/4"-M	83514014	grey	3/4"	M25/P21	65.0	13.0	18.7	65.0	41/41	25
VW 45 NPT 1"-M	83514016	grey	1"	M32/P29	77.0	14.0	25.5	79.0	50/50	25
VW 45 NPT 1 1/4"-M **	83514018	grey	1 1/4"	M40/P36	90.0	17.0	33.0	95.0	60/60	25
VW 45 NPT 2"-M	83514020	grey	2"	M50/P48	105.0	17.0	42.0	115.0	75/75	10
** CSA authorisation										



Type CVW 45° (conduit and cable fitting; plastic thread)

RoHS compliant



-40 to 110 °C
transient 140 °C



Mod. polyamide



V0

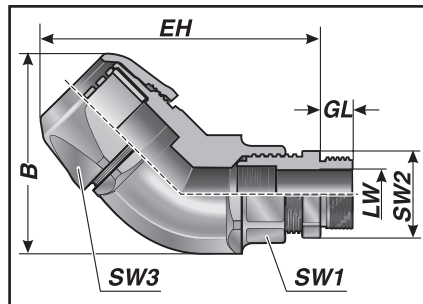


IP 68 to 6 bar (IP 69K)
with additional O-ring, type OR-NBR

Angled conduit and cable fitting with plastic thread.

- Insert conduit → screw upper part tight → ready
- Reliable assembly because fitting is supplied pre-assembled.
No additional parts required
- Resistant to vibration due to lockable cap nut
- Clamping along entire circumference ensuring maximum tear-out strength
- High sealant properties corresponding to IP 68 to 6 bar (IP 69K) without additional parts
- Simple check that the conduit is assembled correctly

IP68



CVW 45°

Type	Order no.	Colour	Connecting thread	Suitable for Murrflex	EH mm	GL mm	LW mm	B mm	SW 1/2/3 mm	Pack qty.
Metric plastic thread										
CVW 45 M12-K	83531250	black	M12x1.5	M12/P9	55.0	8.0	3.0-6.5	36.0	20/15/20	50
CVW 45 M16-K	83531252	black	M16x1.5	M16/P11	63.0	8.0	4.0-8.0	43.0	24/22/24	50
CVW 45 M20-K	83531256	black	M20x1.5	M20/P16	77.0	9.0	6.0-12.0	52.0	33/24/33	50
CVW 45 M25-K	83531258	black	M25x1.5	M25/P21	87.0	11.0	13.0-18.0	65.0	41/33/41	25
CVW 45 M32-K	83531260	black	M32x1.5	M32/P29	102.0	11.0	18.0-25.0	79.0	50/42/50	25
CVW 45 M40-K **	83531262	black	M40x1.5	M40/P36	123.0	13.0	22.0-32.0	95.0	60/53/60	25
CVW 45 M63-K	83531264	black	M63x1.5	M50/P48	138.0	14.0	37.0-44.0	115.0	75/68/75	10
** CSA authorisation										





Type CVW 45° EMV (conduit and cable fitting; metal thread)



IP68



-40 to 110 °C
transient 140 °C



Mod. polyamide
Brass, nickel-plated



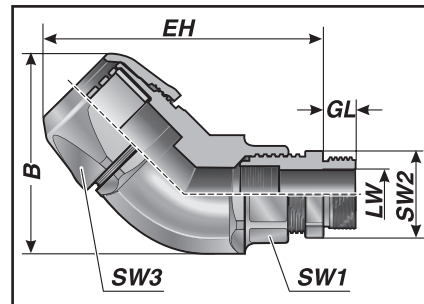
V0



IP 68 to 6 bar (IP 69K)

Angled conduit and cable fitting with metal thread.

- Insert conduit → screw upper part tight → ready
- Reliable assembly because fitting is supplied pre-assembled.
No additional parts required
- Resistant to vibration due to lockable cap nut
- Clamping along entire circumference ensuring maximum tear-out strength
- High sealant properties corresponding to IP 68 to 6 bar (IP 69K) without additional parts
- Simple check that the conduit is assembled correctly



CVW 45° EMV

Type	Order no.	Colour	Connecting thread	Suitable for Murrflex	EH mm	GL mm	LW mm	B mm	SW 1/2/3 mm	Pack qty.
Metric metal thread / EMC version										
CVW 45 M12 EMV	83551250	black	M12x1.5	M12/P9	55.0	6.5	3.0–6.5	36.0	20/14/20	50
CVW 45 M16 EMV	83551252	black	M16x1.5	M16/P11	63.0	6.0	5.0–10.0	36.0	27/20/25	50
CVW 45 M20 EMV	83551256	black	M20x1.5	M20/P16	77.0	6.0	10.0–14.0	43.0	34/24/33	50
CVW 45 M25 EMV	83551258	black	M25x1.5	M25/P21	87.0	7.0	13.0–18.0	43.0	41/30/41	25
CVW 45 M32 EMV	83551260	black	M32x1.5	M32/P29	102.0	8.0	18.0–25.0	52.0	50/40/50	25
CVW 45 M40 EMV **	83551262	black	M40x1.5	M40/P36	123.0	8.0	22.0–32.0	52.0	60/50/60	25
CVW 45 M63 EMV	83551264	black	M63x1.5	M50/P48	138.0	10.0	37.0–44.0	118.0	75/68/75	10
** CSA authorisation										



Type DVW 45° (360° rotatable conduit fitting; metal thread)

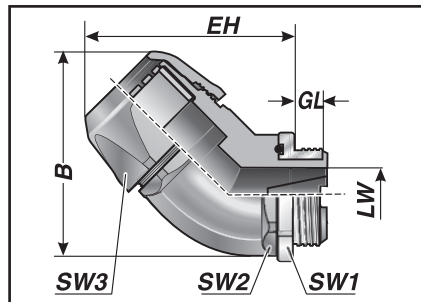
RoHS
compliant

- 40 to 110 °C
transient 140 °C
- Mod. polyamide
Brass, nickel-plated
- V0
- IP 68 to 6 bar (IP 69K)

Rotatable, angled conduit fitting with metal thread. Following installation, the fitting can be turned into a desired position.

- Insert conduit → screw upper part tight → ready
- Reliable assembly because fitting is supplied pre-assembled.
No additional parts required
- Resistant to vibration due to lockable cap nut
- Clamping along entire circumference ensuring maximum tear-out strength
- High sealant properties corresponding to IP 68 to 6 bar (IP 69K) without additional parts
- Simple check that the conduit is assembled correctly

IP68



DVW 45°

Type	Order no.	Colour	Connecting thread	Suitable for Murrflex	EH mm	GL mm	LW mm	B mm	SW 1/2/3 mm	Pack qty.
Metric metal thread										
DVW 45 M16/P9-M	83493252	black	M16x1.5	M12/Pg09	41.0	11.2	7.2	36.4	21/21/27	50
DVW 45 M20/P11-M	83493254	black	M20x1.5	M16/Pg11	49.1	11.2	10.5	44.6	27/27/27	50
DVW 45 M25/P16-M	83493256	black	M25x1.5	M20/Pg16	59.1	12.2	14.7	55.4	34/34/34	25
DVW 45 M32/P21-M	83493258	black	M32x1.5	M25/Pg21	68.2	12.2	18.7	67.1	41/41/41	25
DVW 45 M40/P29-M	83493260	black	M40x1.5	M32/Pg29	80.3	13.2	25.5	79.2	50/50/50	25
DVW 45 M50/P36-M **	83493262	black	M50x1.5	M40/Pg36	92.1	17.2	33.0	93.7	60/60/60	10
DVW 45 M63/P48-M	83493264	black	M63x1.5	M50/Pg48	107.7	17.5	41.2	114.2	75/75/75	10

** CSA authorisation

-
-
-
-
-



Type VW 90° (plastic thread)

RoHS compliant

IP68

-40 to 110 °C
transient 140 °C

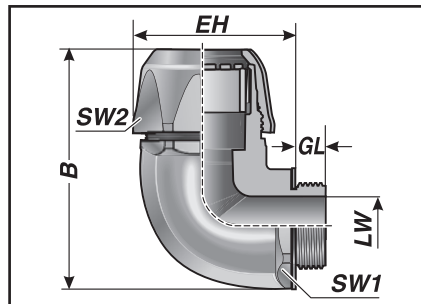
Mod. polyamide

V0

IP 68 to 6 bar (IP 69K)

Angled conduit fitting with plastic thread.

- Insert conduit → screw upper part tight → ready
- Reliable assembly because fitting is supplied pre-assembled.
No additional parts required
- Resistant to vibration due to lockable cap nut
- Clamping along entire circumference ensuring maximum tear-out strength
- Inner bend without edges. This makes insertion of the cable easier.
- High sealant properties corresponding to IP 68 to 6 bar (IP 69K) without additional parts
- Simple check that the conduit is assembled correctly



VW 90°

Type	Order no.	Colour	Connecting thread	Suitable for Murrflex	EH mm	GL mm	LW mm	B mm	SW 1/2 mm	Pack qty.
Metric plastic thread										
VW 90 M12-K	83515052	black	M12x1.5	M12/P9	29.0	12.0	7.2	45.0	21/21	50
VW 90 M16-K	83515054	black	M16x1.5	M16/P11	35.0	12.0	10.5	55.0	27/27	50
VW 90 M20-K	83515056	black	M20x1.5	M20/P16	45.0	13.0	14.7	67.0	34/34	50
VW 90 M25-K	83515058	black	M25x1.5	M25/P21	55.0	13.0	18.7	78.0	41/41	25
VW 90 M32-K	83515060	black	M32x1.5	M32/P29	65.0	15.0	25.5	92.0	50/50	25
VW 90 M40-K **	83515062	black	M40x1.5	M40/P36	75.0	17.0	33.0	109.0	60/60	25
VW 90 M50-K	83515064	black	M50x1.5	M50/P48	93.0	17.0	42.0	134.0	75/75	10
Pg plastic thread										
VW 90 P9-K	83515452	black	Pg 9	M12/P9	29.0	12.0	7.2	45.0	21/21	50
VW 90 P11-K	83515454	black	Pg 11	M16/P11	35.0	12.0	10.5	55.0	27/27	50
VW 90 P16-K	83515456	black	Pg 16	M20/P16	45.0	13.0	14.7	67.0	34/34	50
VW 90 P21-K	83515458	black	Pg 21	M25/P21	44.0	13.0	18.7	78.0	41/41	25
VW 90 P29-K	83515460	black	Pg 29	M32/P29	65.0	14.0	25.5	92.0	50/50	25
VW 90 P36-K **	83515462	black	Pg 36	M40/P36	75.0	17.0	33.0	109.0	60/60	25
VW 90 P48-K	83515464	black	Pg 48	M50/P48	93.0	17.0	42.0	134.0	75/75	10



Type VW 90° (plastic thread)

RoHS
compliant

Type	Order no.	Colour	Connecting thread	Suitable for Murrflex	EH mm	GL mm	LW mm	B mm	SW 1/2 mm	Pack qty.
VW 90 P9-K	83515412	grey	Pg 9	M12/P9	29.0	12.0	7.2	45.0	21/21	50
VW 90 P11-K	83515414	grey	Pg 11	M16/P11	35.0	12.0	10.5	55.0	27/27	50
VW 90 P16-K	83515416	grey	Pg 16	M20/P16	45.0	13.0	14.7	67.0	34/34	50
VW 90 P21-K	83515418	grey	Pg 21	M25/P21	44.0	13.0	18.7	78.0	41/41	25
VW 90 P29-K	83515420	grey	Pg 29	M32/P29	65.0	14.0	25.5	92.0	50/50	25
VW 90 P36-K **	83515422	grey	Pg 36	M40/P36	75.0	17.0	33.0	109.0	60/60	25
VW 90 P48-K	83515424	grey	Pg 48	M50/P48	93.0	17.0	42.0	134.0	60/60	10
NPT plastic thread										
VW 90 N 3/8"-K	83515850	black	3/8"	M16/P11	35.0	12.0	10.5	55.0	25/25	50
VW 90 N 1/2"-K	83515852	black	1/2"	M20/P16	45.0	13.0	14.6	67.0	34/34	50
VW 90 N 3/4"-K	83515854	black	3/4"	M25/P21	55.0	14.0	18.7	78.0	41/41	25
VW 90 N 1"-K	83515856	black	1"	M32/P29	65.0	14.0	25.6	92.0	50/50	25
VW 90 N 1 1/4"-K **	83515858	black	1 1/4"	M40/P36	75.0	18.0	33.0	109.0	60/60	25
VW 90 N 2"-K	83515860	black	2"	M50/P48	93.0	18.0	42.0	134.0	75/75	10
VW 90 N 3/8"-K	83515810	grey	3/8"	M16/P11	35.0	12.0	10.5	55.0	25/25	50
VW 90 N 1/2"-K	83515812	grey	1/2"	M20/P16	45.0	13.0	14.6	67.0	34/34	50
VW 90 N 3/4"-K	83515814	grey	3/4"	M25/P21	55.0	14.0	18.7	78.0	41/41	25
VW 90 N 1"-K	83515816	grey	1"	M32/P29	65.0	14.0	25.6	92.0	50/50	25
VW 90 N 1 1/4"-K **	83515818	grey	1 1/4"	M40/P36	75.0	18.0	33.0	109.0	60/60	25
VW 90 N 2"-K	83515820	grey	2"	M50/P48	93.0	18.0	42.0	134.0	75/75	10
** CSA authorisation										

IP68





Type VW 90° (metal thread)



IP68



-40 to 110 °C
transient 140 °C



Mod. polyamide
Brass, nickel-plated



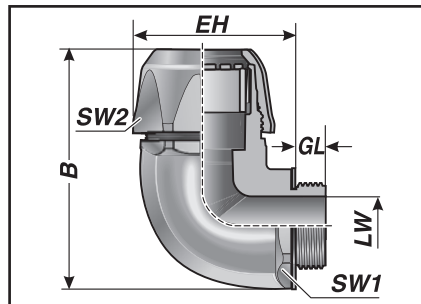
V0



IP 68 to 6 bar (IP 69K)

Angled conduit fitting with metal thread.

- Insert conduit → screw upper part tight → ready
- Reliable assembly because fitting is supplied pre-assembled.
No additional parts required
- Resistant to vibration due to lockable cap nut
- Clamping along entire circumference ensuring maximum tear-out strength
- Inner bend without edges. This makes insertion of the cable easier.
- High sealant properties corresponding to IP 68 to 6 bar (IP 69K) without additional parts
- Simple check that the conduit is assembled correctly



VW 90°

Type	Order no.	Colour	Connecting thread	Suitable for Murrflex	EH mm	GL mm	LW mm	B mm	SW 1/2 mm	Pack qty.
Metric metal thread										
VW 90 M12-M	83515252	black	M12x1.5	M12/P9	29.0	12.0	7.2	45.0	21/21	50
VW 90 M16-M	83515254	black	M16x1.5	M16/P11	35.0	12.0	10.5	55.0	27/27	50
VW 90 M20-M	83515256	black	M20x1.5	M20/P16	45.0	13.0	14.7	67.0	34/34	50
VW 90 M25-M	83515258	black	M25x1.5	M25/P21	55.0	13.0	18.7	78.0	41/41	25
VW 90 M32-M	83515260	black	M32x1.5	M32/P29	65.0	14.0	25.5	92.0	50/50	25
VW 90 M40-M **	83515262	black	M40x1.5	M40/P36	75.0	17.0	33.0	109.0	60/60	25
VW 90 M50-M	83515264	black	M50x1.5	M50/P48	93.0	17.0	42.0	134.0	75/75	10
Pg metal thread										
VW 90 P9-M	83515652	black	Pg 9	M12/P9	29.0	12.0	7.2	45.0	21/21	50
VW 90 P11-M	83515654	black	Pg 11	M16/P11	35.0	12.0	10.5	55.0	27/27	50
VW 90 P16-M	83515656	black	Pg 16	M20/P16	45.0	13.0	14.7	67.0	34/34	50
VW 90 P21-M	83515658	black	Pg 21	M25/P21	55.0	14.0	18.7	78.0	41/41	25
VW 90 P29-M	83515660	black	Pg 29	M32/P29	65.0	14.0	25.5	92.0	50/50	25
VW 90 P36-M **	83515662	black	Pg 36	M40/P36	75.0	17.0	33.0	109.0	60/60	25
VW 90 P48-M	83515664	black	Pg 48	M50/P48	93.0	17.0	42.0	134.0	75/75	10





Type CVW 90° (conduit and cable fitting; plastic thread)



IP68



-40 to 110 °C
transient 140 °C



Mod. polyamide



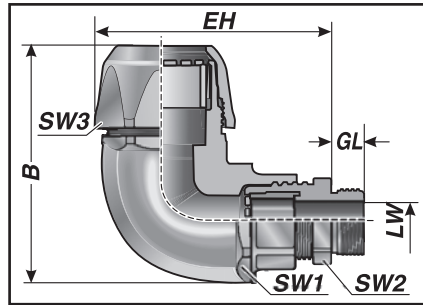
v0



IP 68 to 6 bar (IP 69K)
with additional O-ring, type OR-NBR

Angled conduit and cable fitting with plastic thread.

- Insert conduit → screw upper part tight → ready
- Reliable assembly because fitting is supplied pre-assembled.
No additional parts required
- Resistant to vibration due to lockable cap nut
- Clamping along entire circumference ensuring maximum tear-out strength
- Inner bend without edges. This makes insertion of the cable easier.
- High sealant properties corresponding to IP 68 to 6 bar (IP 69K) without additional parts
- Simple check that the conduit is assembled correctly







CVW 90°

Type	Order no.	Colour	Connecting thread	Suitable for Murrflex	EH mm	GL mm	LW mm	B mm	SW 1/2/3 mm	Pack qty.
Metric plastic thread										
CVW 90 M12	83531450	black	M12x1.5	M12/P9	45.0	8.0	3.0–6.5	44.0	21/15/20	50
CVW 90 M16	83531452	black	M16x1.5	M16/P11	55.0	8.0	4.0–8.0	54.0	27/22/25	50
CVW 90 M20	83531456	black	M20x1.5	M20/P16	67.0	9.0	6.0–12.0	67.0	33/24/33	50
CVW 90 M25	83531458	black	M25x1.5	M25/P21	76.0	11.0	13.0–19.0	79.0	41/33/41	25
CVW 90 M32	83531460	black	M32x1.5	M32/P29	94.0	11.0	18.0–25.0	92.0	50/42/50	25
CVW 90 M40 **	83531462	black	M40x1.5	M40/P36	112.0	13.0	22.0–32.0	109.0	60/53/60	25
CVW 90 M63	83531464	black	M63x1.5	M50/P 48	128.0	14.0	37.0–44.0	136.0	75/68/75	25
** CSA authorisation										



Type CVW 90° EMV (conduit and cable fitting; metal thread)

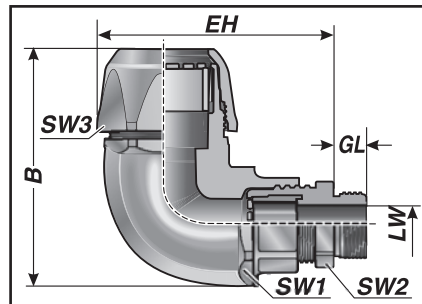
RoHS
compliant

-  -40 to 110 °C
transient 140 °C
-  Mod. polyamide
Brass, nickel-plated
-  V0
-  IP 68 to 6 bar (IP 69K)

Angled conduit and cable fitting in EMC version with metal thread.

- Insert conduit → screw upper part tight → ready
- Reliable assembly because fitting is supplied pre-assembled.
No additional parts required
- Resistant to vibration due to lockable cap nut
- Clamping along entire circumference ensuring maximum tear-out strength
- Inner bend without edges. This makes insertion of the cable easier.
- High sealant properties corresponding to IP 68 to 6 bar (IP 69K) without additional parts
- Simple check that the conduit is assembled correctly

IP68



CVW 90° EMV

Type	Order no.	Colour	Connecting thread	Suitable for Murrflex	EH mm	GL mm	LW mm	B mm	SW 1/2/3 mm	Pack qty.
Metric metal thread / EMC version										
CVW 90 M12 EMV	83551450	black	M12x1.5	M12/P9	46.0	6.5	3.0–6.5	45.0	21/14/20	50
CVW 90 M16 EMV	83551452	black	M16x1.5	M16/P11	54.0	6.0	5.0–10.0	54.0	27/20/25	50
CVW 90 M20 EMV	83551456	black	M20x1.5	M20/P16	67.0	6.0	10.0–14.0	67.0	34/24/33	50
CVW 90 M25 EMV	83551458	black	M25x1.5	M25/P21	74.0	7.0	13.0–18.0	79.0	41/30/41	25
CVW 90 M32 EMV	83551460	black	M32x1.5	M32/P29	88.0	8.0	18.0–25.0	92.0	50/40/50	25
CVW 90 M40 EMV **	83551462	black	M40x1.5	M40/P36	108.0	8.0	22.0–32.0	109.0	60/50/60	25
CVW 90 M63 EMV	83551464	black	M63x1.5	M50/P36	127.0	10.0	37.0–44.0	136.0	75/68/75	10

** CSA authorisation





Type DVW 90° (360° rotatable conduit fitting; metal thread)

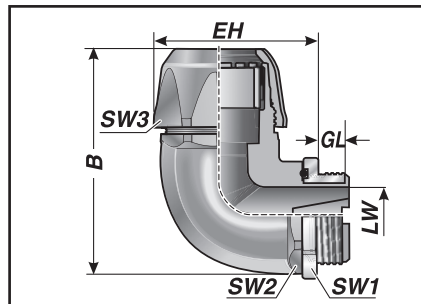


IP68

- 40 to 110 °C
transient 140 °C
- Mod. polyamide
Brass, nickel-plated
- V0
- IP 68 to 6 bar (IP 69K)

Rotatable, angled conduit fitting with metal thread. Following installation, the fitting can be turned into a desired position.

- Easy assembly = insert conduit → screw upper part tight → ready
- Reliable assembly because fitting is supplied pre-assembled.
No additional parts required
- Resistant to vibration due to lockable cap nut
- Clamping along entire circumference ensuring maximum tear-out strength
- Can be opened without tools
- High sealant properties corresponding to IP 68 to 6 bar (IP 69K) without additional parts
- Simple check that the conduit is assembled correctly



DVW 90°

Type	Order no.	Colour	Connecting thread	Suitable for Murrflex	EH mm	GL mm	LW mm	SW 1/2/3 mm	B mm	Pack qty.
Metric metal thread										
DVW 90 M16/P9-M	83495252	black	M16x1.5	M12/Pg09	31.8	11.2	7.2	21/21	45.8	50
DVW 90 M20/P11-M	83495254	black	M20x1.5	M16/Pg11	38.5	11.2	10.5	27/27	56.8	50
DVW 90 M25/P16-M	83495256	black	M25x1.5	M20/Pg16	48.0	12.2	14.6	34/27	68.6	25
DVW 90 M32/P21-M	83495258	black	M32x1.5	M25/Pg21	55.5	12.2	18.7	41/41	79.3	25
DVW 90 M40/P29-M	83495260	black	M40x1.5	M32/Pg29	67.5	13.2	25.5	50/50	93.6	25
DVW 90 M50/P36-M **	83495262	black	M50x1.5	M40/Pg36	75.7	15.2	33.0	60/60	109.9	10
DVW 90 M63/P48-M	83495264	black	M63x1.5	M50/Pg48	92.8	15.2	41.2	75/75	135.8	10
** CSA authorisation										



m-tec conduit fitting



Advantages



Universal

The m-tec family consists of conduit fittings manufactured from high-grade polyamide.

Thanks to their construction, the fitting provides a high protection class of IP 65. The fittings are completely pre-assembled and no parts such as lockable cap nuts and clamping rings have to be fitted retrospectively. This ensures the greatest possible process reliability in assembly.

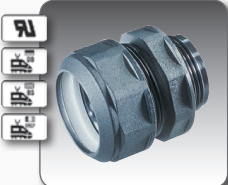
The cable protection conduit can be assembled quickly and easily by simply inserting the conduit and turning the cap nut.

As the inner bends have no sharp edges, the introduction of cables through 90° fittings does not present any problems.



- ✓ High protection class IP 65
- ✓ One-piece fitting
- ✓ Quick assembly
- ✓ High tear-out strength
- ✓ Inner contours rounded for 90° variants


m-tec series product range



Type EH (plastic thread)

Metric ISO thread (M)
PG thread (Pg)
National Pipe Taper (NPT)


Page 110



Type CSKV (conduit and cable fitting, plastic thread)

Metric ISO thread (M)
PG thread (Pg)
National Pipe Taper (NPT)


Page 113



Type ECSKV (conduit and cable fitting)

PG thread (Pg)

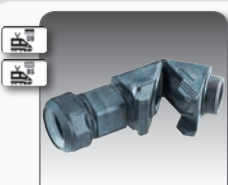
Page 117



Type KW 90° (plastic thread)

Metric ISO thread (M)
PG thread (Pg)
National Pipe Taper (NPT)

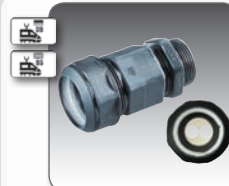
Page 119



Type CKW (conduit and cable fitting, plastic thread)

Metric ISO thread (M)
PG thread (Pg)


Page 121



Type MCSKV (conduit and cable fitting, plastic thread)

Metric ISO thread (M)
PG thread (Pg)
Multi-insert


Page 115



Type MECSKV (conduit and cable fitting)

PG thread (Pg)
multi-insert

Page 118



Type MCKW (conduit and cable fitting, plastic thread)

Metric ISO thread (M)
PG thread (Pg)
Multi-insert

Page 122

Combination options

	Conduit fittings up to conduit size M50 / Pg48							
	EH	CSKV	MCSKV	ECSKV	MECSKV	KW 90°	CKW	MCKW
EF	✗	✗	✗	✗	✗	✗	✗	✗
EW	✓	✓	✓	✓	✓	✓	✓	✓
EW-F	✓	✓	✓	✓	✓	✓	✓	✓
EWS	✓	✓	✓	✓	✓	✓	✓	✓
EWX	✓	✓	✓	✓	✓	✓	✓	✓
EW-G	⦿	⦿	⦿	⦿	⦿	⦿	⦿	⦿
EW-HY	✓	✓	✓	✓	✓	✓	✓	✓
EW-LS	✓	✓	✓	✓	✓	✓	✓	✓
EW-PA	✓	✓	✓	✓	✓	✓	✓	✓
EW-PA-LS	✓	✓	✓	✓	✓	✓	✓	✓
EW-PA-UL	✓	✓	✓	✓	✓	✓	✓	✓
EW-PA-EX	✓	✓	✓	✓	✓	✓	✓	✓
EW-PAB	✓	✓	✓	✓	✓	✓	✓	✓
EW-PAE	✓	✓	✓	✓	✓	✓	✓	✓
EW-PAL	✓	✓	✓	✓	✓	✓	✓	✓
EW-PAP	✗	✗	✗	✗	✗	✗	✗	✗
EW-PP	✓	✓	✓	✓	✓	✓	✓	✓
EW-PRF	✓	✓	✓	✓	✓	✓	✓	✓
EW-TEF	✓	✓	✓	✓	✓	✓	✓	✓
EWT-PA	✓	✓	✓	✓	✓	✓	✓	✓
EWT-PP	✓	✓	✓	✓	✓	✓	✓	✓
EWX-LS	✓	✓	✓	✓	✓	✓	✓	✓
EWX-PA	✓	✓	✓	✓	✓	✓	✓	✓
EWX-PA-LS	✓	✓	✓	✓	✓	✓	✓	✓
EWX-PA-UL	✓	✓	✓	✓	✓	✓	✓	✓
EWX-PAE	✓	✓	✓	✓	✓	✓	✓	✓
EWX-PAE-LS	✓	✓	✓	✓	✓	✓	✓	✓
GF	✗	✗	✗	✗	✗	✗	✗	✗

✓ combinable

✗ not combinable

⦿ combinable to an extent (remove sheathing)

Material data

	Material			Temperature area [°C]			Protection rating on corrugated conduit	Protection class on cable with combined conduit and cable fittings	Fire specifications UL94	UL File number E148958	Halogen-free	Phosphorous-free	Cadmium-free	Asbestos-free	Lead-free	Silicone-free	RoHS Compliant	
	Fitting	Moulded seal	Clamping ring	Min.	Max.	Short periods												
EH		Polyamide PA6		POM	-40	110	140	IP 65		V0	✓	✓	✓	✓	✓	✓	✓	✓
CSKV		Polyamide PA6	CR	POM	-40	110	140	IP 65	IP 68	V0	✓	✓	✓	✓	✓	✓	✓	✓
MCSKV		Polyamide PA6	CR	POM	-40	110	140	IP 65	IP 65	V0		✓	✓	✓	✓	✓	✓	✓
ECSKV		Polyamide PA6	CR	POM	-40	110	140	IP 65	IP 65	V0	✓	✓	✓	✓	✓	✓	✓	✓
MECSKV		Polyamide PA6	CR	POM	-40	110	140	IP 65	IP 65	V0		✓	✓	✓	✓	✓	✓	✓
KW 90°		Polyamide PA6		POM	-40	110	140	IP 65		V0	✓	✓	✓	✓	✓	✓	✓	✓
CKW		Polyamide PA6	CR	POM	-40	110	140	IP 65	IP 68	V0		✓	✓	✓	✓	✓	✓	✓
MCKW		Polyamide PA6	CR	POM	-40	110	140	IP 65	IP 68	V0		✓	✓	✓	✓	✓	✓	✓



Type EH

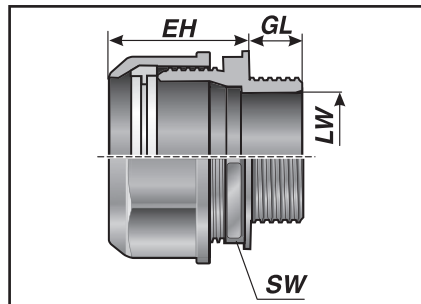


- 40 to 110 °C
transient 140 °C
- Mod. polyamide
POM
- V0
- IP 65

IP65

Straight conduit fitting with plastic thread.

- Reliable assembly because fitting is supplied pre-assembled.
No additional parts required
- Integrated clamping ring ensures high tear-out strength
- High protection class IP 65 without additional parts
- Can be opened without tools



EH

Type	Order no.	Colour	Connecting thread	Suitable for Murrflex	EH mm	GL mm	LW mm	SW mm	Pack qty.
Metric version									
EH-M12x1.5/9	83501452	black	M12x1.5	M12/P9	26.0	13.0	8.0	19	50
EH-M12x1.5/11	83501456	black	M12x1.5	M16/P11	26.0	13.0	8.0	22	50
EH-M16x1.5/9	83501454	black	M16x1.5	M12/P9	26.0	13.0	11.0	19	50
EH-M16x1.5/11	83501458	black	M16x1.5	M16/P11	26.0	13.0	11.0	22	50
EH-M20x1.5/13.5	83501459	black	M20x1.5	NW 13	26.0	14.0	15.0	27	50
EH-M20x1.5/16	83501460	black	M20x1.5	M20/P16(S)	26.0	14.0	15.0	27	50
EH-M25x1.5/21	83501462	black	M25x1.5	M25/P21(S)	33.0	10.0	21.0	37	50
EH-M32x1.5/29	83501464	black	M32x1.5	M32/P29(S)	33.0	10.0	27.0	45	25
EH-M40x1.5/36	83501466	black	M40x1.5	M40/P36(S)	44.0	15.0	35.0	55	25
EH-M50x1.5/48	83501468	black	M50x1.5	M50/P48(S)	50.0	17.0	44.0	65	10
EH-M63x1.5/48	83501470	black	M63x1.5	M50/P48(S)	50.0	15.0	50.0	65	10
EH-M12x1.5/9	83501412	grey	M12x1.5	M12/P9	26.0	13.0	8.0	19	50
EH-M12x1.5/11	83501416	grey	M12x1.5	M16/P11	26.0	13.0	8.0	22	50
EH-M16x1.5/9	83501414	grey	M16x1.5	M12/P9	26.0	13.0	11.0	19	50
EH-M16x1.5/11	83501418	grey	M16x1.5	M16/P11	26.0	13.0	11.0	22	50
EH-M20x1.5/13.5	83501419	grey	M20x1.5	NW 13	26.0	14.0	15.0	27	50
EH-M20x1.5/16	83501420	grey	M20x1.5	M20/P16(S)	26.0	14.0	15.0	27	50
EH-M25x1.5/21	83501422	grey	M25x1.5	M25/P21(S)	33.0	10.0	21.0	37	50
EH-M32x1.5/29	83501424	grey	M32x1.5	M32/P29(S)	33.0	10.0	27.0	45	25
EH-M40x1.5/36	83501426	grey	M40x1.5	M40/P36(S)	44.0	15.0	35.0	55	25
EH-M50x1.5/48	83501428	grey	M50x1.5	M50/P48(S)	50.0	17.0	44.0	65	10
EH-M63x1.5/48	83501430	grey	M63x1.5	M50/P48(S)	50.0	15.0	50.0	65	10



Type EH

RoHS
compliant





Type	Order no.	Colour	Connecting thread	Suitable for Murrflex	EH mm	GL mm	LW mm	SW mm	Pack qty.
Pg version									
EH-Pg 07	83501050	black	Pg 07	M10/P7	26.0	8.0	8.5	19	50
EH-Pg 07/09	83501068	black	Pg 07	M12/P9	26.0	8.0	8.5	19	50
EH-Pg 09	83501052	black	Pg 09	M12/P9	26.0	8.0	11.0	19	50
EH-Pg 09/11	83501070	black	Pg 09	M16/P11	26.0	8.0	10.5	22	50
EH-Pg 09/13.5	83501072	black	Pg 09	NW 13	26.0	8.0	10.5	27	50
EH-Pg 09/16	83501074	black	Pg 09	M20/P16	26.0	8.0	10.5	27	50
EH-Pg 11	83501054	black	Pg 11	M16/P11	26.0	8.0	14.0	22	50
EH-Pg 11/09	83501076	black	Pg 11	M12/P09	26.0	8.0	14.0	19	50
EH-Pg 11/13.5	83501078	black	Pg 11	NW 13	26.0	8.0	14.0	27	50
EH-Pg 11/16	83501080	black	Pg 11	M20/P16	26.0	8.0	14.0	27	50
EH-Pg 13.5	83501055	black	Pg 13.5	NW 13	26.0	8.0	14.0	27	50
EH-Pg 13.5/16	83501056	black	Pg 13.5	M20/P16	26.0	8.0	14.0	27	50
EH-Pg 16	83501058	black	Pg 16	M20/P16	26.0	8.0	17.0	27	50
EH-Pg 16/13.5	83501082	black	Pg 16	NW 13	26.0	8.0	17.0	27	50
EH-Pg 21	83501060	black	Pg 21	M25/P21(S)	34.0	10.0	23.0	38	50
EH-Pg 21 long	83501061	black	Pg 21	M25/P21(S)	34.0	15.0	23.0	38	50
EH-Pg 29	83501062	black	Pg 29	M32/P29(S)	34.0	10.0	31.0	46	25
EH-Pg 29 long	83501063	black	Pg 29	M32/P29(S)	34.0	15.0	31.0	46	25
EH-Pg 36	83501064	black	Pg 36	M40/P36(S)	44.0	15.0	40.0	55	25
EH-Pg 48	83501066	black	Pg 48	M50/P48(S)	50.0	15.0	51.0	65	10
EH-Pg 07	83501010	grey	Pg 07	M10/P7	26.0	8.0	8.5	19	50
EH-Pg 07/09	83501028	grey	Pg 07	M12/P9	26.0	8.0	8.5	19	50
EH-Pg 09	83501012	grey	Pg 09	M12/P9	26.0	8.0	11.0	19	50
EH-Pg 09/11	83501030	grey	Pg 09	M16/P11	26.0	8.0	10.5	22	50
EH-Pg 09/13.5	83501032	grey	Pg 09	NW 13	26.0	8.0	10.5	27	50
EH-Pg 09/16	83501034	grey	Pg 09	M20/P16	26.0	8.0	10.5	27	50
EH-Pg 11	83501014	grey	Pg 11	M16/P11	26.0	8.0	14.0	22	50
EH-Pg 11/09	83501036	grey	Pg 11	M12/P09	26.0	8.0	14.0	19	50
EH-Pg 11/13.5	83501038	grey	Pg 11	NW 13	26.0	8.0	14.0	27	50
EH-Pg 11/16	83501040	grey	Pg 11	M20/P16	26.0	8.0	14.0	27	50
EH-Pg 13.5	83501015	grey	Pg 13.5	NW 13	26.0	8.0	14.0	27	50
EH-Pg 13.5/16	83501016	grey	Pg 13.5	M20/P16	26.0	8.0	14.0	27	50
EH-Pg 16	83501018	grey	Pg 16	M20/P16	26.0	8.0	17.0	27	50
EH-Pg 16/13.5	83501042	grey	Pg 16	NW 13	26.0	8.0	17.0	27	50
EH-Pg 21	83501020	grey	Pg 21	M25/P21(S)	34.0	10.0	23.0	38	50
EH-Pg 21 long	83501021	grey	Pg 21	M25/P21(S)	34.0	15.0	23.0	38	50
EH-Pg 29	83501022	grey	Pg 29	M32/P29(S)	34.0	10.0	31.0	46	25
EH-Pg 29 long	83501023	grey	Pg 29	M32/P29(S)	34.0	15.0	31.0	46	25
EH-Pg 36	83501024	grey	Pg 36	M40/P36(S)	44.0	15.0	40.0	55	25
EH-Pg 48	83501026	grey	Pg 48	M50/P48(S)	50.0	15.0	51.0	65	10
NPT version									
EH-NPT 3/8"/11	83501251	black	3/8"	M16/P11	26.0	14.0	12.0	22	50
EH-NPT 1/2"/16	83501250	black	1/2"	M20/P16(S)	26.0	13.0	14.0	27	50
EH-NPT 3/4"/21	83501252	black	3/4"	M25/P21(S)	31.0	14.0	19.0	37	50
EH-NPT 1"/29	83501254	black	1"	M32/P29(S)	32.0	19.0	26.0	46	25
EH-NPT 2"/48	83501258	black	2"	M50/P48(S)	50.0	18.0	51.0	65	10
EH-NPT 1 1/4" / 36	83501256	black	1 1/4"	M40/P36(S)	44.0	18.0	35.0	55	25

IP65



Type CSKV (conduit and cable fitting)

RoHS
compliant

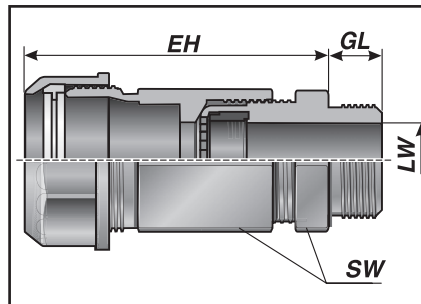
-  -40 to 110 °C
transient 140 °C
-  Mod. polyamide
Moulded seal: Buna N
-  V0
-  IP 65

Combined 2-in-1 conduit and cable fitting.

The CSKV is a combination of our proven WKK cable fitting and the EH conduit fitting.

- Clamping along entire circumference ensuring maximum tear-out strength
- Optimum strain relief for the cable due to iris-shaped lamellae
- No parts can get lost as the fitting does not have to be dismantled for assembly
- High protection class IP 65 without additional parts

IP65



CSKV

Type	Order no.	Colour	Connecting thread	Suitable for Murrflex	EH mm	GL mm	LW mm	SW mm	Pack qty.
Metric version									
CSKV-M16x1.5/9	83581850	black	M16x1.5	M12/P9	45.0	8.0	4.0–8.0	19	50
CSKV-M16x1.5/11	83581852	black	M16x1.5	M16/P11	49.0	8.0	5.0–10.0	22	50
CSKV-M20x1.5/13.5-16	83581854	black	M20x1.5	M20/P16	50.0	9.0	6.0–12.0	24/27	50
CSKV-M20x1.5/16	83581856	black	M20x1.5	M20/P16(S)	52.0	9.0	10.0–14.0	27	50
CSKV-M25x1.5/21	83581858	black	M25x1.5	M25/P21(S)	60.0	11.0	13.0–18.0	33	50
CSKV-M32x1.5/29	83581860	black	M32x1.5	M32/P29(S)	69.0	11.0	18.0–25.0	42	25
CSKV-M40x1.5/36	83581862	black	M40x1.5	M40/P36(S)	88.0	13.0	22.0–32.0	53	10
CSKV-M63x1.5/48	83581864	black	M63x1.5	M50 / 48(S)	109.0	14.0	37.0–44.0	65	10
Pg version									
CSKV-Pg 09	83581250	black	Pg 09	M12/P9	45.0	8.0	4.0–8.0	19	50
CSKV-Pg 11	83581252	black	Pg 11	M16/P11	49.0	8.0	5.0–10.0	22	50
CSKV-Pg 13.5/16	83581254	black	Pg 13.5	M20/P16(S)	52.0	9.0	6.0–12.0	24/27	50
CSKV-Pg 16	83581256	black	Pg 16	M20/P16(S)	52.0	10.0	10.0–14.0	27	50
CSKV-Pg 21	83581258	black	Pg 21	M25/P21(S)	60.0	11.0	13.0–18.0	33	50
CSKV-Pg 29	83581260	black	Pg 29	M32/P29(S)	69.0	11.0	18.0–25.0	42	25
CSKV-Pg 36	83581262	black	Pg 36	M40/P36(S)	88.0	13.0	22.0–32.0	53	10
CSKV-Pg 48	83581264	black	Pg 48	M50/P48(S)	95.0	14.0	37.0–44.0	65	10





Type CSKV (conduit and cable fitting)

RoHS
compliant

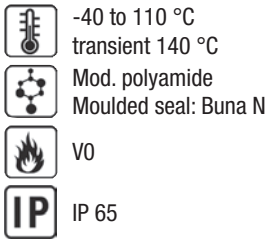
Type	Order no.	Colour	Connecting thread	Suitable for Murrflex	EH mm	GL mm	LW mm	SW mm	Pack qty.
CSKV-Pg 09	83581210	grey	Pg 09	M12/P9	45.0	8.0	4.0–8.0	19	50
CSKV-Pg 11	83581212	grey	Pg 11	M16/P11	49.0	8.0	5.0–10.0	22	50
CSKV-Pg 13.5/16	83581214	grey	Pg 13.5	M20/P16(S)	52.0	9.0	6.0–12.0	24/27	50
CSKV-Pg 16	83581216	grey	Pg 16	M20/P16(S)	52.0	10.0	10.0–14.0	27	50
CSKV-Pg 21	83581218	grey	Pg 21	M25/P21(S)	60.0	11.0	13.0–18.0	33	50
CSKV-Pg 29	83581220	grey	Pg 29	M32/P29(S)	69.0	11.0	18.0–25.0	42	25
CSKV-Pg 36	83581222	grey	Pg 36	M40/P36(S)	88.0	13.0	22.0–32.0	53	10
CSKV-Pg 48	83581224	grey	Pg 48	M50/P48(S)	95.0	14.0	37.0–44.0	65	10
NPT version									
CSKV 3/8"-09	83583250	black	3/8"	M12/P9	45.0	14.0	4.0–8.0	19/22	50
CSKV 1/2"-16	83583256	black	1/2"	M20/P16(S)	52.0	13.0	10.0–14.0	27	50
CSKV 3/4"-21	83583258	black	3/4"	M25/P21(S)	60.0	14.0	13.0–18.0	33	25
CSKV 1"-29	83583260	black	1"	M32/P29(S)	69.0	19.0	18.0–25.0	42	25
CSKV 3/8"-09	83583210	grey	3/8"	M12/P9	45.0	14.0	4.0–8.0	19/22	50
CSKV 1/2"-16	83583216	grey	1/2"	M20/P16(S)	52.0	13.0	10.0–14.0	27	50
CSKV 3/4"-21	83583218	grey	3/4"	M25/P21(S)	60.0	14.0	13.0–18.0	33	25
CSKV 1"-29	83583220	grey	1"	M32/P29(S)	69.0	19.0	18.0–25.0	42	25

IP65



Type MCSKV (conduit and cable fitting)

RoHS
compliant

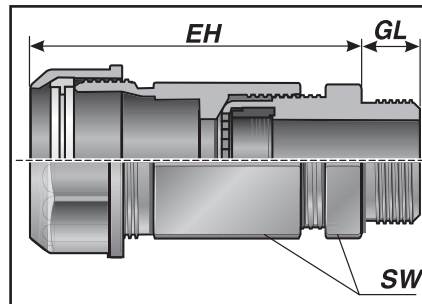


Combined conduit and cable fitting 2-in-1 with multi-insert.

The MCSKV is a combination of our proven MWKK multi cable fitting and the m-tec EH.

- Clamping along entire circumference ensuring maximum tear-out strength
- Optimum strain relief for the cable due to iris-shaped lamellae
- No parts can get lost as the fitting does not have to be dismantled for assembly
- High protection class IP 65 without additional parts
- Several cables can be inserted at the same time

IP65







MCSKV

Type	Order no.	Colour	Connecting thread	Suitable for Murrflex	Number x Ø mm	EH mm	GL mm	SW mm	Pack qty.
Metric version									
MCSKV-M16x1.5/9/4x1.4	83582850	black	M16x1.5	M12/P9	4 x 1.4	45.0	8.0	19	50
MCSKV-M16x1.5/9/2x3	83582852	black	M16x1.5	M12/P9	2 x 3.0	45.0	8.0	19	50
MCSKV-M20x1.5/16/3x2	83582854	black	M20x1.5	M20/P16	3 x 2.0	52.0	9.0	27	50
MCSKV-M20x1.5/16/6x3	83582856	black	M20x1.5	M20/P16	6 x 3.0	52.0	9.0	27	50
MCSKV-M20x1.5/16/3x4	83582858	black	M20x1.5	M20/P16	3 x 4.0	52.0	9.0	27	50
MCSKV-M20x1.5/16/2x5	83582860	black	M20x1.5	M20/P16	2 x 5.0	52.0	9.0	27	50
MCSKV-M25x1.5/21/4x2	83582862	black	M25x1.5	M25/P21	4 x 2.0	60.0	11.0	33	50
MCSKV-M25x1.5/21/3x7	83582864	black	M25x1.5	M25/P21	3 x 7.0	60.0	11.0	33	50
MCSKV-M25x1.5/21/2x8	83582866	black	M25x1.5	M25/P21	2 x 8.0	60.0	11.0	33	50
MCSKV-M32x1.5/29/6x6.5	83582868	black	M32x1.5	M32/P29	6 x 6.5	69.0	11.0	42	25
MCSKV-M32x1.5/29/4x9	83582870	black	M32x1.5	M32/P29	4 x 9.0	69.0	11.0	42	25
Pg version									
MCSKV-Pg 09 4x1.4	83582250	black	Pg 09	M12/P9	4 x 1.4	45.0	8.0	19	50
MCSKV-Pg 09 4x3	83582252	black	Pg 09	M12/P9	4 x 3.0	45.0	8.0	19	50
MCSKV-Pg 11 2x3	83582254	black	Pg 11	M16/P11	2 x 3.0	49.0	8.0	22	50
MCSKV-Pg 11 2x4	83582256	black	Pg 11	M16/P11	2 x 4.0	49.0	8.0	22	50
MCSKV-Pg 11 3x3	83582258	black	Pg 11	M16/P11	3 x 3.0	49.0	8.0	22	50
MCSKV-Pg 13.5 2x5	83582260	black	Pg 13.5	NW13	2 x 5.0	52.0	9.0	24/27	50
MCSKV-Pg 13.5 3x2	83582262	black	Pg 13.5	NW13	3 x 2.0	52.0	9.0	24/27	50
MCSKV-Pg 13.5 3x4	83582264	black	Pg 13.5	NW13	3 x 4.0	52.0	9.0	24/27	50
MCSKV-Pg 13.5 6x3	83582266	black	Pg 13.5	NW13	6 x 3.0	52.0	9.0	24/27	50
MCSKV-Pg 16 2x6	83582268	black	Pg 16	M20/P16	2 x 6.0	52.0	10.0	27	50
MCSKV-Pg 16 3x3	83582270	black	Pg 16	M20/P16	3 x 3.0	52.0	10.0	27	50
MCSKV-Pg 16 3x4	83582272	black	Pg 16	M20/P16	3 x 4.0	52.0	10.0	27	50
MCSKV-Pg 16 3x6	83582274	black	Pg 16	M20/P16	3 x 6.0	52.0	10.0	27	50
MCSKV-Pg 16 4x4	83582276	black	Pg 16	M20/P16	4 x 4.0	52.0	10.0	27	50



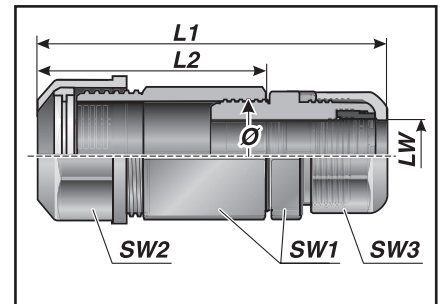
Type ECSKV (conduit and cable fitting)

RoHS compliant

-  -40 to 110 °C
transient 140 °C
-  Mod. polyamide
Moulded seal: Buna N
-  V0
-  IP 65

- Combined 2-in-1 conduit and cable fitting.
The ECSKV is a combination of our proven WKK cable fitting and the m-tec EH conduit fitting.
- Clamping along entire circumference ensuring maximum tear-out strength
 - Optimum strain relief for the cable due to iris-shaped lamellae
 - No parts can get lost as the fitting does not have to be dismantled for assembly
 - High protection class IP 65 without additional parts
 - Optimal fixing with the angle bracket BWM

IP65



ECSKV

Type	Order no.	Colour	Suitable for Murrflex	L1 mm	L2 mm	LW mm	Ø mm	SW 1/2/3 mm	Pack qty.
------	-----------	--------	-----------------------	-------	-------	-------	------	-------------	-----------





Pg version									
ECSKV-Pg 09	83581650	black	M12/P9	62.0	36.0	4.0–8.0	15.2	19/22/19	50
ECSKV-Pg 11	83581652	black	M16/P11	68.0	40.0	5.0–10.0	18.5	22/24/22	50





Type MECSKV (conduit and cable fitting)

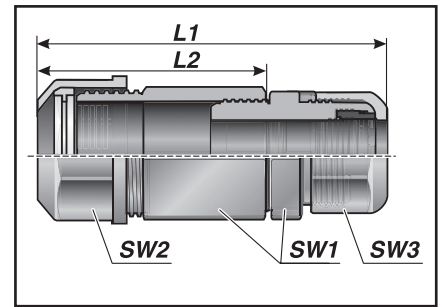
RoHS compliant

-  -40 to 110 °C
transient 140 °C
-  Mod. polyamide
Moulded seal: Buna N
-  V0
-  IP 65

IP65

Combined conduit and cable fitting 2-in-1 with multi-insert.
The MECSKV is a combination of our proven MWKK multi cable fitting and the m-tec EH.

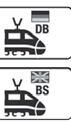
- Clamping along entire circumference ensuring maximum tear-out strength
- Optimum strain relief for the cable due to iris-shaped lamellae
- No parts can get lost as the fitting does not have to be dismantled for assembly
- Several cables can be inserted at the same time
- Optimal fixing with the angle bracket BWM



MECSKV

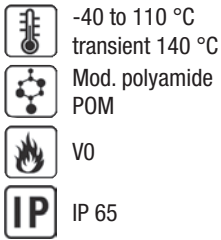
Type	Order no.	Colour	Connecting thread	Suitable for Murrflex	Number x Ø mm	L1 mm	L2 mm	SW 1/2/3 mm	Pack qty.
------	-----------	--------	-------------------	-----------------------	---------------	-------	-------	-------------	-----------

Pg version									
MECSKV-Pg 09 2 x 3	83582410	black	Pg 09	M12/P9	2 x 3.0	62.0	36.0	19/22/19	50
MECSKV-Pg 09 4 x 1.4	83582412	black	Pg 09	M12/P9	4 x 1.4	62.0	36.0	19/22/19	50
MECSKV-Pg 11 2 x 3	83582414	black	Pg 11	M16/P11	2 x 3.0	68.0	40.0	22/24/22	50
MECSKV-Pg 11 2 x 4	83582416	black	Pg 11	M16/P11	2 x 4.0	68.0	40.0	22/24/22	50



Type KW 90° (conduit fitting)

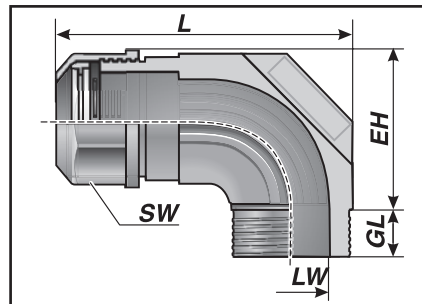
RoHS
compliant



90° angled conduit fitting with plastic thread.

- Reliable assembly because fitting is supplied pre-assembled.
- No additional parts required
- Integrated clamping ring ensures high tear-out strength
- High protection class IP 65 without additional parts
- Can be opened without tools
- The inner bend is rounded. Therefore easy insertion of the cables into the 90° angle

IP65



KW 90°

Type	Order no.	Colour	Connecting thread	Suitable for Murrflex	EH mm	L mm	GL mm	LW mm	SW mm	Pack qty.
Metric version										
KW-M16x1.5/9	83565050	black	M16x1.5	M12/P9	27.0	47.0	7.5	9.5	22.0	50
KW-M20x1.5/11	83565052	black	M20x1.5	M16/P11	29.0	51.0	8.0	13.0	24.0	50
KW-M25x1.5/16	83565054	black	M25x1.5	M20/P16(S)	35.0	56.0	10.0	16.0	30.0	50
KW-M32x1.5/21	83565056	black	M32x1.5	M25/P21(S)	41.0	67.0	12.0	22.0	38.0	25
KW-M40x1.5/29	83565058	black	M40x1.5	M32/P29(S)	53.0	82.0	12.0	28.0	46.0	25
Pg version										
KW-Pg 09	83561050	black	Pg 09	M12/P9	27.0	45.0	7.5	9.5	22.0	50
KW-Pg 11	83561052	black	Pg 11	M16/P11	29.0	51.0	8.0	13.0	24.0	50
KW-Pg 13/16	83561054	black	Pg 13.5	M20/P16(S)	35.0	56.0	10.0	16.0	30.0	50
KW-Pg 16	83561056	black	Pg 16	M20/P16(S)	35.0	56.0	10.0	16.0	30.0	50
KW-Pg 21	83561058	black	Pg 21	M25/P21(S)	41.0	67.0	11.0	22.0	38.0	25
KW-Pg 29	83561060	black	Pg 29	M32/P29(S)	53.0	82.0	12.0	29.0	46.0	25
Grey version										
KW-Pg 09	83561010	grey	Pg 09	M12/P9	27.0	45.0	7.5	9.5	22.0	50
KW-Pg 11	83561012	grey	Pg 11	M16/P11	29.0	51.0	8.0	13.0	24.0	50
KW-Pg 13/16	83561014	grey	Pg 13.5	M20/P16(S)	35.0	56.0	10.0	16.0	30.0	50
KW-Pg 16	83561016	grey	Pg 16	M20/P16(S)	35.0	56.0	10.0	16.0	30.0	50
KW-Pg 21	83561018	grey	Pg 21	M25/P21(S)	41.0	67.0	11.0	22.0	38.0	25
KW-Pg 29	83561020	grey	Pg 29	M32/P29(S)	53.0	82.0	12.0	29.0	46.0	25





Type MCKW (conduit and cable fitting)



-40 to 110 °C
transient 140 °C



mod. Polyamide/moulded seal: Buna N



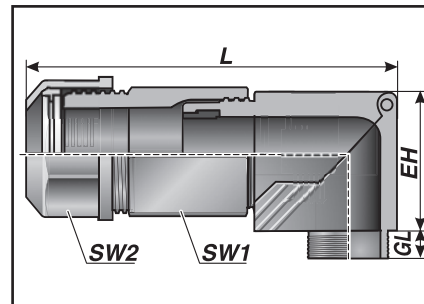
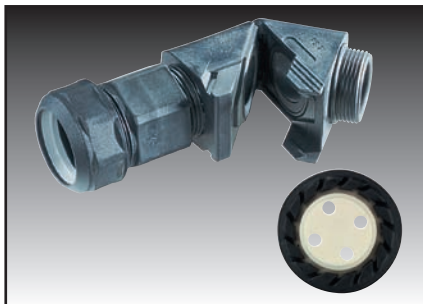
V0



IP 65

90° angled and folding 2-in-1 combined conduit and cable fitting with multi-insert. The MCKW is a combination of our proven multi-angle cable fitting and the EH conduit fitting

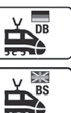
- Clamping along entire circumference ensuring maximum tear-out strength
- Optimum strain relief for the cable due to iris-shaped lamellae
- No parts can get lost as the fitting does not have to be dismantled for assembly
- High protection class IP 65 without additional parts
- Folding angle piece makes cable assembly easy



MCKW

Type	Order no.	Colour	Connecting thread	Suitable for Murrflex	Quantity x Ø [mm]	EH mm	L mm	GL mm	SW 1/2 mm	Pack qty.
Metric version										
MCKW-M16x1.5/9/4x1.4	83582650	black	M16x1.5	M12/P9	4 x 1.4	27.5	75.0	7.0	22/22	50
MCKW-M16x1.5/9/10x1.4	83582652	black	M16x1.5	M12/P9	10 x 1.4	27.5	75.0	7.0	22/22	50
MCKW-M16x1.5/9/5x1.6	83582654	black	M16x1.5	M12/P9	5 x 1.6	27.5	75.0	7.0	22/22	50
MCKW-M16x1.5/9/2x3	83582656	black	M16x1.5	M12/P9	2 x 3.0	27.5	75.0	7.0	22/22	50
MCKW-M20x1.5/16/3x2	83582658	black	M20x1.5	M20/P16	3 x 2.0	32.0	83.0	10.0	27/27	50
MCKW-M20x1.5/16/2x2.5	83582660	black	M20x1.5	M20/P16	2 x 2.5	32.0	83.0	10.0	27/27	50
MCKW-M20x1.5/16/3x3	83582662	black	M20x1.5	M20/P16	3 x 3.0	32.0	83.0	10.0	27/27	50
MCKW-M20x1.5/16/6x3	83582664	black	M20x1.5	M20/P16	6 x 3.0	32.0	83.0	10.0	27/27	50
MCKW-M20x1.5/16/3x4	83582666	black	M20x1.5	M20/P16	3 x 4.0	32.0	83.0	10.0	27/27	50
MCKW-M20x1.5/16/2x5	83582668	black	M20x1.5	M20/P16	2 x 5.0	32.0	83.0	10.0	27/27	50
MCKW-M25x1.5/21/4x5	83582670	black	M25x1.5	M25/P21	4 x 5.0	39.0	101.0	11.0	33/33	50
MCKW-M25x1.5/21/3x7	83582672	black	M25x1.5	M25/P21	3 x 7.0	39.0	101.0	11.0	33/33	50
MCKW-M25x1.5/21/2x8	83582674	black	M25x1.5	M25/P21	2 x 8.0	39.0	101.0	11.0	33/33	50
MCKW-M25x1.5/21/4x6	83582676	black	M25x1.5	M25/P21	4 x 6.0	39.0	101.0	11.0	33/33	50
MCKW-M32x1.5/29/6x6.5	83582678	black	M32x1.5	M32/P29	6 x 6.5	50.0	121.0	11.0	42/42	25
MCKW-M32x1.5/29/4x9	83582680	black	M32x1.5	M32/P29	4 x 9.0	50.0	121.0	11.0	42/42	25
Pg version										
MCKW-Pg 09 2 x 3	83582050	black	Pg 09	M12/P9	2 x 3.0	23.0	67.0	8.0	19/19	50
MCKW-Pg 09 4 x 1.4	83582052	black	Pg 09	M12/P9	4 x 1.4	23.0	67.0	8.0	19/19	50
MCKW-Pg 11 2 x 3	83582054	black	Pg 11	M16/P11	2 x 3.0	28.0	75.0	8.0	22/22	50
MCKW-Pg 11 2 x 4	83582056	black	Pg 11	M16/P11	2 x 4.0	28.0	75.0	8.0	22/22	50
MCKW-Pg 11 3 x 3	83582058	black	Pg 11	M16/P11	3 x 3.0	28.0	75.0	8.0	22/22	50
MCKW-Pg 16 2 x 6	83582068	black	Pg 16	M20/P16	2 x 6.0	37.0	85.0	11.0	27/27	50
MCKW-Pg 16 3 x 3	83582070	black	Pg 16	M20/P16	3 x 3.0	37.0	85.0	11.0	27/27	50
MCKW-Pg 16 3 x 4	83582072	black	Pg 16	M20/P16	3 x 4.0	37.0	85.0	11.0	27/27	50
MCKW-Pg 16 3 x 6	83582074	black	Pg 16	M20/P16	3 x 6.0	37.0	85.0	11.0	27/27	50

IP65



Type MCKW (conduit and cable fitting)

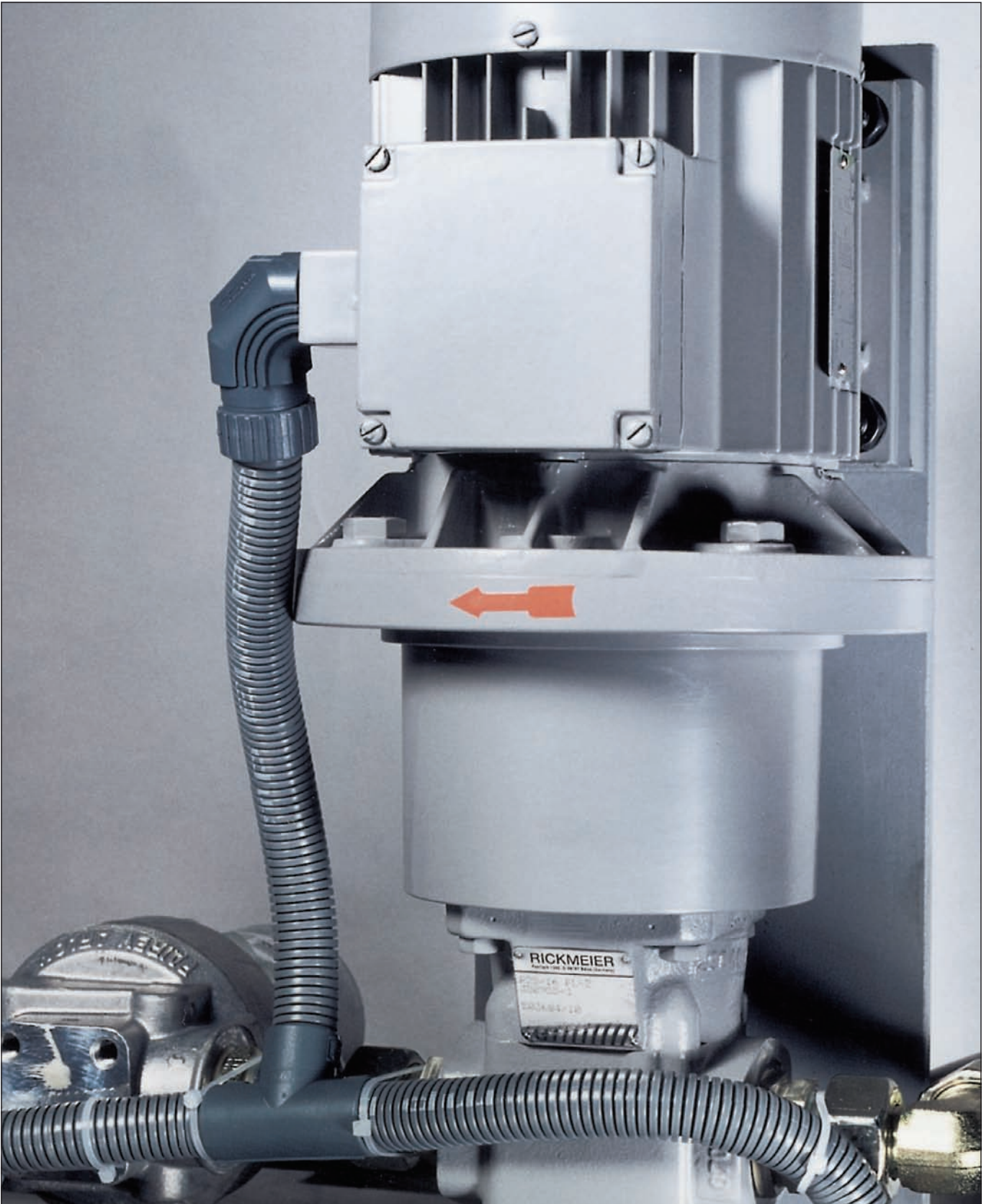
RoHS
compliant

Type	Order no.	Colour	Connecting thread	Suitable for Murrflex	Quantity x Ø [mm]	EH mm	L mm	GL mm	SW 1/2 mm	Pack qty.
MCKW-Pg 16 4 x 4	83582076	black	Pg 16	M20/P16	4 x 4.0	37.0	85.0	11.0	27/27	50
MCKW-Pg 16 5 x 4	83582078	black	Pg 16	M20/P16	5 x 4.0	37.0	85.0	11.0	27/27	50
MCKW-Pg 16 6 x 4	83582080	black	Pg 16	M20/P16	6 x 4.0	37.0	85.0	11.0	27/27	50
MCKW-Pg 21 2 x 8	83582082	black	Pg 21	M25/P21	2 x 8.0	39.0	100.0	11.0	33/33	50
MCKW-Pg 21 3 x 7	83582084	black	Pg 21	M25/P21	3 x 7.0	39.0	100.0	11.0	33/33	50
MCKW-Pg 21 4 x 6	83582086	black	Pg 21	M25/P21	4 x 6.0	39.0	100.0	11.0	33/33	50
MCKW-Pg 29 6 x 6.5	83582088	black	Pg 29	M32/P29	6 x 6.5	50.0	120.0	12.0	42/42	25

The connecting angle piece can also be obtained separately. See accessories, type KAW.

IP65





m-fix conduit fittings



Advantages



Easy to connect

The m-fix family consists of conduit fittings manufactured from high-grade polyamide. Their design means that the fittings offer a high protection rating of IP 54.

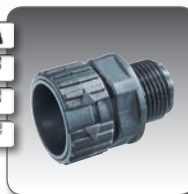
The fittings are completely pre-assembled and no additional parts need to be assembled. This ensures the greatest possible process reliability in assembly. The protection rating can be increased to IP 65 where required by the use of an additional sealing ring.

The cable protection conduit can be assembled quickly and easily by simply inserting the conduit into the fitting. The clamping ring closes automatically. As the inner bends have no sharp edges, the introduction of cables through 90° fittings does not present any problems.



- ✓ Easy push-on connector
- ✓ Very quick assembly
- ✓ High packing density
- ✓ One-piece fitting
- ✓ Inner contours rounded for 90° variants

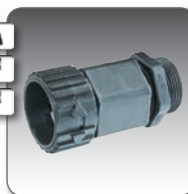
m-fix series product range



Type MSV **(push-on connector, plastic thread)**

Metric ISO thread (M)
PG thread (Pg)
National Pipe Taper (NPT)

Page 130



Type KSV (conduit and cable fitting, plastic thread)

Metric ISO thread (M)
PG thread (Pg)
National Pipe Taper (NPT)

Page 132



Type WSV 90° (angle push-on connector, plastic thread)

PG thread (Pg)

Page 134



Type DR-NBR (sealing ring)

The sealing ring DR-NBR enables the protection rating on conduit fittings MSV, WSV and KSV to be increased from IP 54 to IP 65.

Page 136



Combination options

	Conduit fittings up to conduit size M50 / Pg48		
	MSV	KSV	WSV
EF	X	X	X
EW	✓	✓	✓
EW-F	✓	✓	✓
EWS	✓	✓	✓
EWX	*	*	*
EW-G	⚡	⚡	⚡
EW-HY	✓	✓	✓
EW-LS	✓	✓	✓
EW-PA	✓	✓	✓
EW-PA-LS	✓	✓	✓
EW-PA-UL	✓	✓	✓
EW-PA-EX	✓	✓	✓
EW-PAB	✓	✓	✓
EW-PAE	✓	✓	✓
EW-PAL	✓	✓	✓
EW-PAP	X	X	X
EW-PP	✓	✓	✓
EW-PRF	✓	✓	✓
EW-TEF	✓	✓	✓
EWT-PA	✓	✓	✓
EWT-PP	✓	✓	✓
EWX-LS	*	*	*
EWX-PA	✓	✓	✓
EWX-PA-LS	*	*	*
EWX-PA-UL	✓	✓	✓
EWX-PAE	*	*	*
EWX-PAE-LS	*	*	*
GF	X	X	X

✓ combinable

X not combinable

⚡ combinable to an extent (remove sheathing)

* combinable where extraction forces are low

Material data

	Material			Temperature area [°C]			Protection rating on corrugated conduit	Protection class on cable with combined conduit and cable fittings	Fire specifications UL94	UL File number E148958	Halogen-free	Phosphorous-free	Cadmium-free	Asbestos-free	Lead-free	Silicone-free	RoHS Compliant
	Fitting	Moulded seal	Clamping ring	Min.	Max.	Short periods											
MSV	Polyamide PA6		POM	-40	110	140	IP 54 IP 65 with additional sealing ring		V1	✓	✓	✓	✓	✓	✓	✓	✓
KSV	Polyamide PA6	CR	POM	-40	110	140	IP 54 IP 65 with additional sealing ring	IP 68	V1	✓	✓	✓	✓	✓	✓	✓	✓
WSV	Polyamide PA6		POM	-40	110	140	IP 54 IP 65 with additional sealing ring		V1	✓	✓	✓	✓	✓	✓	✓	✓
DR-NBR	NBR			-25	120						✓	✓	✓	✓	✓	✓	✓



Type MSV (plug-in fitting)

RoHS
compliant



-40 to 110 °C
transient 140 °C



Mod. polyamide; POM

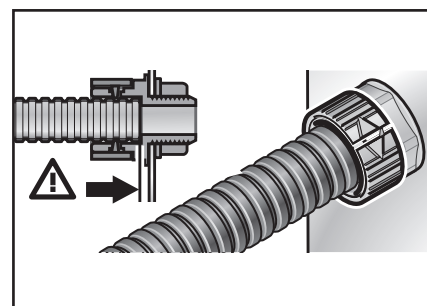
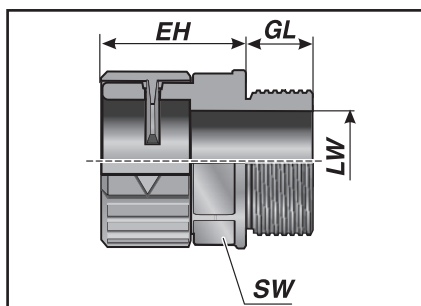


V1



IP 54
IP 65 with sealing ring DR-NBR

- Cost reduction through simplification of assembly work insert conduit → ready
- Extremely high packing density due to small installation dimensions
- Simple opening mechanism
- Can be opened without tool
- Protection rating IP 65 with additional sealing ring (type DR-NBR)
- Cable protection conduit can still be rotated in the fitting



MSV

Type	Order no.	Colour	Connecting thread	Suitable for Murrflex	EH mm	GL mm	LW mm	SW mm	Pack qty.
Metric version									
MSV-M12x1.5/7	83602450	black	M12x1.5	M10/P7	19.0	13.0	8.0	16	50
MSV-M12x1.5/9	83602452	black	M12x1.5	M12/P9	19.0	13.0	8.0	18	50
MSV-M12x1.5/11	83602456	black	M12x1.5	M16/P11	23.0	13.0	8.0	21	50
MSV-M16x1.5/9	83602454	black	M16x1.5	M12/P9	19.0	13.0	12.0	18	50
MSV-M16x1.5/11	83602458	black	M16x1.5	M16/P11	23.0	13.0	12.0	21	50
MSV-M20x1.5/11	83602459	black	M20x1.5	M16/P11	23.0	14.0	13.5	21	50
MSV-M20x1.5/16	83602460	black	M20x1.5	M20/P16(S)	27.0	14.0	15.0	27	50
MSV-M25x1.5/16	83602461	black	M25x1.5	M20/P16(S)	26.0	14.0	19.0	27	50
MSV-M25x1.5/21	83602462	black	M25x1.5	M25/P21(S)	32.0	14.0	21.0	36	50
MSV-M32x1.5/21	83602463	black	M32x1.5	M25/P21(S)	32.0	14.0	26.0	36	50
MSV-M32x1.5/29	83602464	black	M32x1.5	M32/P29(S)	35.0	16.0	27.0	40	25
MSV-M40x1.5/29	83602465	black	M40x1.5	M32/P29(S)	34.0	14.0	32.0	40	25
MSV-M40x1.5/36	83602466	black	M40x1.5	M40/P36(S)	38.0	16.0	34.0	49	10
MSV-M50x1.5/36	83602467	black	M50x1.5	M40/P36(S)	37.5	16.0	40.0	49	10
MSV-M50x1.5/48	83602468	black	M50x1.5	M50/P48(S)	39.0	16.0	44.0	60	10
MSV-M63x1.5/48	83602469	black	M63x1.5	M50/P48(S)	38.5	16.0	52.0	60	10
MSV-M12x1.5/7	83602410	grey	M12x1.5	M10/P7	19.0	13.0	8.0	16	50
MSV-M12x1.5/9	83602412	grey	M12x1.5	M12/P9	19.0	13.0	8.0	18	50
MSV-M12x1.5/11	83602416	grey	M12x1.5	M16/P11	23.0	13.0	8.0	21	50
MSV-M16x1.5/9	83602414	grey	M16x1.5	M12/P9	19.0	13.0	12.0	18	50
MSV-M16x1.5/11	83602418	grey	M16x1.5	M16/P11	23.0	13.0	12.0	21	50
MSV-M20x1.5/11	83602419	grey	M20x1.5	M16/P11	23.0	14.0	13.5	21	50
MSV-M20x1.5/16	83602420	grey	M20x1.5	M20/P16(S)	27.0	14.0	15.0	27	50
MSV-M25x1.5/16	83602421	grey	M25x1.5	M20/P16(S)	26.0	14.0	19.0	27	50
MSV-M25x1.5/21	83602422	grey	M25x1.5	M25/P21(S)	32.0	14.0	21.0	36	50
MSV-M32x1.5/21	83602423	grey	M32x1.5	M25/P21(S)	32.0	14.0	26.0	36	50

IP54



Type MSV (plug-in fitting)

RoHS
compliant

Type	Order no.	Colour	Connecting thread	Suitable for Murrflex	EH mm	GL mm	LW mm	SW mm	Pack qty.
MSV-M32x1.5/29	83602424	grey	M32x1.5	M32/P29(S)	35.0	16.0	27.0	40	25
MSV-M40x1.5/29	83602425	grey	M40x1.5	M32/P29(S)	34.0	14.0	32.0	40	25
MSV-M40x1.5/36	83602426	grey	M40x1.5	M40/P36(S)	38.0	16.0	34.0	49	10
MSV-M50x1.5/36	83602427	grey	M50x1.5	M40/P36(S)	37.5	16.0	40.0	49	10
MSV-M50x1.5/48	83602428	grey	M50x1.5	M50/P48(S)	39.0	16.0	44.0	60	10
MSV-M63x1.5/48	83602429	grey	M63x1.5	M50/P48(S)	38.5	16.0	52.0	60	10
Pg version									
MSV-Pg 07	83601050	black	Pg 07	M10/P7	19.0	9.0	8.0	16	50
MSV-Pg 09	83601052	black	Pg 09	M12/P9	19.0	10.0	9.6	18	50
MSV-Pg 11	83601054	black	Pg 11	M16/P11	23.0	10.0	12.0	21	50
MSV-Pg 13.5/11	83601055	black	Pg 13.5	M16/P11	23.0	13.0	12.0	21	50
MSV-Pg 13.5/16	83601056	black	Pg 13.5	M20/P16(S)	27.0	13.0	15.5	27	50
MSV-Pg 16	83601058	black	Pg 16	M20/P16(S)	27.0	13.0	15.5	27	50
MSV-Pg 21	83601060	black	Pg 21	M25/P21(S)	32.0	14.0	23.0	36	50
MSV-Pg 29	83601062	black	Pg 29	M32/P29(S)	35.0	14.0	28.0	40	25
MSV-Pg 36	83601064	black	Pg 36	M40/P36(S)	38.0	15.0	40.0	49	10
MSV-Pg 48	83601066	black	Pg 48	M50/P48(S)	39.0	17.0	47.0	60	10
MSV-Pg 07	83601010	grey	Pg 07	M10/P7	19.0	9.0	8.0	16	50
MSV-Pg 09	83601012	grey	Pg 09	M12/P9	19.0	10.0	9.6	18	50
MSV-Pg 11	83601014	grey	Pg 11	M16/P11	23.0	10.0	12.0	21	50
MSV-Pg 13.5/11	83601015	grey	Pg 13.5	M16/P11	23.0	13.0	12.0	21	50
MSV-Pg 13.5/16	83601016	grey	Pg 13.5	M20/P16(S)	27.0	13.0	15.5	27	50
MSV-Pg 16	83601018	grey	Pg 16	M20/P16(S)	27.0	13.0	15.5	27	50
MSV-Pg 21	83601020	grey	Pg 21	M25/P21(S)	32.0	14.0	23.0	36	50
MSV-Pg 29	83601022	grey	Pg 29	M32/P29(S)	35.0	14.0	28.0	40	25
MSV-Pg 36	83601024	grey	Pg 36	M40/P36(S)	38.0	15.0	40.0	49	10
MSV-Pg 48	83601026	grey	Pg 48	M50/P48(S)	39.0	17.0	47.0	60	10
NPT version									
MSV-NPT 1/2"/16	83602652	black	1/2"	M20/P16(S)	27.0	14.0	15.0	27	50
MSV-NPT 3/4"/21	83602654	black	3/4"	M25/P21(S)	32.0	14.0	20.5	36	50
MSV-NPT 1"/29	83602656	black	1"	M32/P29(S)	35.0	16.0	26.5	40	25
MSV-NPT 1/2"/16	83602612	grey	1/2"	M20/P16(S)	27.0	14.0	15.0	27	50
MSV-NPT 3/4"/21	83602614	grey	3/4"	M25/P21(S)	32.0	14.0	20.5	36	50
MSV-NPT 1"/29	83602616	grey	1"	M32/P29(S)	35.0	16.0	26.5	40	25

Sealing ring for protection rating of IP 65, see under type DR-NBR in this chapter

IP54



Type KSV (conduit and cable fitting)

RoHS
compliant



-40 to 110 °C
transient 140 °C



Mod. polyamide; POM
Moulded seal: Buna N



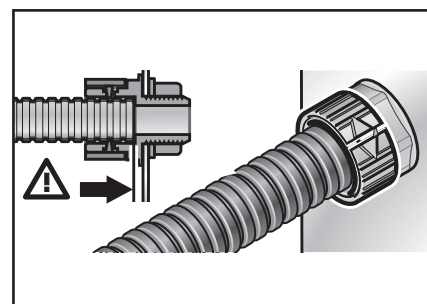
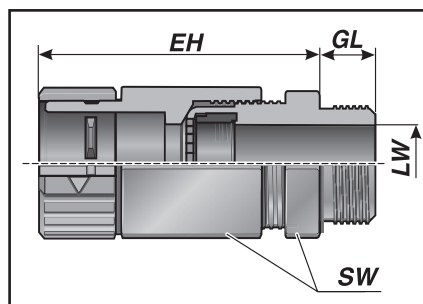
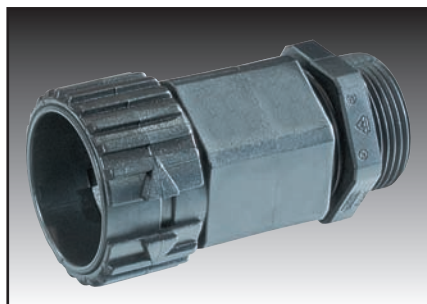
V1



IP 54
IP 65 with sealing ring DR-NBR

The KSV is a combination of our proven WKK cable fitting and the m-fix MSV conduit fitting.

- Costs are reduced thanks to easy conduit assembly = insert conduit → ready
- Optimum strain relief for the cable due to iris-shaped lamellae
- No parts can get lost as the fitting does not have to be dismantled for assembly
- Protection rating IP 65 with additional sealing ring (type DR-NBR)
- Cable protection conduit can still be rotated in the fitting



KSV

Type	Order no.	Colour	Connecting thread	Suitable for Murrflex	EH mm	GL mm	LW mm	SW mm	Pack qty.
Metric version									
KSV-M16x1.5/9	83611450	black	M16x1.5	M12/P9	40.0	8.0	4.0–8.0	19	50
KSV-M16x1.5/11	83611452	black	M16x1.5	M16/P11	47.0	8.0	5.0–10.0	22	50
KSV-M20x1.5/16	83611456	black	M20x1.5	M20/P16(S)	52.0	9.0	10.0–14.0	24/27	50
KSV-M25x1.5/21	83611458	black	M25x1.5	M25/P21(S)	61.0	11.0	13.0–18.0	33	50
KSV-M32x1.5/29	83611460	black	M32x1.5	M32/P29(S)	73.0	11.0	18.0–25.0	42	25
Pg version									
KSV-Pg 09	83611250	black	Pg 09	M12/P9	40.0	8.0	4.0–8.0	19	50
KSV-Pg 11	83611252	black	Pg 11	M16/P11	47.0	8.0	5.0–10.0	22	50
KSV-Pg 13.5/11	86611253	black	Pg 13.5	M16/P11	47.0	9.0	6.0–12.0	24/27	50
KSV-Pg 13.5/16	83611254	black	Pg 13.5	M20/P16(S)	52.0	9.0	6.0–12.0	24/27	50
KSV-Pg 16	83611256	black	Pg 16	M20/P16(S)	53.0	9.0	10.0–14.0	27	50
KSV-Pg 16/21	83611257	black	Pg 16	M25/P21	61.0	10.0	13.0–18.0	33	50
KSV-Pg 21	83611258	black	Pg 21	M25/P21(S)	61.0	11.0	13.0–18.0	33	50
KSV-Pg 29	83611260	black	Pg 29	M32/P29(S)	73.0	11.0	18.0–25.0	42	25
Grey version									
KSV-Pg 09	83611210	grey	Pg 09	M12/P9	40.0	8.0	4.0–8.0	19	50
KSV-Pg 11	83611212	grey	Pg 11	M16/P11	47.0	8.0	5.0–10.0	22	50
KSV-Pg 13.5/11	86611213	grey	Pg 13.5	M16/P11	47.0	9.0	6.0–12.0	24/27	50
KSV-Pg 13.5/16	83611214	grey	Pg 13.5	M20/P16(S)	52.0	9.0	6.0–12.0	24/27	50
KSV-Pg 16	83611216	grey	Pg 16	M20/P16(S)	53.0	9.0	10.0–14.0	27	50

Type KSV (conduit and cable fitting)

RoHS
compliant

Type	Order no.	Colour	Connecting thread	Suitable for Murrflex	EH mm	GL mm	LW mm	SW mm	Pack qty.
KSV-Pg 16/21	83611217	grey	Pg 16	M25/P21	61.0	10.0	13.0–18.0	33	50
KSV-Pg 21	83611218	grey	Pg 21	M25/P21(S)	61.0	11.0	13.0–18.0	33	50
KSV-Pg 29	83611220	grey	Pg 29	M32/P29(S)	73.0	11.0	18.0–25.0	42	25
NPT version									
KSV 3/8"/9	83613250	black	3/8"	M12/P9	52.0	8.0	4.0–8.0	19	50
KSV 1/2"/16	83613256	black	1/2"	M20/P16	60.0	9.0	10.0–14.0	27	50
KSV 3/4"/21	83613258	black	3/4"	M25/P21(S)	70.0	11.0	13.0–18.0	33	25
KSV 1" - / 29	83613260	black	1"	M32/P29	80.0	11.0	18.0–25.0	42	25
KSV 3/8"/9	83613210	grey	3/8"	M12/P9	52.0	8.0	4.0–8.0	19	50
KSV 1/2"/16	83613216	grey	1/2"	M20/P16(S)	60.0	9.0	10.0–14.0	27	50
KSV 3/4"/21	83613218	grey	3/4"	M25/P21(S)	70.0	11.0	13.0–18.0	33	25
KSV 1" - / 29	83613220	grey	1"	M32/P29(S)	80.0	11.0	18.0–25.0	42	25

Sealing ring for protection rating of IP 65, see under type DR-NBR in this chapter

IP54





Type WSV 90° (angle plug-in fitting)

RoHS
compliant



-40 to 110 °C
transient 140 °C



Mod. polyamide
POM

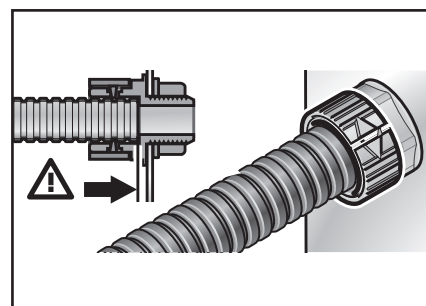
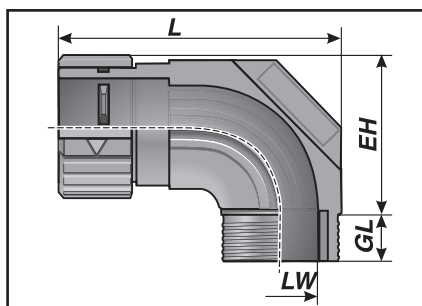
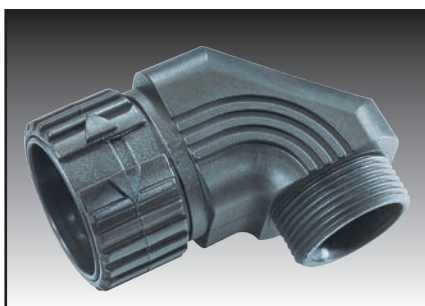


V1



IP 54
IP 65 with sealing ring DR-NBR

- Cost reduction through simplification of assembly work insert conduit → ready
- Extremely high packing density due to small installation dimensions
- Simple opening mechanism
- The interior is rounded, allowing easy insertion of the cable into the 90° angle
- Can be opened without tools
- Protection rating IP 65 with additional sealing ring (type DR-NBR)
- Cable protection conduit can still be rotated in the fitting



WSV 90°

Type	Order no.	Colour	Connecting thread	Suitable for Murrflex	EH mm	L mm	GL mm	LW mm	Pack qty.
Metric version									
WSV-M16x1.5/9	83605050	black	M16x1.5	M12/P9	26.0	42.0	7.5	10.0	50
WSV-M20x1.5/11	83605052	black	M20x1.5	M16/P11	29.0	50.0	8.0	12.0	50
WSV-M25x1.5/16	83605054	black	M25x1.5	M20/P16(S)	32.0	59.0	10.0	16.0	50
WSV-M32x1.5/21	83605056	black	M32x1.5	M25/P21(S)	39.0	69.0	11.0	22.0	25
WSV-M40x1.5/29	83605058	black	M40x1.5	M32/P29(S)	51.0	83.0	12.0	28.0	25
WSV-M50x1.5/36	83605060	black	M50x1.5	M40/P36(S)	70.0	107.0	15.0	35.0	10
WSV-M63x1.5/48	83605062	black	M63x1.5	M50/P48(S)	96.0	134.0	15.0	49.0	10
Pg version									
WSV-Pg 09	83601450	black	Pg 09	M12/P9	28.5	50.0	8.0	13.0	50
WSV-Pg 11	83601452	black	Pg 11	M16/P11	28.5	49.0	8.0	13.0	50
WSV-Pg 13.5/16	83601454	black	Pg 13.5	M20/P16(S)	32.0	59.0	10.0	16.0	50
WSV-Pg 16	83601456	black	Pg 16	M20/P16(S)	32.0	59.0	10.0	16.0	50
WSV-Pg 21	83601458	black	Pg 21	M25/P21(S)	38.5	69.0	11.5	22.0	25
WSV-Pg 29	83601460	black	Pg 29	M32/P29(S)	50.5	82.0	12.0	28.0	25
WSV-Pg 36	83601462	black	Pg 36	M40/P36(S)	70.0	106.0	15.5	35.0	10
WSV-Pg 48	83601464	black	Pg 48	M50/P48(S)	96.0	134.0	16.0	49.0	10

Type WSV 90° (angle plug-in fitting)

RoHS
compliant

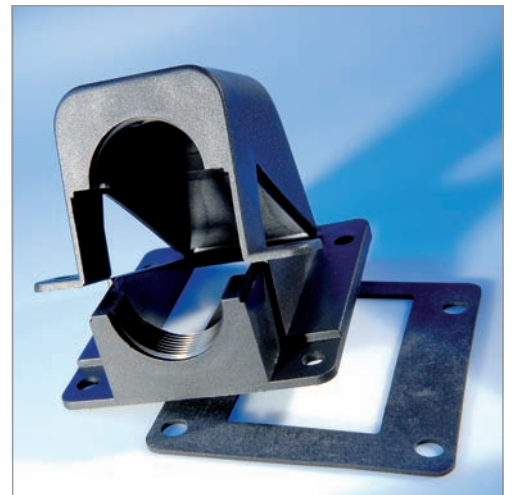
Type	Order no.	Colour	Connecting thread	Suitable for Murrflex	EH mm	L mm	GL mm	LW mm	Pack qty.
WSV-Pg 09	83601410	grey	Pg 09	M12/P9	28.5	50.0	8.0	13.0	50
WSV-Pg 11	83601412	grey	Pg 11	M16/P11	28.5	49.0	8.0	13.0	50
WSV-Pg 13.5/16	83601414	grey	Pg 13.5	M20/P16(S)	32.0	59.0	10.0	16.0	50
WSV-Pg 16	83601416	grey	Pg 16	M20/P16(S)	32.0	59.0	10.0	16.0	50
WSV-Pg 21	83601418	grey	Pg 21	M25/P21(S)	38.5	69.0	11.5	22.0	25
WSV-Pg 29	83601420	grey	Pg 29	M32/P29(S)	50.5	82.0	12.0	28.0	25
WSV-Pg 36	83601422	grey	Pg 36	M40/P36(S)	70.0	106.0	15.5	35.0	10
WSV-Pg 48	83601424	grey	Pg 48	M50/P48(S)	96.0	134.0	16.0	49.0	10
NPT version									
WSV-NPT-3/8"/11	83602052	black	3/8"	M16/P11	28.0	49.0	8.0	13.0	50
WSV-NPT-1/2"/16	83602056	black	1/2"	M20/P16(S)	32.0	59.0	10.0	16.0	50
WSV-NPT-3/4"/21	83602058	black	3/4"	M25/P21(S)	39.0	69.0	10.0	22.0	25
WSV-NPT-1"/29	83602060	black	1"	M32/P29(S)	51.0	83.0	12.0	28.0	25
WSV-NPT-3/8"/11	83602012	grey	3/8"	M16/P11	28.0	49.0	8.0	13.0	50
WSV-NPT-1/2"/16	83602016	grey	1/2"	M20/P16(S)	32.0	59.0	10.0	16.0	50
WSV-NPT-3/4"/21	83602018	grey	3/4"	M25/P21(S)	39.0	69.0	10.0	22.0	25
WSV-NPT-1"/29	83602020	grey	1"	M32/P29(S)	51.0	83.0	12.0	28.0	25

Sealing ring for protection rating of IP 65, see under type DR-NBR in this chapter

IP54



Conduit connection bulkhead fittings



Advantages



Split connection

The conduit connection bulkhead fittings are manufactured from high-grade polyamide.

As the bulkhead fittings are split and have a large cut-out size, pre-assembled cables can be easily and quickly inserted into a housing. Their design means that these bulkhead fittings offer a protection rating of IP54 or IP65.

Cable protection conduits can be assembled directly. The cable protection conduits remain rotatable. The higher IP 65 protection rating is achieved in combination with a suitable conduit fitting.



- ✓ Split system
- ✓ Enables installation of pre-assembled cables
- ✓ Easy assembly
- ✓ Conduit remains rotatable
- ✓ Suitable for EW and EWX cable protection conduits

Flange connection product range



Type KFW

Splitable 90° flange angle connection with a metric or a Pg thread.

Page 142



Types KFW/D and KFW/X

Splitable 90° flange angle connection for direct fixing of cable protection conduits.

Page 144

Combination options

	Conduit fittings up to conduit size M50 / Pg48		
	KFW	KFW/D	KFW/X
EF	✘	✘	✘
EW	✿	✓	✘
EW-F	✿	✓	✘
EWS	✿	✓	✘
EWX	✿	✘	✓
EW-G	✿	⚡	✘
EW-HY	✿	✓	✘
EW-LS	✿	✓	✘
EW-PA	✿	✓	✘
EW-PA-LS	✿	✓	✘
EW-PA-UL	✿	✓	✘
EW-PA-EX	✿	✓	✘
EW-PAB	✿	✓	✘
EW-PAE	✿	✓	✘
EW-PAL	✿	✓	✘
EW-PAP	✿	✘	✘
EW-PP	✿	✓	✘
EW-PRF	✿	✓	✘
EW-TEF	✿	✓	✘
EWT-PA	✿	✓	✘
EWT-PP	✿	✓	✘
EWX-LS	✿	✘	✓
EWX-PA	✿	✘	✓
EWX-PA-LS	✿	✘	✓
EWX-PA-UL	✿	✘	✓
EWX-PAE	✿	✘	✓
EWX-PAE-LS	✿	✘	✓
GF	✘	✘	✘

✓ combinable

✘ not combinable

⚡ combinable to an extent (remove sheathing)

✿ in connection with an additional conduit or cable fitting

Material data

	Material		Temperature area [°C]			Protection rating on corrugated conduit	Fire specifications UL94	UL File number E148958	Halogen-free	Phosphorous-free	Cadmium-free	Asbestos-free	Lead-free	Silicone-free	RoHS Compliant
	Fitting	Moulded seal	Min.	Max.	Short periods										
KFW	Polyamide PA6	Neoprene	-40	110	140	IP 65	V0	✓	✓	✓	✓	✓	✓	✓	✓
KFW/D	Polyamide PA6	Neoprene	-40	110	140	IP 54	V0	✓	✓	✓	✓	✓	✓	✓	✓
KFW/X	Polyamide PA6	Neoprene	-40	110	140	IP 54	V0		✓	✓	✓	✓	✓	✓	✓



Conduit connection bulkhead fittings

Type KFW

RoHS compliant

-40 to 110 °C
transient 140 °C

Mod. polyamide

V0

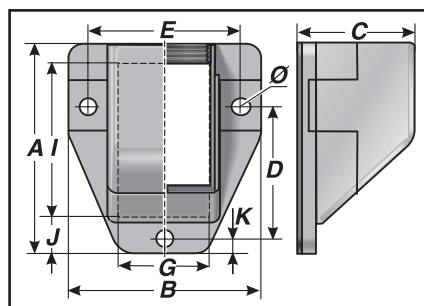
IP 65

Easy-to-open bulkhead fitting conduit and cable fittings. Supplied with gasket for flange connection.

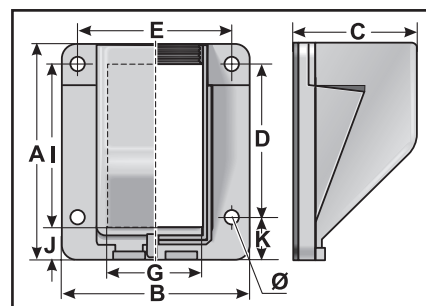
- Enables pre-assembled cables to be inserted by means of removable upper part
- Easy assembly
- High stability
- Internal thread for metric or Pg fittings



KFW



Up to M25/Pg21



From M32/Pg29

Type	Order no.	Colour	Internal thread	A mm	B mm	C mm	D mm	E mm	G mm	I mm	J mm	K mm	Ø mm	Pack qty.
Metric version														
KFW-M16x1.5	83562450	black	M16x1.5	49.0	47.0	35.0	29.0	37.0	22.5	27.0	11.0	4.5	4.3	10
KFW-M20x1.5	83562452	black	M20x1.5	49.0	47.0	35.0	29.0	37.0	22.5	27.0	11.0	4.5	4.3	10
KFW-M25x1.5	83562454	black	M25x1.5	69.0	65.0	44.0	41.5	51.5	30.0	42.5	15.0	6.0	6.0	10
KFW-M32x1.5	83562456	black	M32x1.5	90.0	78.0	55.0	64.5	64.5	40.0	68.0	9.0	16.0	6.5	10
KFW-M40x1.5	83562458	black	M40x1.5	99.0	94.0	66.0	79.5	79.5	48.5	74.5	9.5	10.0	6.5	10
KFW-M50x1.5	83562460	black	M50x1.5	116.0	101.0	76.0	87.5	87.5	68.5	89.5	9.5	16.0	6.5	10
KFW-M16x1.5	83562410	grey	M16x1.5	49.0	47.0	35.0	29.0	37.0	22.5	27.0	11.0	4.5	4.3	10
KFW-M20x1.5	83562412	grey	M20x1.5	49.0	47.0	35.0	29.0	37.0	22.5	27.0	11.0	4.5	4.3	10
KFW-M25x1.5	83562414	grey	M25x1.5	69.0	65.0	44.0	41.5	51.5	30.0	42.5	15.0	6.0	6.0	10
KFW-M32x1.5	83562416	grey	M32x1.5	90.0	78.0	55.0	64.5	64.5	40.0	68.0	9.0	16.0	6.5	10
KFW-M40x1.5	83562418	grey	M40x1.5	99.0	94.0	66.0	79.5	79.5	48.5	74.5	9.5	10.0	6.5	10
KFW-M50x1.5	83562420	grey	M50x1.5	116.0	101.0	76.0	87.5	87.5	68.5	89.5	9.5	16.0	6.5	10





Conduit connection bulkhead fittings

Types KFW/D and KFW/X

RoHS compliant

-40 to 110 °C
transient 140 °C

Mod. polyamide

V0

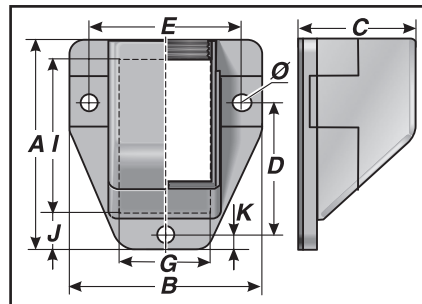
IP 54

Split 90° bulkhead fitting connection for cable protection conduits. Cable protection conduits can be mounted directly onto the bulkhead fitting without any additional fitting. The cable protection conduit can be turned in the bulkhead fitting. Large cut-out sizes make the plastic bulkhead fitting ideally suited for the installation of pre-assembled cables. Supplied with gasket for flange connection.

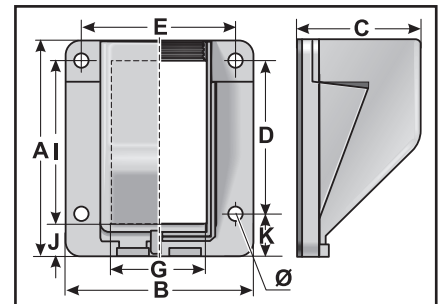
- Enables pre-assembled cables to be inserted by means of removable upper part
- Easy assembly
- Conduit remains rotatable



KFW



Up to D-21/ M25/P21



From D-29/M32/P29

Type	Order no.	Colour	Suitable for Murrflex	A mm	B mm	C mm	D mm	E mm	G mm	I mm	J mm	K mm	Ø mm	Pack qty.
------	-----------	--------	-----------------------	------	------	------	------	------	------	------	------	------	------	-----------

For cable protection conduits with standard corrugation, type EW-xx and EWT-xx

KFW/D-11	83561850	black	M16/P11	49.0	47.0	35.0	29.0	37.0	22.5	27.0	11.0	4.5	4.3	10
KFW/D-16	83561852	black	M20/P16(S)	49.0	47.0	35.0	29.0	37.0	22.5	27.0	11.0	4.5	4.3	10
KFW/D-21	83561854	black	M25/P21(S)	69.0	65.0	44.0	41.5	51.5	30.0	42.5	15.0	6.0	6.0	10
KFW/D-29	83561856	black	M32/P29(S)	90.0	78.0	55.0	64.5	64.5	40.0	68.0	9.0	16.0	6.5	10
KFW/D-36	83561858	black	M40/P36(S)	99.0	94.0	66.0	79.5	79.5	48.5	74.5	9.5	10.0	6.5	10
KFW/D-48	83561860	black	M50/P48(S)	116.0	101.0	76.0	87.5	87.5	68.5	89.5	9.5	16.0	6.5	10

For cable protection conduits with high corrugation, type EWX-xx

KFW/X M25/P21	83562654	black	M25/P21	69.0	65.0	44.0	41.5	51.5	30.0	42.5	15.0	6.0	6.0	10
KFW/X M32/P29	83562656	black	M32/P29	90.0	78.0	55.0	64.5	64.5	40.0	68.0	9.0	16.0	6.5	10
KFW/X M40/P36	83562658	black	M40/P36	99.0	94.0	66.0	79.5	79.5	48.5	74.5	9.5	10.0	6.5	10
KFW/X M50/P48	83562660	black	M50/P48	116.0	101.0	76.0	87.5	87.5	68.5	89.5	9.5	16.0	6.5	10
KFW/X M25/P21	83562614	grey	M25/P21	69.0	65.0	44.0	41.5	51.5	30.0	42.5	15.0	6.0	6.0	10
KFW/X M32/P29	83562616	grey	M32/P29	90.0	78.0	55.0	64.5	64.5	40.0	68.0	9.0	16.0	6.5	10
KFW/X M40/P36	83562618	grey	M40/P36	99.0	94.0	66.0	79.5	79.5	48.5	74.5	9.5	10.0	6.5	10
KFW/X M50/P48	83562620	grey	M50/P48	116.0	101.0	76.0	87.5	87.5	68.5	89.5	9.5	16.0	6.5	10

m-jumbo conduit connection



Advantages



Large connections

The m-jumbo family consists of conduit connections manufactured from high-grade polyamide and are designed for large conduits of sizes NW 70 and NW 95.

The connection has protection rating IP 52. In addition to this the conduit remains rotatable in the fitting.

The protection rating can be easily increased to IP 65 using an additional sealing ring.

The cable protection conduit can be easily fixed to the conduit connection by means of two half shells.

The connections are inherently stable and also provide a high level of tear-out strength.



- ✓ Easy assembly
- ✓ High protection class
- ✓ Conduit remains rotatable in the fitting
- ✓ Straight and 90° versions
- ✓ High tear-out strength

m-jumbo conduit connection product range



**Type SA-Jumbo
(flange connection)**

Straight flange connection for jumbo cable protection conduits.

Page 150



**Type KFW-Jumbo
(90° flange connection)**

Right-angled flange connection for jumbo cable protection conduits.

Page 151



Combination options

	Conduit connection from NW 70	
	SA-Jumbo	KFW-Jumbo
EF	X	X
EW	✓	✓
EWf	✓	✓
EWS	✓	✓
EWX	✓	✓
EW-G	X	X
EW-HY	✓	✓
EW-LS	✓	✓
EW-PA	✓	✓
EW-PA-LS	✓	✓
EW-PA-UL	✓	✓
EW-PA-EX	✓	✓
EW-PAB	✓	✓
EW-PAE	✓	✓
EW-PAL	✓	✓
EW-PAP	X	X
EW-PP	✓	✓
EW-PRF	✓	✓
EW-TEF	✓	✓
EWT-PA	✓	✓
EWT-PP	✓	✓
EWX-LS	✓	✓
EWX-PA	✓	✓
EWX-PA-LS	✓	✓
EWX-PA-UL	✓	✓
EWX-PAE	✓	✓
EWX-PAE-LS	✓	✓
GF	X	X

✓ combinable

X not combinable

Material data





	Material	Temperature area [°C]			Protection rating on corrugated conduit	Fire specifications UL94	UL File number E148958	Halogen-free	Phosphorous-free	Cadmium-free	Asbestos-free	Lead-free	Silicone-free	RoHS Compliant
		Min.	Max.	Short periods										
SA-Jumbo	Polyamide PA6	-40	110	140	IP 52 IP 65 with additional sealing ring	V0	✓	✓	✓	✓	✓	✓	✓	
KFW-Jumbo	Polyamide PA6	-40	110	140	IP 52 IP 65 with additional sealing ring	V0	✓	✓	✓	✓	✓	✓	✓	



m-jumbo conduit connection

Type SA-Jumbo (flange connection)

RoHS
compliant

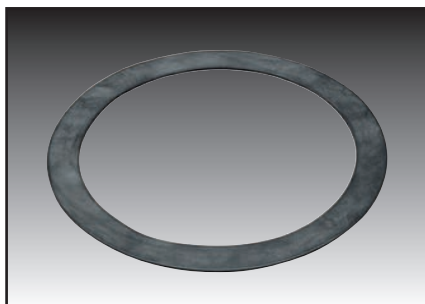
-  -40 to 110 °C
transient 140 °C
-  Mod. polyamide
-  V0
-  IP 52
IP 65 with DS seal

Straight flange connection for Jumbo cable protection conduit

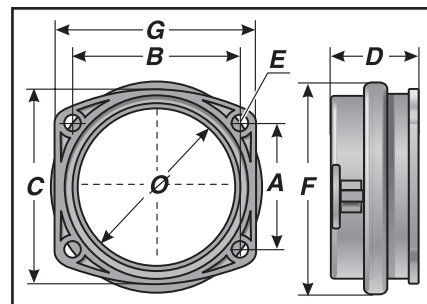
- Split ring makes assembly easy
- High tear-out strength thanks to inherently stabile connection ring
- No sealing → conduit turns in the fitting
- With sealing → higher level of protection
- O-ring for flange/housing included in delivery



SA-Jumbo







DS



Type	Order no.	Colour	Suitable for Murrflex	A mm	B mm	C mm	D mm	E mm	F mm	G mm	Ø mm	Pack qty.
SA 70	83681014	black	70	60.0	80.0	94.0	52.0	7.5	106.0	96.0	70.0	1
SA 95	83681016	black	95	74.0	108.0	126.0	52.0	7.5	132.0	126.0	95.0	1
SA 70	83681010	grey	70	60.0	80.0	94.0	52.0	7.5	106.0	96.0	70.0	1
SA 95	83681012	grey	95	74.0	108.0	126.0	52.0	7.5	132.0	126.0	95.0	1
Seal for IP 65 (conduit connection/fitting):												
DS 70	83101238											1
DS 95	83101240											1

Type KFW-Jumbo (90° flange connection)

RoHS compliant

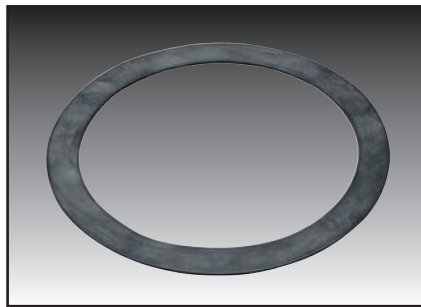
-  -40 to 110 °C
transient 140 °C
-  Mod. polyamide
-  V0
-  IP 52
IP 65 with DS seal

Angled flange connection for Jumbo cable protection conduit

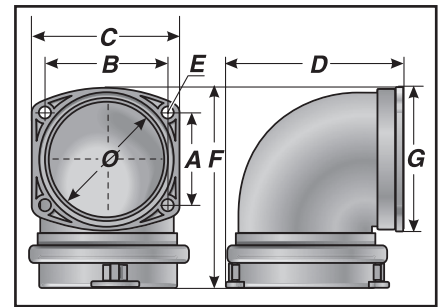
- Split ring makes assembly easy
- High tear-out strength thanks to inherently stabile connection ring
- No sealing → conduit turns in the fitting
- With sealing → higher level of protection
- O-ring for flange/housing included in delivery



KFW-Jumbo



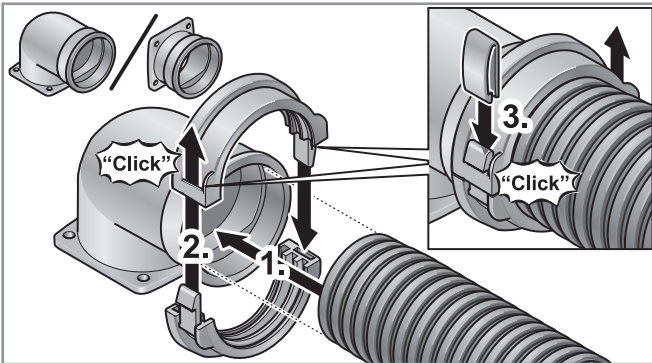
DS



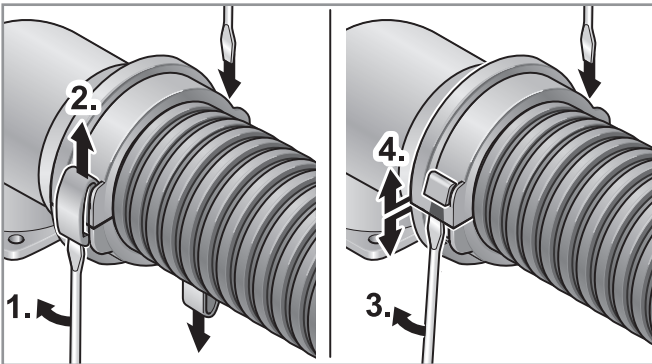
Type	Order no.	Colour	Suitable for Murrflex	A mm	B mm	C mm	D mm	E mm	F mm	G mm	Ø mm	Pack qty.
KFW-70	83681213	black	70	60.0	80.0	96.0	110.0	7.0	137.0	94.0	77.0	1
KFW-95	83681214	black	95	74.0	108.0	127.0	144.0	7.0	167.0	128.0	111.0	1
KFW-70	83681210	grey	70	60.0	80.0	96.0	110.0	7.0	137.0	94.0	77.0	1
KFW-95	83681212	grey	95	74.0	108.0	127.0	144.0	7.0	167.0	128.0	111.0	1
Seal for IP 65 (conduit connection/fitting):												
DS 70	83101238											
DS 95	83101240											



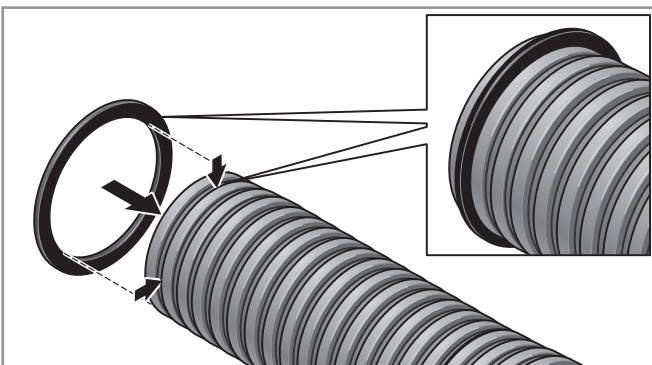
Assembly



Insert cable protection conduit into fitting. Position and fix half shells onto the fitting. Fit locking mechanisms on both sides.



Loosen and remove locking mechanisms on both sides with an appropriate tool. Loosen latching and remove half shells. Remove cable protection conduit from the fitting.



An additional sealing ring is needed on the cable protection conduit to achieve a protection rating of IP 65. To this end pull the seal onto the first recess on the cable protection conduit. Thereafter assemble according to step 1.

Special fitting



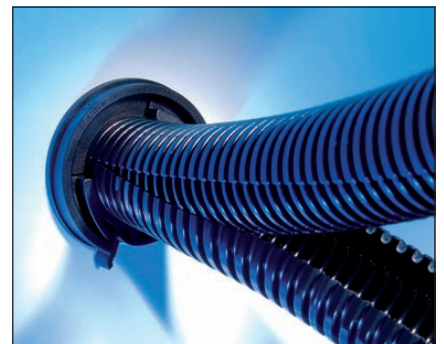
Advantages



Special Fittings

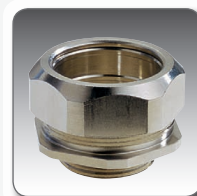
The special fittings are special solutions for cable protection conduits encased with metal braiding. For separable corrugated pipes with standard corrugations or closed cable protection conduits.

They are characterised by particular features such as their split design or the discharging of sheath currents.



- ✓ Split version
- ✓ EMC discharge
- ✓ Stable design
- ✓ Individual

Special fittings product range



Type EH-EMV

Metal fitting for the encased cable protection conduit type EW-PAP for discharge of sheath currents.

Page 160



Type AT

Split conduit connection to fix cable protection conduits to switch cabinets.

Page 161



Combination options

	EH-EMV	AT
EF	✗	✗
EW	✗	✓
EFW	✗	✓
EWS	✗	✓
EWX	✗	✓
EW-G	✗	⚡
EW-HY	✗	✓
EW-LS	✗	✓
EW-PA	✗	✓
EW-PA-LS	✗	✓
EW-PA-UL	✗	✓
EW-PA-EX	✗	✓
EW-PAB	✗	✓
EW-PAE	✗	✓
EW-PAL	✗	✓
EW-PAP	✓	✗
EW-PP	✗	✓
EW-PRF	✗	✓
EW-TEF	✗	✓
EWT-PA	✗	✓
EWT-PP	✗	✓
EWX-LS	✗	✓
EWX-PA	✗	✓
EWX-PA-LS	✗	✓
EWX-PA-UL	✗	✓
EWX-PAE	✗	✓
EWX-PAE-LS	✗	✓
GF	✗	✗

✓ combinable

✗ not combinable

⚡ combinable to an extent (remove sheathing)


Material data

	Material	Temperature area [°C]			Protection rating on corrugated conduit	Fire specifications UL94	Halogen-free	Phosphorous-free	Cadmium-free	Asbestos-free	Lead-free	Silicone-free	RoHS Compliant
		Min.	Max.	Short periods									
EH-EMV	Brass nickel-plated				IP 40								✓
AT	Polyamide PA6	-40	110	140		V0	✓	✓	✓	✓	✓	✓	✓



Type EH-EMV

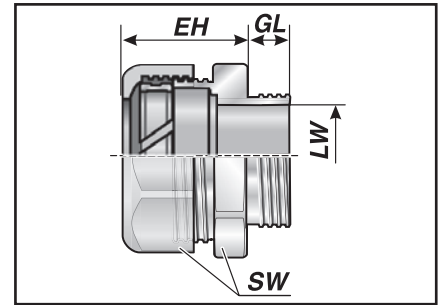
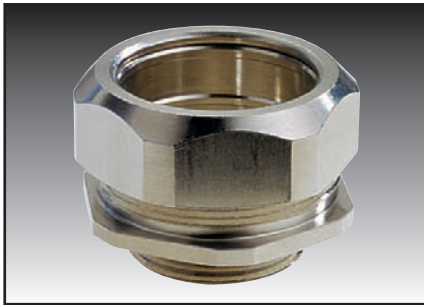


 Brass, nickel-plated

 IP 40

Metal fitting for sheathed cable protection conduit type EW-PAP. This fitting discharges sheath currents on the cable protection conduit.

- For use with EMV applications



EH-EMV

Type	Order no.	Connecting thread	Suitable for EW-PAP	LW mm	EH mm	GL mm	SW mm	Pack qty.
EH-EMV 09	83521010	Pg 09	M12/P9	12.0	17.0	6.0	22	50
EH-EMV 11	83521012	Pg 11	M16/P11	15.5	18.0	6.0	27	50
EH-EMV 16	83521014	Pg 16	M20/P16(S)	18.5	20.0	7.0	31	50
EH-EMV 21	83521016	Pg 21	M25/P21(S)	24.0	23.0	7.0	40	25
EH-EMV 29	83521018	Pg 29	M32/P29(S)	33.0	26.0	7.0	48	25
EH-EMV 36	83521020	Pg 36	M40/P36	43.0	30.0	7.5	60/57	10
EH-EMV 48	83521022	Pg 48	M50/P48	54.0	32.0	11.0	78	5

Type AT

RoHS
compliant



-40 to 110 °C
transient 140 °C



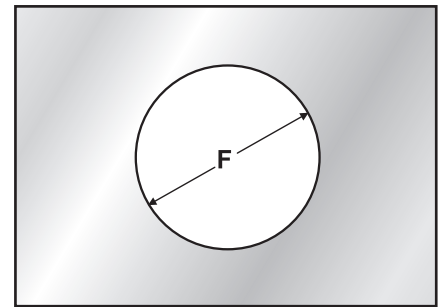
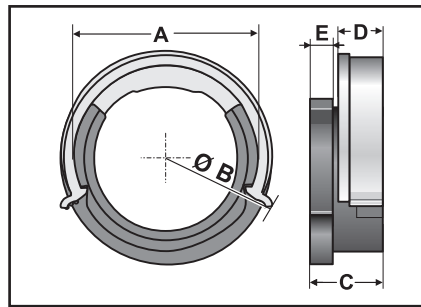
Mod. polyamide 6



V0

Split conduit connection to fix cable protection conduits to switch cabinets.
Suitable for switch cabinets with a wall thickness of 1.5–2.0 mm.

- Quick and easy to assemble and disassemble without tools.
- Conduits can still be rotated
- Compact construction
- Insertion of pre-assembled cables through split internal and external ring



AT

Type	Order no.	Colour	suitable for Murrflex	A mm	B mm	C mm	D mm	E mm	F mm	Pack qty.
AT M20/P09	83651050	black	M12/P9	20.2	35.0	16.0	9.5	5.0	20.5	50
AT M25/P11	83651052	black	M16/P11	25.2	40.5	16.0	9.5	5.0	25.5	50
AT M32/P16	83651054	black	M20/P16	32.2	48.0	17.2	10.3	5.4	32.5	50
AT M40/P21	83651056	black	M25/P21	40.2	58.0	17.9	10.0	6.4	40.5	50
AT M50/P29	83651058	black	M32/P29	50.2	68.0	17.9	10.0	6.4	50.5	25
AT M50/P36	83651060	black	M40/P36	50.2	68.0	21.5	12.0	8.0	50.5	10
AT M63/P48	83651062	black	M50/P48	63.2	82.0	24.8	15.3	8.0	63.5	10
AT M20/P09	83651010	grey	M12/P9	20.2	35.0	16.0	9.5	5.0	20.5	50
AT M25/P11	83651012	grey	M16/P11	25.2	40.5	16.0	9.5	5.0	25.5	50
AT M32/P16	83651014	grey	M20/P16	32.2	48.0	17.2	10.3	5.4	32.5	50
AT M40/P21	83651016	grey	M25/P21	40.2	58.0	17.9	10.0	6.4	40.5	50
AT M50/P29	83651018	grey	M32/P29	50.2	68.0	17.9	10.0	6.4	50.5	25
AT M50/P36	83651020	grey	M40/P36	50.2	68.0	21.5	12.0	8.0	50.5	10
AT M63/P48	83651022	grey	M50/P48	63.2	82.0	24.8	15.3	8.0	63.5	10