

Cable fittings



Material data

	Material				Temperature area [°C]			Protection class	Fire specifications UL94	Approvals			Halogen-free	Phosphorous-free	Cadmium-free	Asbestos-free	Lead-free	RoHS Compliant
	Fitting	Clamping insert	Moulded seal	O-Ring	Min.	Max.	Short periods			VDE	UR / UL	CSA						
WKK	Polyamide PA6		NBR	NBR	-40	100	120	IP 68	V0	✓	✓	✓	✓	✓	✓	✓	✓	✓
WKK-Ex	Polyamide PA6		NBR	NBR	-20	105		IP 68	V0	✓	✓	✓	✓	✓	✓	✓	✓	✓
WKM	Brass nickel-plated	Polyamide PA6	NBR	NBR	-40	100	120	IP 68		✓	✓	✓						✓
MWKM	Brass nickel-plated	Polyamide PA6	Elastomer	NBR	-40	100	120	IP 65			✓	✓						✓
WKM-EMV	Brass nickel-plated	Polyamide PA6	NBR	NBR	-40	100	120	IP 68		✓	✓	✓						✓
KV-ME	Elastomer				-40	100	120	IP 65			✓		✓	✓	✓	✓	✓	✓

Cable fittings product range



Type WKK (plastic version)

Cable fittings with very good strain relief and vibration-resistant lockable cap nut. Combinable with multi-insert KV-ME.

Page 190



Type WKK-Ex (plastic version)

Cable fittings with very good strain relief for areas at risk of explosion. High protection class and large clamping range.

Page 192



Type WKM (metal version)

Cable fittings with very good strain relief and vibration-resistant lockable cap nut. Combinable with multi-insert KV-ME.

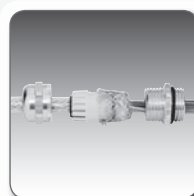
Page 194



Type MWKM (metal version with multi-insert)

The MWKM is a metal cable fitting with multi-insert that enables several cables to be routed through one cable fitting.

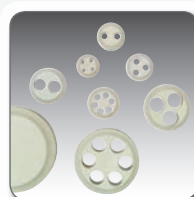
Page 195



Type WKM-EMV (metal version)

Shielded cables can be connected to earth potential using this cable fitting. Large clamping area.

Page 196



Type KV-ME (multi-insert)

Enables several cables to be routed through one fitting. The fitted seal insert in the cable fitting is simply swapped for the KV-ME multi-insert.

Page 197

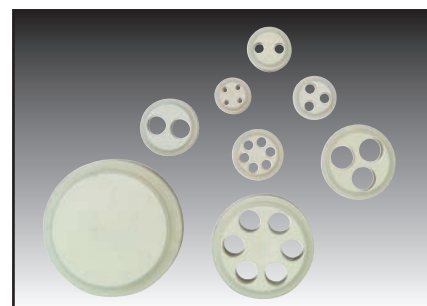
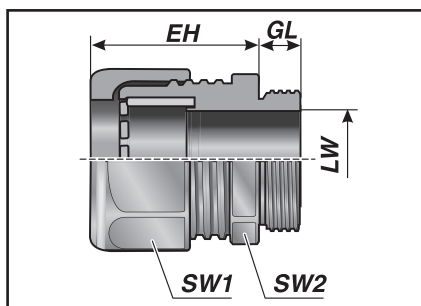
Type WKK (plastic version)

RoHS
compliant

- 40 to 100 °C
transient 120 °C
- Mod. polyamide
Moulded seal: NBR
- V0
- IP 68 up to 10 bar
with additional O-ring, type OR

The cable fitting offers excellent strain relief and has a vibration-resistant cap nut. The multi-insert KV-ME enables several cables to be routed through one cable fitting.

- Very high protection class
- Easy to assemble
- Large clamping range
- An additional O-ring (type OR) is required in order to assure a protection rating of IP 68



WKK

Type	Order no.	Colour	Connecting thread	LW mm	EH mm	GL mm	SW 1/2 mm	Pack qty.
Metric version								
WKK-M12x1.5	84105050	black	M12x1.5	3.0–6.5	21.0	8.0	15/15	50
WKK-M16x1.5	84105056	black	M16x1.5	4.0–8.0	22.0	8.0	19/19	50
WKK-M20x1.5	84105062	black	M20x1.5	6.0–12.0	27.0	9.0	24/24	50
WKK-M25x1.5	84105068	black	M25x1.5	13.0–18.0	31.0	11.0	33/33	50
WKK-M32x1.5	84105074	black	M32x1.5	18.0–25.0	39.0	11.0	42/42	25
WKK-M40x1.5	84105080	black	M40x1.5	22.0–32.0	48.0	13.0	53/53	10
WKK-M50x1.5	84105086	black	M50x1.5	32.0–38.0	49.0	13.0	60/60	5
WKK-M63x1.5	84105092	black	M63x1.5	37.0–44.0	49.0	14.0	65/68	5
WKK-M12x1.5	84105000	grey	M12x1.5	3.0–6.5	21.0	8.0	15/15	50
WKK-M16x1.5	84105006	grey	M16x1.5	4.0–8.0	22.0	8.0	19/19	50
WKK-M20x1.5	84105012	grey	M20x1.5	6.0–12.0	27.0	9.0	24/24	50
WKK-M25x1.5	84105018	grey	M25x1.5	13.0–18.0	31.0	11.0	33/33	50
WKK-M32x1.5	84105024	grey	M32x1.5	18.0–25.0	39.0	11.0	42/42	25
WKK-M40x1.5	84105030	grey	M40x1.5	22.0–32.0	48.0	13.0	53/53	10
WKK-M50x1.5	84105036	grey	M50x1.5	32.0–38.0	49.0	13.0	60/60	5
WKK-M63x1.5	84105042	grey	M63x1.5	37.0–44.0	49.0	14.0	65/68	5
Metric version with extended thread								
WKK/L-M12x1.5	84105650	black	M12x1.5	3.0–6.5	21.0	15.0	15/15	100
WKK/L-M16x1.5	84105652	black	M16x1.5	4.0–8.0	22.0	15.0	19/19	100
WKK/L-M20x1.5	84105654	black	M20x1.5	6.0–12.0	27.0	15.0	24/24	100
WKK/L-M25x1.5	84105656	black	M25x1.5	13.0–18.0	31.0	15.0	33/33	100

Type WKK (plastic version)

RoHS
compliant

Type	Order no.	Colour	Connecting thread	LW mm	EH mm	GL mm	SW 1/2 mm	Pack qty.
Pg version								
WKK-Pg 07	84101050	black	Pg 07	3.0–6.5	21.0	8.0	15/15	50
WKK-Pg 09	84101052	black	Pg 09	4.0–8.0	22.0	8.0	19/19	50
WKK-Pg 11	84101054	black	Pg 11	5.0–10.0	25.0	8.0	22/22	50
WKK-Pg 13.5	84101056	black	Pg 13.5	6.0–12.0	27.0	9.0	24/24	50
WKK-Pg 16	84101058	black	Pg 16	10.0–14.0	28.0	10.0	27/27	50
WKK-Pg 21	84101060	black	Pg 21	13.0–18.0	31.0	11.0	33/33	50
WKK-Pg 29	84101062	black	Pg 29	18.0–25.0	39.0	11.0	42/42	25
WKK-Pg 36	84101064	black	Pg 36	22.0–32.0	48.0	13.0	53/53	10
WKK-Pg 42	84101066	black	Pg 42	32.0–38.0	49.0	13.0	60/60	5
WKK-Pg 48	84101068	black	Pg 48	37.0–44.0	49.0	13.0	65/65	5
WKK-Pg 07	84101010	grey	Pg 07	3.0–6.5	21.0	8.0	15/15	50
WKK-Pg 09	84101012	grey	Pg 09	4.0–8.0	22.0	8.0	19/19	50
WKK-Pg 11	84101014	grey	Pg 11	5.0–10.0	25.0	8.0	22/22	50
WKK-Pg 13.5	84101016	grey	Pg 13.5	6.0–12.0	27.0	9.0	24/24	50
WKK-Pg 16	84101018	grey	Pg 16	10.0–14.0	28.0	10.0	27/27	50
WKK-Pg 21	84101020	grey	Pg 21	13.0–18.0	31.0	11.0	33/33	50
WKK-Pg 29	84101022	grey	Pg 29	18.0–25.0	39.0	11.0	42/42	25
WKK-Pg 36	84101024	grey	Pg 36	22.0–32.0	48.0	13.0	53/53	10
WKK-Pg 42	84101026	grey	Pg 42	32.0–38.0	49.0	13.0	60/60	5
WKK-Pg 48	84101028	grey	Pg 48	37.0–44.0	49.0	13.0	65/65	5
Pg version with extended thread								
WKK/L-Pg 07	84101650	black	Pg 07	3–6.5	21.0	15.0	15/15	50
WKK/L-Pg 09	84101652	black	Pg 09	4–8	22.0	15.0	19/19	50
WKK/L-Pg 11	84101654	black	Pg 11	5–10	25.0	15.0	22/22	50
WKK/L-Pg 13.5	84101656	black	Pg 13.5	6–12	27.0	15.0	24/24	50
WKK/L-Pg 16	84101658	black	Pg 16	10–14	28.0	15.0	27/27	50
WKK/L-Pg 21	84101660	black	Pg 21	13–18	31.0	15.0	33/33	50
WKK/L-Pg 29	84101662	black	Pg 29	18–25	39.0	15.0	42/42	25
WKK/L-Pg 36	84101664	black	Pg 36	22–32	48.0	18.0	53/53	10
WKK/L-Pg 42	84101666	black	Pg 42	32–38	49.0	18.0	60/60	5
WKK/L-Pg 48	84101668	black	Pg 48	37–44	49.0	18.0	65/65	5
WKK/L-Pg 07	84101610	grey	Pg 07	3–6.5	21.0	15.0	15/15	50
WKK/L-Pg 09	84101612	grey	Pg 09	4–8	22.0	15.0	19/19	50
WKK/L-Pg 11	84101614	grey	Pg 11	5–10	25.0	15.0	22/22	50
WKK/L-Pg 13.5	84101616	grey	Pg 13.5	6–12	27.0	15.0	24/24	50
WKK/L-Pg 16	84101618	grey	Pg 16	10–14	28.0	15.0	27/27	50
WKK/L-Pg 21	84101620	grey	Pg 21	13–18	31.0	15.0	33/33	50
WKK/L-Pg 29	84101622	grey	Pg 29	18–25	39.0	15.0	42/42	25
WKK/L-Pg 36	84101624	grey	Pg 36	22–32	48.0	18.0	53/53	10
WKK/L-Pg 42	84101626	grey	Pg 42	32–38	49.0	18.0	60/60	5
WKK/L-Pg 48	84101628	grey	Pg 48	37–44	49.0	18.0	65/65	5
NPT version								
WKK / NPT 3/8"	84102050	black	3/8"	2–6	22	15.0	19/22	50
WKK / NPT 3/8"	84102052	black	3/8"	4–8	22	15.0	19/22	50
WKK / NPT 1/2"	84102054	black	1/2"	5–9	27	13.0	24/24	50
WKK / NPT 1/2"	84102056	black	1/2"	9–12	28	13.0	24/24	50



Type WKK-Ex (plastic version)

RoHS
compliant



-20 to 105 °C



Mod. polyamide
Moulded seal: NBR



V0



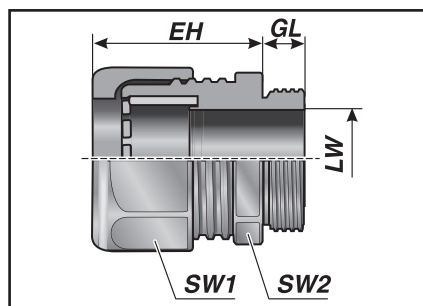
IP 68 up to 10 bar
with additional O-ring, type OR



Ex class EEx e II PTB
Ex class EEx e II KEMA

Cable fitting with high protection class for areas at risk of explosion.
The cable fitting offers excellent strain relief and has a vibration-resistant cap nut.

- Very high protection class
- Approved for areas at risk of explosion
- Large clamping range
- An additional O-ring (type OR) is required in order to reach a protection rating of IP 68



WKK-EX

Type	Order no.	Colour	Connecting thread	LW mm	EH mm	GL mm	SW 1/2 mm	Pack qty.
Pg version								
WKK / Ex-Pg 07	84101250	black	Pg 07	3.0–6.5	21.0	8.0	15/15	50
WKK / Ex-Pg 09	84101252	black	Pg 09	4.0–8.0	22.0	8.0	19/19	50
WKK / Ex-Pg 11	84101254	black	Pg 11	5.0–10.0	25.0	8.0	22/22	50
WKK / Ex-Pg 13.5	84101256	black	Pg 13.5	6.0–12.0	27.0	9.0	24/24	50
WKK / Ex-Pg 16	84101258	black	Pg 16	10.0–14.0	28.0	10.0	27/27	50
WKK / Ex-Pg 21	84101260	black	Pg 21	13.0–18.0	31.0	11.0	33/33	50
WKK / Ex-Pg 29	84101262	black	Pg 29	18.0–25.0	39.0	11.0	42/42	25
WKK / Ex-Pg 36	84101264	black	Pg 36	22.0–32.0	48.0	13.0	53/53	10
WKK / Ex-Pg 42	84101266	black	Pg 42	32.0–38.0	49.0	13.0	60/60	5
WKK / Ex-Pg 48	84101268	black	Pg 48	37.0–44.0	49.0	14.0	65/65	5
WKK / Ex-Pg 07	84101210	grey	Pg 07	3.0–6.5	21.0	8.0	15/15	50
WKK / Ex-Pg 09	84101212	grey	Pg 09	4.0–8.0	22.0	8.0	19/11	50
WKK / Ex-Pg 11	84101214	grey	Pg 11	5.0–10.0	25.0	8.0	22/22	50
WKK / Ex-Pg 13.5	84101216	grey	Pg 13.5	6.0–12.0	27.0	9.0	24/24	50
WKK / Ex-Pg 16	84101218	grey	Pg 16	10.0–14.0	28.0	10.0	27/27	50
WKK / Ex-Pg 21	84101220	grey	Pg 21	13.0–18.0	31.0	11.0	33/33	50
WKK / Ex-Pg 29	84101222	grey	Pg 29	18.0–25.0	39.0	11.0	42/42	25
WKK / Ex-Pg 36	84101224	grey	Pg 36	22.0–32.0	48.0	13.0	53/53	10
WKK / Ex-Pg 42	84101226	grey	Pg 42	32.0–38.0	49.0	13.0	60/60	5
WKK / Ex-Pg 48	84101228	grey	Pg 48	37.0–44.0	49.0	14.0	65/65	5

Type WKM (metal version)

RoHS
compliant



-40 to 100 °C
transient 120 °C



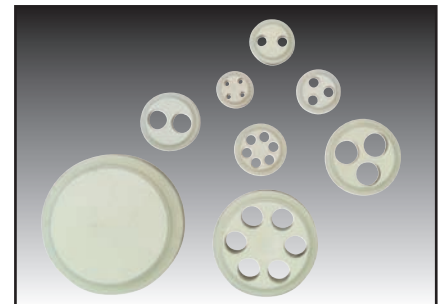
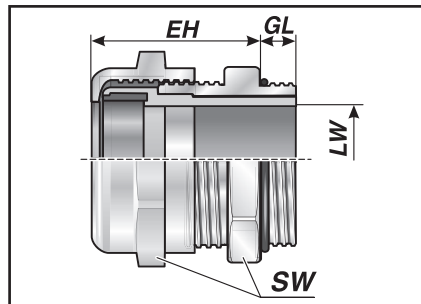
Brass, nickel-plated
mod. polyamide; NBR



IP 68 up to 10 bar

The cable fitting offers excellent strain relief and has a vibration-resistant cap nut. The multi-insert KV-ME enables several cables to be routed through one cable fitting.

- Very high protection class
- Easy to assemble
- Large clamping range
- Includes sealing ring on connecting thread



WKM

Type	Order no.	Connecting thread	LW mm	EH mm	GL mm	SW mm	Pack qty.
Metric version							
WKM-M12x1.5	84125010	M12x1.5	3.0–6.5	19.0	5.0	14	50
WKM-M16x1.5	84125014	M16x1.5	4.0–8.0	20.0	6.0	17	50
WKM-M20x1.5	84125018	M20x1.5	6.0–12.0	22.0	6.0	22	50
WKM-M25x1.5	84125022	M25x1.5	13.0–18.0	25.0	7.0	27	25
WKM-M32x1.5	84125026	M32x1.5	18.0–25.0	29.0	8.0	40	25
WKM-M40x1.5	84125030	M40x1.5	22.0–32.0	35.0	8.0	50	10
WKM-M50x1.5	84125034	M50x1.5	32.0–38.0	37.0	9.0	57	10
WKM-M63x1.5	84125038	M63x1.5	37.0–44.0	38.0	10.0	64/68	10
Pg version							
WKM-Pg 07	84121010	Pg 07	3.0–6.5	19.0	5.0	14	50
WKM-Pg 09	84121012	Pg 09	4.0–8.0	20.0	6.0	17	50
WKM-Pg 11	84121014	Pg 11	5.0–10.0	21.0	6.0	20	50
WKM-Pg 13.5	84121016	Pg 13.5	6.0–12.0	22.0	6.5	22	50
WKM-Pg 16	84121018	Pg 16	10.0–14.0	23.0	6.5	24	50
WKM-Pg 21	84121020	Pg 21	13.0–18.0	25.0	7.0	30	25
WKM-Pg 29	84121022	Pg 29	18.0–25.0	29.0	8.0	40	25
WKM-Pg 36	84121024	Pg 36	22.0–32.0	35.0	8.0	40	10
WKM-Pg 42	84121026	Pg 42	32.0–38.0	37.0	9.0	57	5
WKM-Pg 48	84121028	Pg 48	37.0–44.0	38.0	10.0	64	5





Type WKM (metal version)







Type	Order no.	Connecting thread	LW mm	EH mm	GL mm	SW mm	Pack qty.
Pg version with extended thread							
WKM/L-Pg 07	84121210	Pg 07	3-6.5	19.0	10.0	14	50
WKM/L-Pg 09	84121212	Pg 09	4-8	20.0	10.0	17	50
WKM/L-Pg 11	84121214	Pg 11	5-10	21.0	10.0	20	50
WKM/L-Pg 13.5	84121216	Pg 13.5	6-12	22.0	10.0	22	50
WKM/L-Pg 16	84121218	Pg 16	10-14	23.0	10.0	24	50
WKM/L-Pg 21	84121220	Pg 21	13-18	25.0	12.0	30	25
WKM/L-Pg 29	84121222	Pg 29	18-25	29.0	12.0	40	25
WKM/L-Pg 36	84121224	Pg 36	22-32	35.0	15.0	40	10
WKM/L-Pg 42	84121226	Pg 42	32-38	37.0	15.0	57	5
WKM/L-Pg 48	84121228	Pg 48	37-44	38.0	15.0	64	5
NPT version							
WKM-NPT 3/8"	84122212	3/8"	2-6	21.0	15	17/19	50
WKM-NPT 3/8"	84122210	3/8"	4-8	21.0	15	17/19	50
WKM-NPT 1/2"	84122216	1/2"	5-9	24.0	13	22/24	50
WKM-NPT 1/2"	84122214	1/2"	6-12	24.0	13	22/24	50
WKM-NPT 3/4"	84122220	3/4"	9-16	25.0	13	30	25
WKM-NPT 3/4"	84122218	3/4"	13-18	25.0	13	30	25



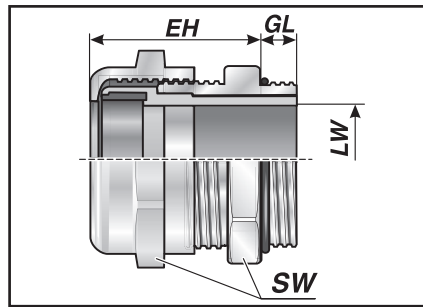
Type MWKM (metal version with multi-insert)

RoHS
compliant

-  -40 to 100 °C
transient 120 °C
-  Brass, nickel-plated
mod. polyamide; NBR
-  IP 65
-  Moulded seal: Elastomer
O-Ring: NBR

The MWKM is a metal cable fitting with multi-insert that enables several cables to be routed through one cable fitting.

- Integrated multi-insert
- High tightness
- Easy to assemble
- Includes sealing ring on connecting thread







MWKM

Type	Order no.	Connecting thread	LW mm	EH mm	GL mm	SW mm	Pack qty.
MWKM-Pg 09-2x3	84121810	Pg 09	2 x 3.0	21.0	6.0	17	50
MWKM-Pg 09-4x1.4	84121812	Pg 09	4 x 1.4	21.0	6.0	17	50
MWKM-Pg 11-2x3	84121814	Pg 11	2 x 3.0	22.0	6.0	20	50
MWKM-Pg 11-2x4	84121816	Pg 11	2 x 4.0	22.0	6.0	20	50
MWKM-Pg 11-2x4	84121818	Pg 11	3 x 3.0	22.0	6.0	20	50
MWKM-Pg 13.5-2x5	84121820	Pg 13.5	2 x 5.0	24.0	6.5	22	50
MWKM-Pg 13.5-3x2	84121822	Pg 13.5	3 x 2.0	24.0	6.5	22	50
MWKM-Pg 13.5-3x4	84121824	Pg 13.5	3 x 4.0	24.0	6.5	22	50
MWKM-Pg 13.5-6x3	84121826	Pg 13.5	6 x 3.0	22.0	6.5	22	50
MWKM-Pg 16-2x6	84121828	Pg 16	2 x 6.0	23.0	6.5	24	50
MWKM-Pg 16-2x4	84121830	Pg 16	3 x 3.0	23.0	6.5	24	50
MWKM-Pg 16-3x4	84121832	Pg 16	3 x 3.0	23.0	6.5	24	50
MWKM-Pg 16-3x6	84121834	Pg 16	3 x 6.0	23.0	6.5	24	50
MWKM-Pg 16-4x4	84121836	Pg 16	4 x 4.0	23.0	6.5	24	50
MWKM-Pg 16-5x4	84121838	Pg 16	5 x 4.0	23.0	6.5	24	50
MWKM-Pg 16-6x4	84121840	Pg 16	6 x 4.0	23.0	6.5	24	50
MWKM-Pg 21-2x8	84121842	Pg 21	2 x 8.0	24.0	7.0	30	25
MWKM-Pg 21-3x7	84121844	Pg 21	3 x 7.0	24.0	7.0	30	25
MWKM-Pg 21-4x6	84121846	Pg 21	4 x 6.0	24.0	7.0	30	25



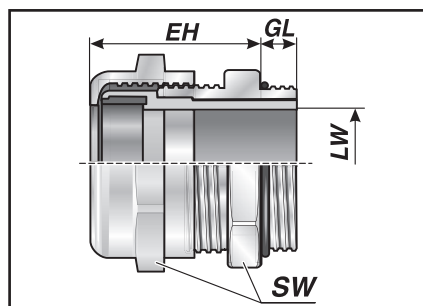
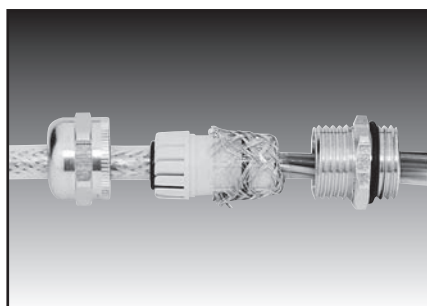
Type WKM-EMV (metal version)

RoHS
compliant

-  -40 to 100 °C
transient 120 °C
-  Brass, nickel-plated
mod. polyamide; NBR
-  IP 68 up to 10 bar
-  Moulded seal and
O-Ring: NBR

Shielded cables can be connected to earth potential using this cable fitting. The cable's braiding makes contact with the metal body. This enables sheath currents to be discharged.

- Simple contacting
- Large clamping range
- Easy handling
- Includes sealing ring on connecting thread



WKM-EMV

Type	Order no.	Connecting thread	LW mm	EH mm	GL mm	SW mm	Pack qty.
Metric/EMV version							
WKM/EMV M12x1.5	84125210	M12x1.5	3.0–6.5	19.0	5.0	14	50
WKM/EMV M16x1.5	84125212	M16x1.5	6.0–10.0	22.0	6.0	20	50
WKM/EMV M20x1.5	84125214	M20x1.5	10.0–14.0	23.0	6.0	24	50
WKM/EMV M25x1.5	84125216	M25x1.5	14.0–18.0	24.0	7.0	30	25
WKM/EMV M32x1.5	84125218	M32x1.5	20.0–25.0	31.0	8.0	40	25
WKM/EMV M40x1.5	84125220	M40x1.5	22.0–32.0	37.0	8.0	50	25
WKM / EMV M63x1.5	84125224	M63x1.5	37.0–44.0	38.0	10.0	64/68	5
Pg/EMV version							
WKM/EMV Pg 07	84122010	Pg 07	3.0–6.5	19.0	5.0	14	50
WKM/EMV Pg 09	84122012	Pg 09	4.0–8.0	21.0	6.0	17	50
WKM/EMV Pg 11	84122014	Pg 11	6.0–10.0	22.0	6.0	20	50
WKM/EMV Pg 13.5	84122016	Pg 13.5	6.0–12.0	24.0	6.5	22	50
WKM/EMV Pg 16	84122018	Pg 16	10.0–14.0	23.0	6.5	24	50
WKM/EMV Pg 21	84122020	Pg 21	14.0–18.0	24.0	7.0	30	25
WKM/EMV Pg 29	84122022	Pg 29	20.0–25.0	29.0	8.0	40	25
WKM/EMV Pg 36	84122024	Pg 36	22.0–32.0	35.0	8.0	50	10
WKM/EMV Pg 42	84122026	Pg 42	32.0–38.0	37.0	9.0	57	5
WKM/EMV Pg 48	84122028	Pg 48	37.0–44.0	38.0	10.0	64	5

Type KV-ME (multi-insert)

RoHS
compliant

 -40 to 100 °C
transient 120 °C

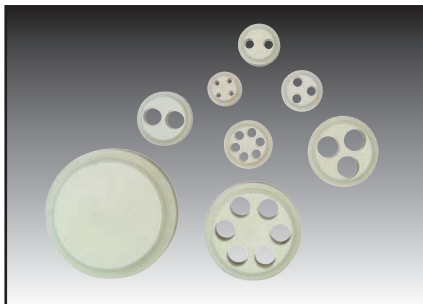
 Elastomer

 IP 65

The KV-ME multi-insert can be used both in WKK cable fittings and in WKM cable fittings. This enables several cables to be routed through one fitting. The fitted seal insert in the cable fitting is simply swapped for the KV-ME multi-insert.

The cable diameter may be up to 20% less than the diameter of the hole, but must not undershoot the hole diameter by less than 1 mm.

- Variable
- More cables through one fitting
- High protection class



KV-ME

Type	Order no.	Number x Ø mm	Suitable for metric	Suitable for Pg	Suitable for NPT	Pack qty.
KV-ME M16/Pg09-4x1.4	8358221000	4 x 1.4	M 16	Pg 09	NPT 3/8"	50
KV-ME M16/Pg09-2x3	8358221200	2 x 3	M 16	Pg 09	NPT 3/8"	50
KV-ME M20/Pg13.5-2x5	8358222000	2 x 5	M 20	Pg 13.5	NPT 1/2"	50
KV-ME M20/Pg13.5-3x2	8358222200	3 x 2	M 20	Pg 13.5	NPT 1/2"	50
KV-ME M20/Pg13.5-3x4	8358222400	3 x 4	M 20	Pg 13.5	NPT 1/2"	50
KV-ME M20/Pg13.5-6x3	8358222600	6 x 3	M 20	Pg 13.5	NPT 1/2"	50
KV-ME Pg11-2x3	8358221400	2 x 3	-	Pg 11	-	50
KV-ME Pg11-2x4	8358221600	2 x 4	-	Pg 11	-	50
KV-ME Pg11-3x3	8358221800	3 x 3	-	Pg 11	-	50
KV-ME Pg16-2x6	8358222800	2 x 6	-	Pg 16	-	50
KV-ME Pg16-3x3	8358223000	3 x 3	-	Pg 16	-	50
KV-ME Pg16-3x4	8358223200	3 x 4	-	Pg 16	-	50
KV-ME Pg16-3x5.6	8358223400	3 x 5.6	-	Pg 16	-	50
KV-ME Pg16-4x4	8358223600	4 x 4	-	Pg 16	-	50
KV-ME Pg16-5x4	8358223800	5 x 4	-	Pg 16	-	50
KV-ME Pg16-6x4	8358224000	6x4	-	Pg 16	-	50
KV-ME M25/Pg21-2x8	8358224200	2 x 8	M 25	Pg 21	NPT 3/4"	50
KV-ME M25/Pg21-3x7	8358224400	3 x 7	M 25	Pg 21	NPT 3/4"	50
KV-ME M25/Pg21-4x6	8358224600	4 x 6	M 25	Pg 21	NPT 3/4"	50
KV-ME M32/Pg29-6x6.5	8358224800	6 x 6.5	M 32	Pg 29	-	50
KV-ME M32/Pg29-4x9	8358225000	4 x 9	M 32	Pg 29	-	25
KV-ME M40/Pg36-blank	8358228400	-	M 40	Pg 36	NPT 1 1/2"	25

