

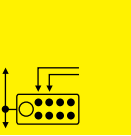
Fieldbus Systems

Fieldbus System: Devicenet

For a simple choice of outstanding network components, Balluff offers the entire spectrum of high-performance network technology. For applications in the USA, such as with Rockwell Automation and other controller manufacturers, we can provide you with all of the modules for efficient Devicenet implementation. For simple installation, speedy integration through direct mounting as well as the possibility of fast modifications. And all of this completely independent of controller manufacturer. You save time and lower costs.

Choose an efficient field and process combination using our components. We give you the choice of a combination regardless of controller manufacturer, letting you easily choose based on your requirements and utilize our comprehensive, fully developed Networking and Connectivity product line that leaves nothing to be desired beyond the control cabinet.





Power cables	82
Power tees	88
Power plug connectors	89
Bus cables	80
Bus terminating resistors	86
Bus tee	87
Accessories	90

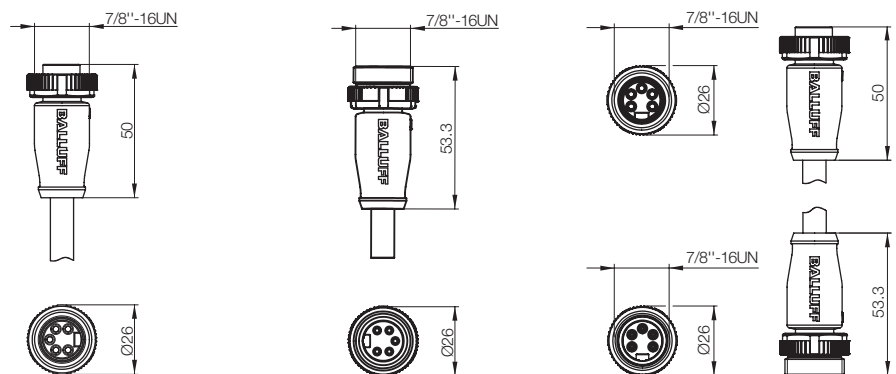
Bus cables 7/8", 5-pin, thin

Transfer rate	Cable	
	thick	thin
125 kbs baud rate	500 m	100 m
250 kbs baud rate	250 m	100 m
500 kbs baud rate	100 m	100 m



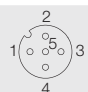
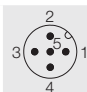
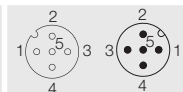
Connector diagram and wiring	Female straight	Male straight	Female straight/Male straight
<p>PIN 1: shield PIN 2: red PIN 3: black PIN 4: white PIN 5: blue</p>	<p>PIN 1: shield PIN 2: red PIN 3: black PIN 4: white PIN 5: blue</p>		
Type	Female straight	Male straight	Female straight/Male straight
Supply voltage U_b	30 V	30 V	30 V
Number of conductors \times conductor cross-section	2 \times 24 AWG + 2 \times 22 AWG	2 \times 24 AWG + 2 \times 22 AWG	2 \times 24 AWG + 2 \times 22 AWG
Degree of protection as per IEC 60529	IP 68	IP 68	IP 68
Ambient temperature T_a	-20...+80 °C	-20...+80 °C	-20...+80 °C






Standard lengths	Ordering code		
	Part number		
0.6 m			BCC09YA BCC A315-A315-30-330-VS85N6-006
2 m		BCC09UY BCC A315-0000-10-030-VS85N6-020	BCC09W8 BCC A315-0000-20-030-VS85N6-020
5 m		BCC09W0 BCC A315-0000-10-030-VS85N6-050	BCC09WA BCC A315-0000-20-030-VS85N6-050
10 m		BCC09W3 BCC A315-0000-10-030-VS85N6-100	BCC09WF BCC A315-0000-20-030-VS85N6-100
15 m			BCC09YJ BCC A315-A315-30-330-VS85N6-020
			BCC09YP BCC A315-A315-30-330-VS85N6-050
			BCC09YQ BCC A315-A315-30-330-VS85N6-100
			BCC09YT BCC A315-A315-30-330-VS85N6-150

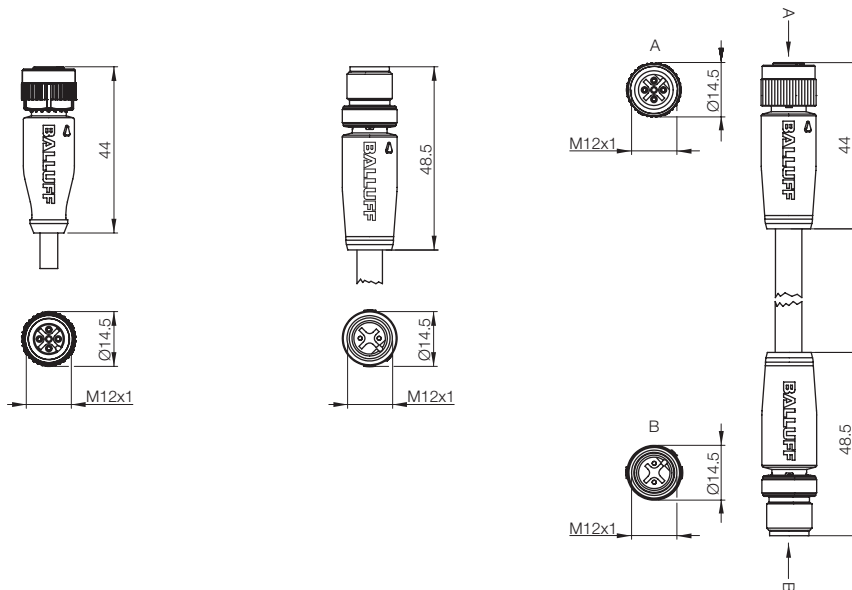




Profibus
 Profinet
 CC-Link
 Devicenet
 Product topology
 IO-Link modules
 Modules
 Bitmaps
 Power cables
 Power tees
 Power connectors
Bus cables
 Bus terminating resistor
 Bus tee
 Accessories
 Analyzer
 Ethernet/IP
 Unmanaged switches

Connector diagram and wiring	 PIN 1: shield PIN 2: red PIN 3: black PIN 4: white PIN 5: blue	 PIN 1: shield PIN 2: red PIN 3: black PIN 4: white PIN 5: blue	 PIN 1: shield PIN 2: red PIN 3: black PIN 4: white PIN 5: blue
Type	Female straight	Male straight	Female straight/Male straight
Supply voltage U_B	30 V	30 V	30 V
Number of conductors \times conductor cross-section	2 \times 24 AWG + 2 \times 22 AWG	2 \times 24 AWG + 2 \times 22 AWG	2 \times 24 AWG + 2 \times 22 AWG
Degree of protection as per IEC 60529	IP 68	IP 68	IP 68
Ambient temperature T_a	-20...+80 °C	-20...+80 °C	-20...+80 °C

Standard lengths	Ordering code		
	Part number		
0.6 m			BCC0E03 BCC M415-M415-3A-330-VS85N6-006
2 m		BCC0CZW BCC M415-0000-1A-030-VS85N6-020	BCC0E00 BCC M415-0000-2A-030-VS85N6-020
5 m		BCC0CZY BCC M415-0000-1A-030-VS85N6-050	BCC0E01 BCC M415-0000-2A-030-VS85N6-050
10 m		BCC0CZZ BCC M415-0000-1A-030-VS85N6-100	BCC0E02 BCC M415-0000-2A-030-VS85N6-100
15 m			BCC0E04 BCC M415-M415-3A-330-VS85N6-020
			BCC0E05 BCC M415-M415-3A-330-VS85N6-050
			BCC0E06 BCC M415-M415-3A-330-VS85N6-100
			BCC0E07 BCC M415-M415-3A-330-VS85N6-150



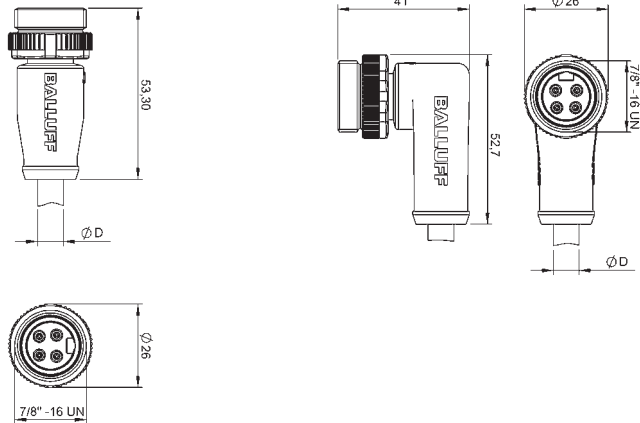
Devicenet
Power cables 7/8", 4-pin



Connector diagram and wiring	<p>PIN 1: brown PIN 2: white PIN 3: blue PIN 4: black</p>	<p>PIN 1: brown PIN 2: white PIN 3: blue PIN 4: black</p>
Type	Male	Male
Supply voltage U_B	300 V DC	300 V DC
Number of conductors × conductor cross-section	4×1.5 mm ²	4×1.5 mm ²
Degree of protection as per IEC 60529	IP 68	IP 68
Ambient temperature T_a	-25...+80° C	-25...+80° C

Cable material	Color	Length	Ordering code		
			Part number		
PUR		Black	2 m	BCC06HL	BCC06HP
				BCC A314-000-20-003-PX04A5-020	BCC A324-0000-20-003-PX04A5-020
PUR		Black	5 m	BCC06HM	BCC06HR
				BCC A314-000-20-003-PX04A5-050	BCC A324-0000-20-003-PX04A5-050
PUR		Black	10 m	BCC06HN	BCC06HT
				BCC A314-000-20-003-PX04A5-100	BCC A324-0000-20-003-PX04A5-100

Other cable materials, colors, and lengths on request.

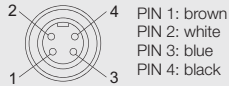


Devicenet

Power cables 7/8", 4-pin



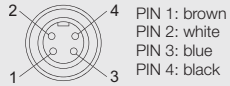
Profibus
 Profinet
 CC-Link
 Devicenet
 Product topology
 IO-Link modules
 Modules
 Bitmaps
Power cables
 Power tees
 Power connectors
 Bus cables
 Bus terminating resistor
 Bus tee
 Accessories
 Analyzer
 Ethernet/IP
 Unmanaged switches



PIN 1: brown
 PIN 2: white
 PIN 3: blue
 PIN 4: black



Female
 300 V DC
 4x1.5 mm²
 IP 68
 -25...+80° C



PIN 1: brown
 PIN 2: white
 PIN 3: blue
 PIN 4: black



Female
 300 V DC
 4x1.5 mm²
 IP 68
 -25...+80° C

Ordering code

Part number

BCC06HU

BCC A314-0000-10-003-PX04A5-020

BCC06HZ

BCC A324-0000-10-003-PX04A5-020

BCC06HW

BCC A314-0000-10-003-PX04A5-050

BCC06J0

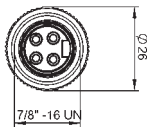
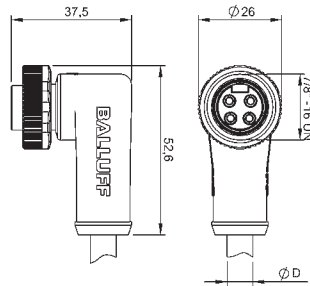
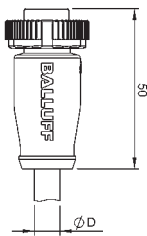
BCC A324-0000-10-003-PX04A5-050

BCC06HY

BCC A314-0000-10-003-PX04A5-100

BCC06J1

BCC A324-0000-10-003-PX04A5-100



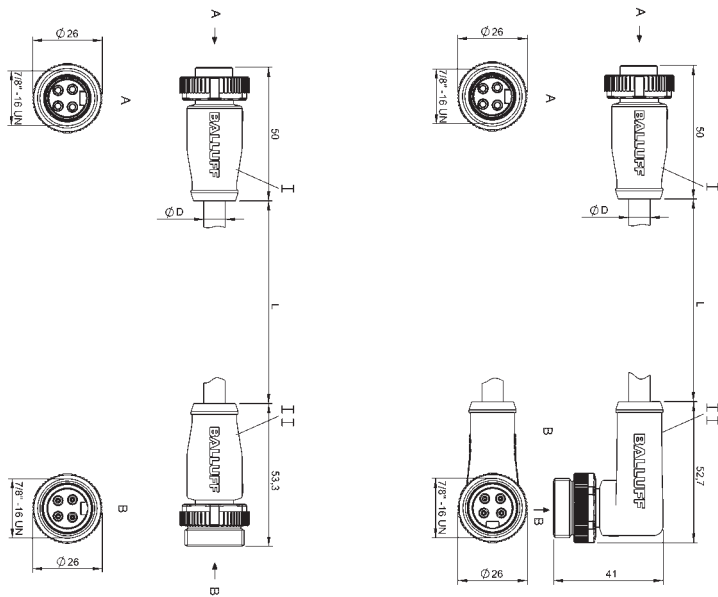
Power connection cables 7/8", 4-pin



Connector diagram and wiring	<p>PIN 1: brown PIN 2: white PIN 3: blue PIN 4: black</p>	<p>PIN 1: brown PIN 2: white PIN 3: blue PIN 4: black</p>
Type	Female/male	Female/male
Supply voltage U_b	300 V DC	300 V DC
Number of conductors \times conductor cross-section	4 \times 1.5 mm ²	4 \times 1.5 mm ²
Degree of protection as per IEC 60529	IP 68	IP 68
Ambient temperature T_a	-25...+80° C	-25...+80° C

Cable material	Color	Length	Ordering code
PUR	Black	0.6 m	BCC06J2 BCC A314-A314-30-304-PX04A5-006
PUR	Black	2 m	BCC06J3 BCC A314-A314-30-304-PX04A5-020
PUR	Black	5 m	BCC06J4 BCC A314-A314-30-304-PX04A5-050
PUR	Black	10 m	BCC06J5 BCC A314-A314-30-304-PX04A5-100
PUR	Black	15 m	BCC06J6 BCC A314-A314-30-304-PX04A5-150
			BCC06J7 BCC A314-A324-30-304-PX04A5-006
			BCC06J8 BCC A314-A324-30-304-PX04A5-020
			BCC06J9 BCC A314-A324-30-304-PX04A5-050
			BCC06JA BCC A314-A324-30-304-PX04A5-100
			BCC06JC BCC A314-A324-30-304-PX04A5-150

Other cable materials, colors, and lengths on request.

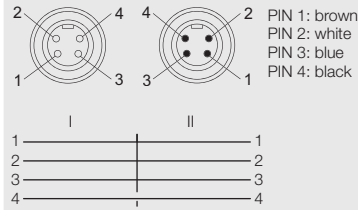
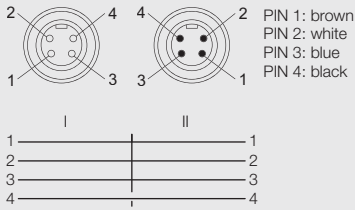


Devicenet

Power connection cables 7/8", 4-pin



- Profibus
- Profinet
- CC-Link
- Devicenet
- Product topology
- IO-Link modules
- Modules
- Bitmaps
- Power cables**
- Power tees
- Power connectors
- Bus cables
- Bus terminating resistor
- Bus tee
- Accessories
- Analyzer
- Ethernet/IP
- Unmanaged switches



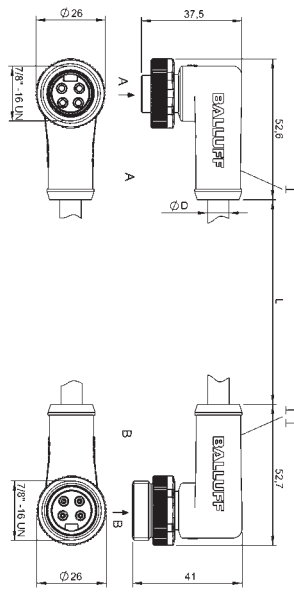
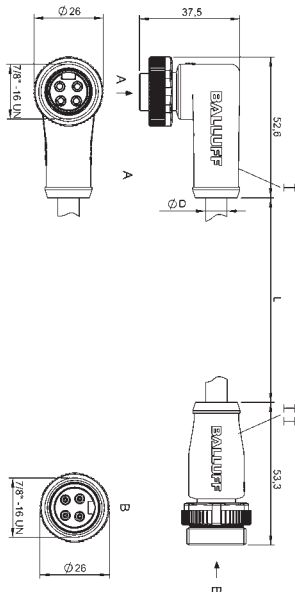
Female/male
300 V DC
4x1.5 mm²
IP 68
-25...+80° C

Female/male
300 V DC
4x1.5 mm²
IP 68
-25...+80° C

Ordering code

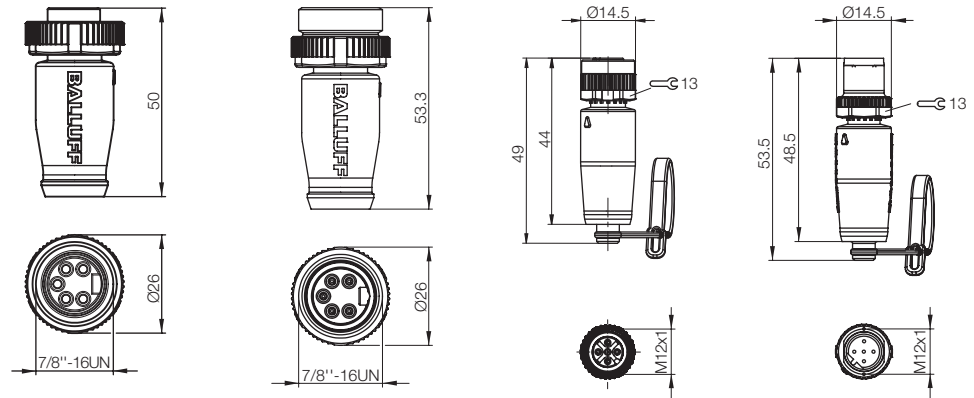
Part number

BCC06JE BCC A324-A314-30-304-PX04A5-006	BCC06JL BCC A324-A324-30-304-PX04A5-006
BCC06JF BCC A324-A314-30-304-PX04A5-020	BCC06JM BCC A324-A324-30-304-PX04A5-020
BCC06JH BCC A324-A314-30-304-PX04A5-050	BCC06JN BCC A324-A324-30-304-PX04A5-050
BCC06JJ BCC A324-A314-30-304-PX04A5-100	BCC06JP BCC A324-A324-30-304-PX04A5-100
BCC06JK BCC A324-A314-30-304-PX04A5-150	BCC06JR BCC A324-A324-30-304-PX04A5-150





Connector diagram and wiring				
Configuration	Female mini size A 7/8"	Male mini size A 7/8"	Female M12	M12 plug
Version	Female standard	Male standard	Female	Male
Type	5-pin DN Mini female	5-pin DN Mini male	5-pin A-coded Micro female	5-pin A-coded Micro male
Without LED	Ordering code BCC0A0A	BCC0A09	BCC0A08	BCC09MR
Part number	BCC A315-0000-1A-R04	BCC A315-0000-2A-R04	BCC M415-0000-1A-R04	BCC M415-0000-2A-R04
Supply voltage U_B	50 V	50 V	10...30 V DC	50 V
Ambient temperature T_a	-25...+80 °C	-25...+80 °C	-40...+85 °C	-40...+85 °C
Degree of protection as per IEC 60529	IP 68	IP 68	IP 68	IP 68
Housing material	Plastic	Plastic	Plastic	Plastic

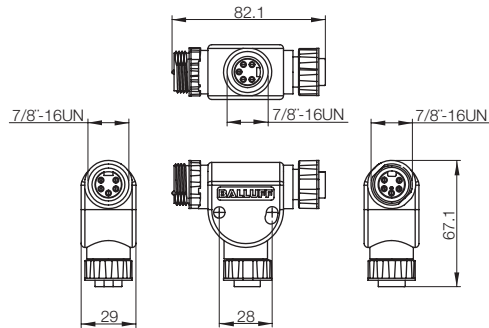


Devicenet Bus tee



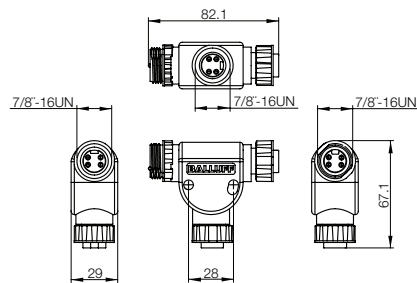
- Profibus
- Profinet
- CC-Link
- Devicenet
- Product topology
- IO-Link modules
- Modules
- Bitmaps
- Power cables
- Power tees
- Power connectors
- Bus cables
- Bus terminating resistor**
- Bus tee**
- Accessories
- Analyzer
- Ethernet/IP
- Unmanaged switches

Connector diagram and wiring		
Configuration	7/8" power distributor	
Version	Standard, 5-pin	
Type	Female/male	
Ordering code	BCC0AA7	
Part number	BCC A315-A315-A315-T0023-000	
Supply voltage U_B	300 V AC	
Degree of protection as per IEC 60529	IP 67	
Ambient temperature T_a	-40...+90 °C	
Housing material	Plastic	





Connector diagram and wiring		
Configuration	7/8" power distributor Mini pass-thru, mini drop	
Version	Female/male, 4-pin mini size A 7/8"	
Type	Female/male	
Ordering code	BCC0AA6	
Part number	BCC A314-A314-A314-T0022-000	
Supply voltage U_b	50 V	
Degree of protection as per IEC 60529	IP 67	
Ambient temperature T_a	-20...+80 °C	
Housing material	TPE	



Devicenet

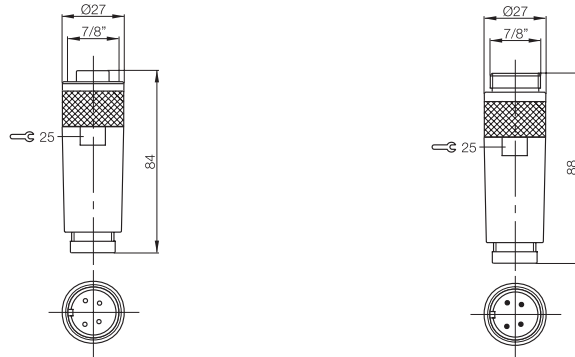
Power plug connector, 7/8", 4-pin



Profibus
 Profinet
 CC-Link
 Devicenet
 Product topology
 IO-Link modules
 Modules
 Bitmaps
 Power cables
Power tees
Power connectors
 Bus cables
 Bus terminating resistor
 Bus tee
 Accessories
 Analyzer
 Ethernet/IP
 Unmanaged switches

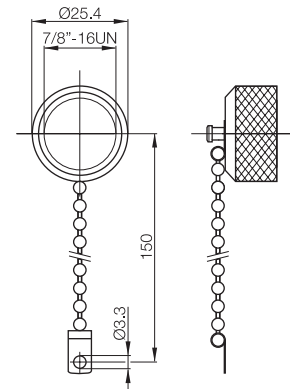
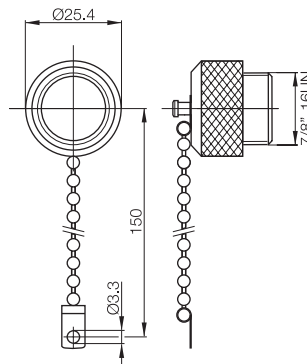
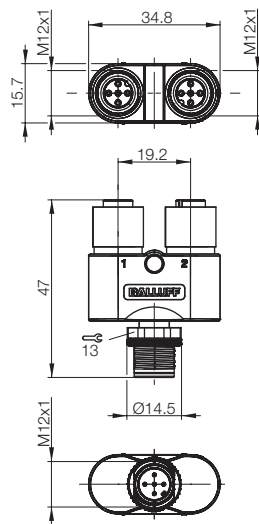
Connector diagram and wiring		
Type	Female	Male
Supply voltage U_b	250 V	250 V
Number of conductors x conductor cross-section	4x max. 1.5 mm ²	4x1.5 mm ²
Degree of protection as per IEC 60529	IP 67	IP 67
Ambient temperature T_a	-25...+80 °C	-25...+80 °C

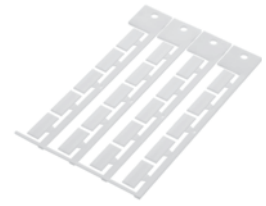
Cable material	Color	Ordering code	
Cable dia.		Part number	
PUR	Black	BCC0706	BCC0709
6...8 mm		BCC A334-0000-10-000-51X4A5-000	BCC A334-0000-20-000-51X4A5-000
PUR	Black	BCC0707	BCC070A
8...10 mm		BCC A334-0000-10-000-61X4A5-000	BCC A334-0000-20-000-61X4A5-000
PUR	Black	BCC0708	BCC070C
10...12 mm		BCC A334-0000-10-000-71X4A5-000	BCC A334-0000-20-000-71X4A5-000





Connector diagram and wiring			
Description	T splitter	Screw plug 7/8"	Screw plug 7/8"
Use	2x M12 female to 1x M12 male	Cover for the power ports	Cover for the power ports
Ordering code	BCC089P	BAM012T	BAM012U
Part number	BCC M415-M415-M415-U0003-000	BKS-7/8-CS-00-A	BKS-7/8-CS-00-I
Supply voltage U_b	125 V		
Rated operating current I_e	4 A		
Degree of protection as per IEC 60529	IP 67		
Ambient temperature T_a	-25...+80 °C	-20...+80 °C	-20...+80 °C
Housing material	PA 6.6 + GF	Nickel-plated CuZn	Nickel-plated CuZn





Profibus
Profinet
CC-Link
Devicenet
Product topology
IO-Link modules
Modules
Bitmaps
Power cables
Power tees
Power connectors
Bus cables
Bus terminating resistor
Bus tee
Accessories
Analyzer
Ethernet/IP
Unmanaged switches

Description	M12 locking screw	Tamperproof cover with 4 openings	Marking sleeve	Label set
Use	IP 65 threaded cover for unused ports		For labeling connectors	Labeling the ports for modules BNI PBS..., BNI PNT..., BNI DNT..., BNI EIP..., BNI CCL...
Ordering code	BAM01C2	BAM01J0		BAM01AT
Part number	BAM CS-XA-002-M12-A	BAM FK-NI-PBS-01-C	BAM IA-CC-002-01	BNI ACC-L01-000
Ambient temperature T _a	-20...+80 °C			
Housing material	Plastic			Plastic

