

BOS 50K – the Best in its Class
The new diffuse sensor with 2 m background suppression



more added value

2000...2000 mm

BOS 50K – the Best in its Class

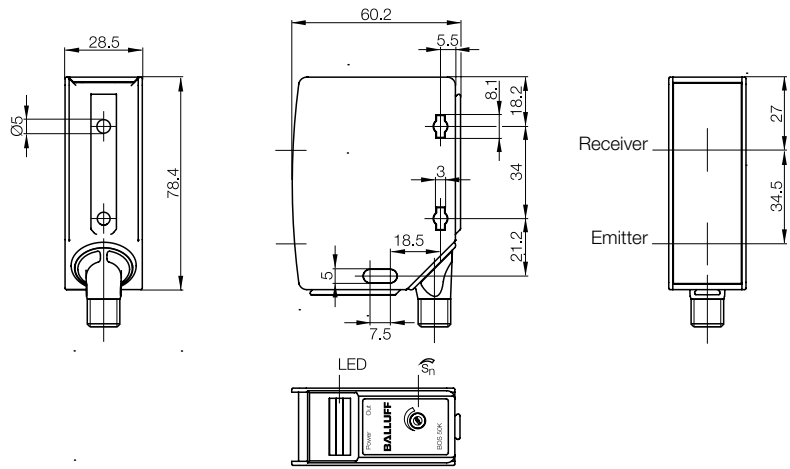
Diffuse sensor with 2 m background suppression

BALLUFF

sensors worldwide

Object detection from safe distances

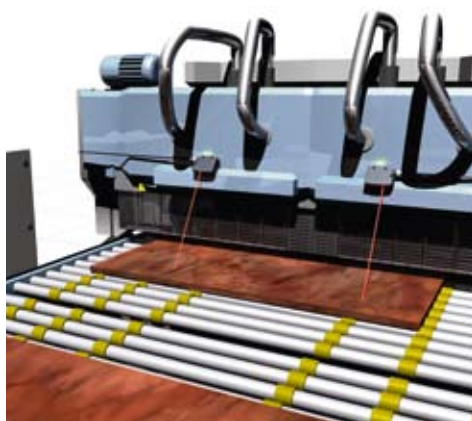
- 2 m background suppression
- Red light
- Compact sizes
- Simple to set up



	BOS 50K-PS-RH12-S4	BOS 50K-PSV-RH12-S4	BOS 50K-POV-RH12-S4	BOS 50K-PA-RH12-S4	BOS 50K-NSV-RH12-S4	BOS 50K-NOV-RH12-S4	BOS 50K-NA-RH12-S4
--	--------------------	---------------------	---------------------	--------------------	---------------------	---------------------	--------------------

Switching output	PNP	■	■	■	■	■	■
	NPN				■	■	■
Switching type	Light-on	■	■		■		
	Dark-on			■		■	
	Light- and dark-on				■		■
Error output			■	■	■	■	■
Connection	M12 connector, 3-pin	■					
	M12 connector, 4-pin		■	■	■	■	■
Range		200...2000 mm					
Light type		Red light					
Calibration		10-turn potentiometer					
Enclosure rating		IP 67					
Housing material		Mod. ABS					
Optical surface		Glass					
Gray value shift		< 10 %					

For additional information go to our Web site at www.balluff.com



Balluff GmbH
 Schurwaldstrasse 9
 73765 Neuhausen a.d.F.
 Germany
 Phone +49 7158 173-0
 Fax +49 7158 5010
balluff@balluff.de
 ■ www.balluff.com