

BALLUFF

sensors worldwide



Industrial RFID Systems BIS U

The right data at the right time at the right place



more added value

Industrial RFID Systems BIS U

Increase quality and productivity



With over 50 years of sensor experience, Balluff is a leading global sensor specialist with its own line of connectivity products for every area of factory automation. Balluff is based in Germany and has a tight international network of 54 representatives and subsidiaries.

Mature technology, individual solutions – more efficiency!
Fully exploit the potential of high quality.

Balluff stands for comprehensive systems from a single source, continuous innovation, the most modern technology, highest quality and greatest reliability and prides itself on distinctive customer orientation, custom-tailored solutions, fast worldwide service and outstanding application assistance.

High-quality, innovative products – certified in accordance with DIN ISO 9001:2008 (EN 29001) – are a secure foundation for optimized value creation for our customers.

Whether electronic and mechanical sensors, rotary and linear transducers, identification systems or optimized connection technology for high-performance automation, Balluff masters not only the entire technological variety with all of the different operating principles, but also provides technology that fulfills regional quality standards and is suitable for use worldwide. Wherever you are in the world, Balluff technology is never far away. You won't have to look far for your nearest Balluff expert.

Balluff products increase performance, quality and productivity around the world every day. They satisfy prerequisites for meeting demands for greater performance and cost reductions on the global market. Even in the most demanding areas. No matter how stringent your requirements may be, Balluff delivers state-of-the-art solutions.



Basic Information and Definitions	4
-----------------------------------	---

BIS U	5
-------	---

Alphanumerical directory	17
Worldwide sales	18



BIS U

more added value

- 100% quality
- High efficiency
- Increased economy

For 100% quality and maximum reliability – even at large distances

The Industrial RFID BIS U ensures flexible communication with fast read/write cycles. Even in highly dynamic applications. The BIS U thereby ensures 100% quality and, with an operating range of up to 6 m, bridges even large distances.

And it does this economically, since BIS U can detect and process multiple data carriers in the same field. Regardless of how you align the data carrier – you are completely flexible with the circularly polarized antenna. Our rugged BIS U systems are simple to integrate into host controller systems: worldwide standards are not only the newest technology, they also bring investment security.

BIS



Basic Information and Definitions

Areas of Application

more added value

- Reliable identification over long distance
- Detection of multiple data carriers in the same field
- Fastest data processing, even in dynamic applications
- More process transparency

Areas of application

Bringing together the material and the corresponding information – that is the challenge in logistics. UHF technology makes an important contribution here. Particularly in conveying systems or in the area of logistics and distribution – in which it is not always possible to reproducibly detect load carriers within a few centimeters of the same location – the use of UHF makes sense. With ranges of up to several meters, they have enough performance reserve to reliably detect individual load carriers even from great distances. Even if the load carriers, i.e. pallets, are packed with multiple objects: UHF technology can be used here to detect and process multiple transponders in the same field. Thus, load carriers can be moved past, e.g., so-called RFID gates and automatically detected via UHF. Without completely unstacking the pallet.

The quantity of data on the transponders plays a secondary role here – in many cases, it is sufficient to uniquely identify the transponder. The assignment takes place in a higher-level database. This simplifies tracking even beyond company boundaries.

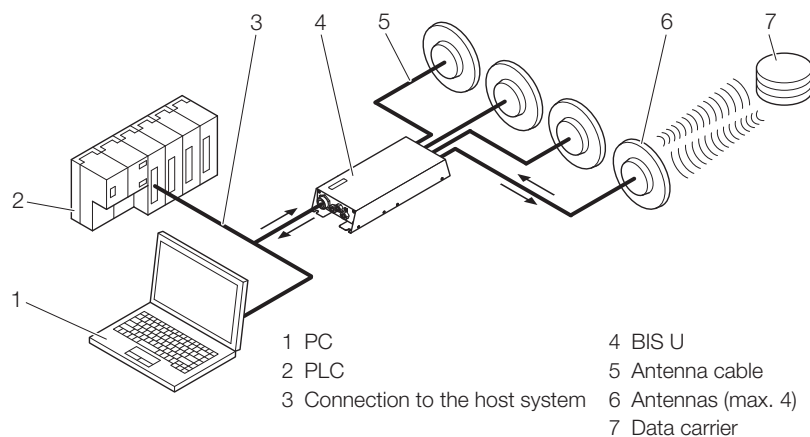
A handbook containing the physical fundamentals, reference antennas and parameters, characteristics of the components and system behavior for the operation of a UHF system is available on our website: www.balluff.com/industrial-rfid

Functional principle Identification systems

The BIS U Identification System is classified as a non-contacting system with read and write function. This allows it to transport not only programmed information that is fixed in the data carrier, but also to collect and pass on current information.

The main components of the BIS U Identification System are:

- Reader
- Antennas
- Data carrier



Industrial RFID Systems BIS U

Tags or Transponders



BIS U

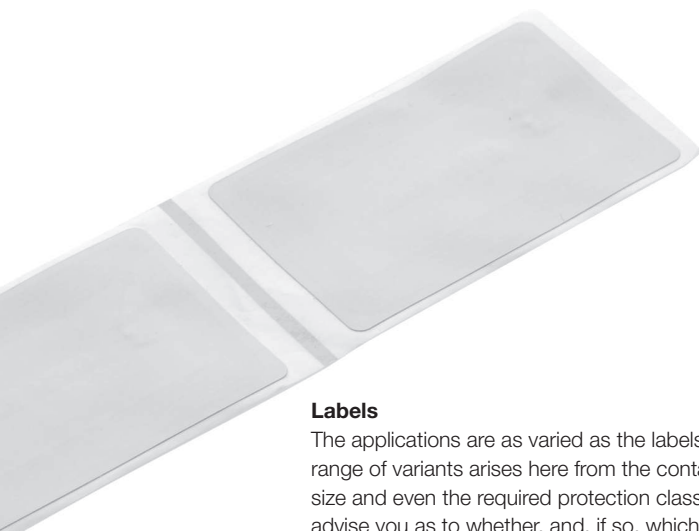
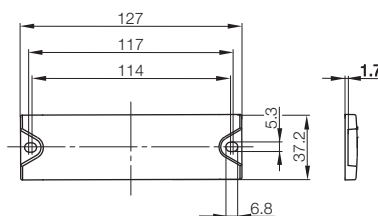
Transponder

- Fast mounting with two holes
- Directly on metal with holder
- Rugged housing for closed-loop applications

Dimensions	127x37.2x7
Housing material	PPS-GF40
Weight	18 g
Ordering code	BIS 00NL
Part number	BIS U-100-01/CA
User data	512 bits
Frequency	840...960 MHz
Insulation class acc. to IEC 60529	IP 67
Memory capacity read/write	96...480 bit EPC
Memory capacity read-only	32-bit ID, 64-bit unique ID
Standards	EPC global™, Class 1, gen 2, ISO 18000-6C
Ambient temperature	-40...+85°C
Storage temperature	-40...+85°C

Tags or Transponders

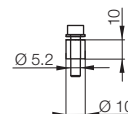
- Antennas
- Accessories – Antennas
- Processors TCP/IP and RS232
- Accessories – Processors
- Handheld
- Configuration Software, Service, Alpha-numerical Directory



Labels

The applications are as varied as the labels that are used. A wide range of variants arises here from the contact surface, the maximum size and even the required protection class. We will be happy to advise you as to whether, and, if so, which labels may be used in your application.

We look forward to hearing from you: tecsupport@balluff.com



Ordering code BAM01LW

Part number BIS Z-SP-003

Fastener set consisting of:
 2 plastic distance rollers
 2 socket cap screws with hexagon socket, ISO4762-M 5X22-8,8-A2B
 2 washers D 125-A 5,3-ST-A2P

Industrial RFID Systems BIS U

Antennas

An important part of the system are the antennas. Together with the transponder, they are largely responsible for the range and the illumination of the application area. The power available to the antenna can be flexibly set via the reader. The frequency range for UHF systems is dependent on the region of use. There are, thus, country-specific variants here as with the readers. Regardless of whether you install the antennas near gates or plan to use them in a conveyor line – the wide range of accessories simplifies integration in all places of use.

Antennas from Balluff stand for

- Simple mounting with standard accessories
- Metal connector for secure connection
- Rugged housing for use where you need it



Dimensions	
Housing material	
Weight	
Ordering code	
Part number	
Frequency range	
Approved radiated power	
Antenna gain	
Antenna impedance	
Connection type	
Degree of protection	
Ambient temperature T_a	
Dispersion angle	



Industrial RFID Systems BIS U Antennas



For USA/Canada!
902...928 MHz



For Europe!
865...868 MHz

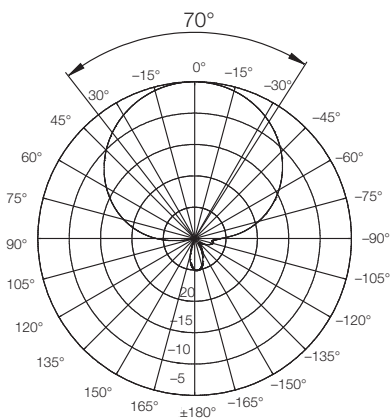
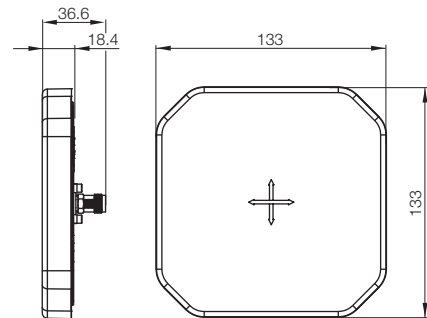
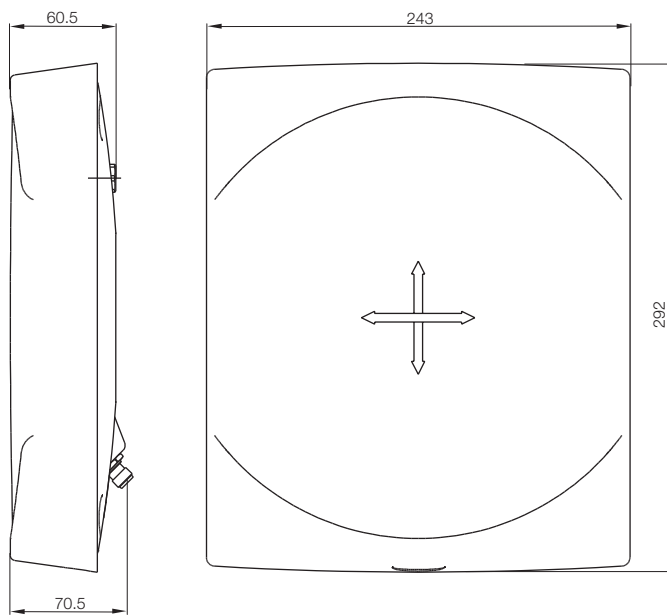


For Europe!
865...868 MHz

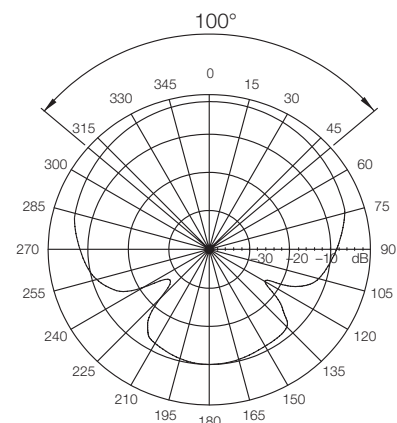
BIS U

292x243x60.5	292x243x60.5	133x133x18.4
PS	PS	PC
960 g	960 g	365 g
BIS00MC	BIS00MH	BIS00PO
BIS U-300-C1-TNCB	BIS U-300-C0-TNCB	BIS U-301-C0-TNCB
902...928 MHz	865...868 MHz	865...868 MHz
< 2 W ERP ETSI EN 302208	< 2 W ERP ETSI EN 302208	< 0.5 W ERP ETSI EN 302208
8.4 dBic	8.4 dBic	5.5 dBic
50 Ω	50 Ω	50 Ω
TNC socket	TNC socket	TNC socket
IP 54 (with connector)	IP 54 (with connector)	IP 67 (with connector)
-25...+55°C	-25...+55°C	-30...+70°C
68° vertical, 70° horizontal	68° vertical, 70° horizontal	100° vertical, 100° horizontal

Tags or Transponders
Antennas
Accessories – Antennas
Processors TCP/IP and RS232
Accessories – Processors
Handheld
Configuration Software, Service, Alpha-numerical Directory



Radiation pattern, horizontal

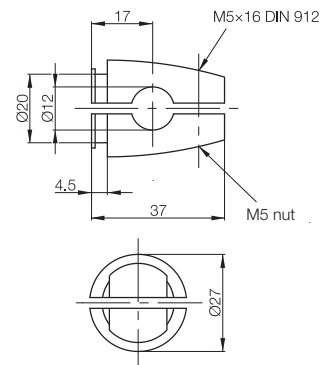


Industrial RFID Systems BIS U

Accessories – Antennas



Description	Clamping cylinder	
Type	For 1 mounting rod Ø 12 mm	
Version		
Ordering code	BAM0031	
Part number	BMS CS-M-D12-IZ	
Material	GD-Zn	



Antenna

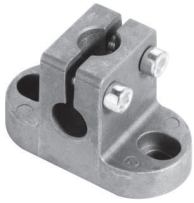
Mounting bracket

Adjustment head

Support bar

Base holder

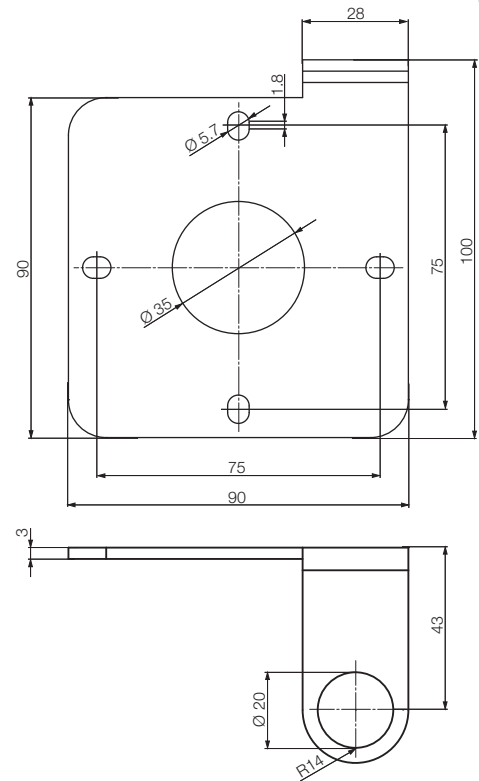
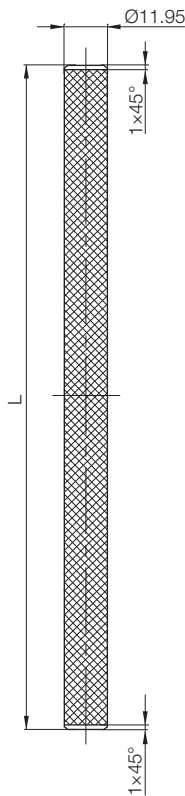
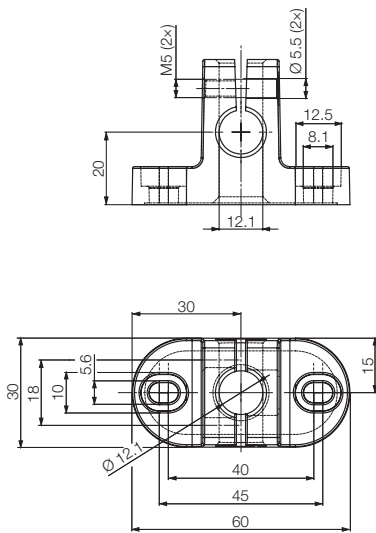




Base holder For 1 mounting rod \varnothing 12 mm (vertical or horizontal) For mounting on base plates or profiles	Mounting rod \varnothing 12 mm Knurled, length 150 mm	Antenna holder for BIS U-300...TNCB BIS U-301...TNCB
BAM002W	BAM002R	BAM01JK
BMS CU-M-D12-A040-00	BMS RS-M-D12-0150-00	BIS Z-HW-003
Al anodized	Al anodized	V4A (1.4571)

Tags or Transponders
Antennas
Accessories – Antennas
Processors TCP/IP and RS232
Accessories – Processors
Handheld
Configuration Software, Service, Alpha-numerical Directory

The mounting rods are knurled full-length.
This prevents any position change.



You can find additional information on the topic of accessories in our Accessories Program catalog or online at www.balluff.com

Industrial RFID Systems BIS U

Processors BIS U-602_... TCP/IP and RS232

- Simple mounting with standard accessories
- Metal connector for secure connection
- Rugged housing for use where you need it

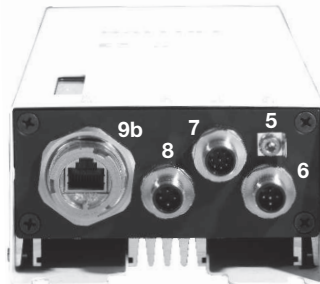
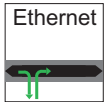
4 antennas on top



RS232 interface



Ethernet TCP/IP interface



- 1 Antenna port 1
- 2 Antenna port 2
- 3 Antenna port 3
- 4 Antenna port 4
- 5 Function ground FE
- 6 X1 power supply
- 7 X2 control inputs / outputs
I/O ports for additional functionality
- 8 X3 RS232 service interface
- 9a X4 application interface - RS232 variant
- 9b X4 application interface - TCP/IP variant

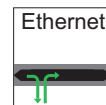
Ordering example:

BIS U-602_0_ - - 4-0_-ST2_

Hardware type	Software type	Antenna socket version	Interface	Customer connection
0 serial interface RS232	53 RS232 54 Ethernet TCP/IP	10 Country setting 865...868 MHz Europe 11 Country setting 902...928 MHz USA/Canada	0 RS232 6 Ethernet	6 for serial device 7 for TCP/IP device

Industrial RFID Systems BIS U

Processors BIS U-602_... TCP/IP and RS232



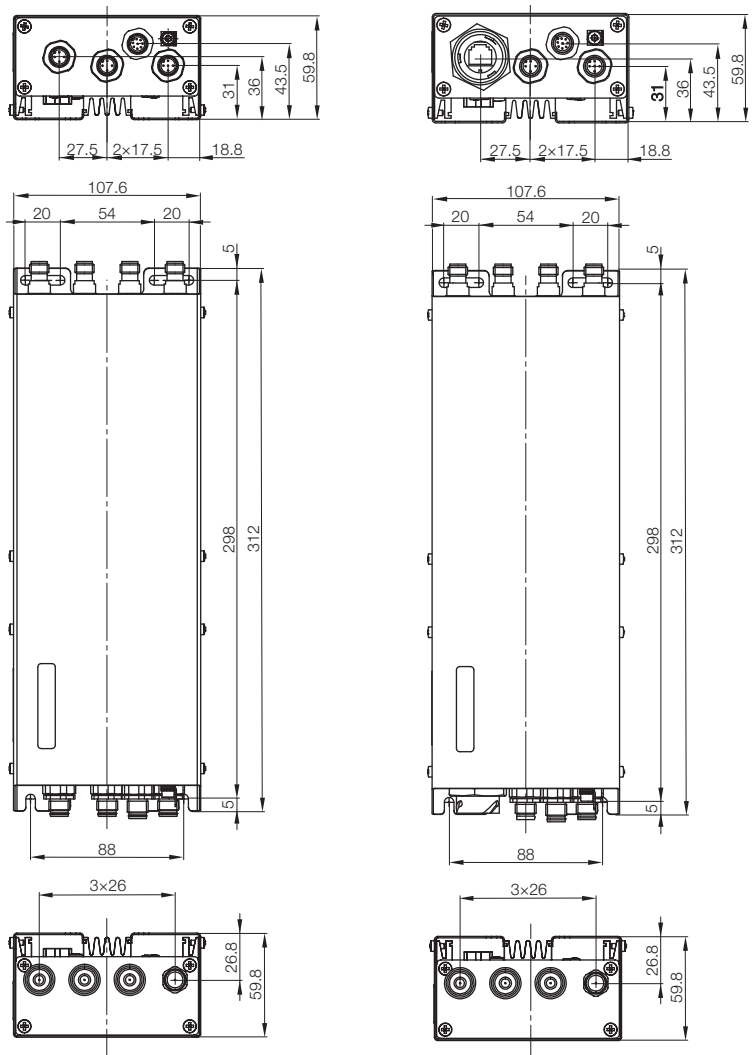
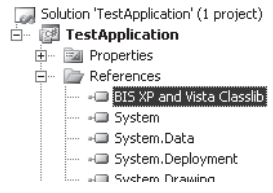
Tags or Transponders
Antennas
Accessories – Antennas
Processors TCP/IP and RS232
Accessories – Processors
Handheld
Configuration Software, Service, Alpha-numerical Directory

Function		Read/write	Read/write
Housing material		AlMgSi 0.5	AlMgSi 0.5
Weight		2100 g	2100 g
For Europe!			
Frequency range	Ordering code	BIS00M7	BIS00NA
865...868 MHz	Part number	BIS U-6020-053-104-00-ST26	BIS U-6027-054-104-06-ST27
For USA/Canada!			
Frequency range	Ordering code	BIS00R2	BIS00R1
902...928 MHz	Part number	BIS U-6020-053-114-00-ST26	BIS U-6027-054-114-06-ST27
Operating voltage		24 V DC ± 20 %	24 V DC ± 20 %
Ripple		≤ 10 %	≤ 10 %
Current consumption at 24 V DC		≤ 1 A	≤ 1 A
X3 service interface		RS232	RS232
X4 application interface		RS232	Ethernet
Characteristic impedance of antenna ports		50 Ω	50 Ω
Adjustable power at the antenna ports		17...30 dBm (50 mW...1 W)	17...30 dBm (50 mW...1 W)
X1 power supply		V _s 24 V DC: panel connector M12, 5-pole	V _s 24 V DC: panel connector M12, 5-pole
X2 control inputs / control outputs		M12 panel connector, 8-pin	M12 panel connector, 8-pin
X3 service interface		M12 panel connector, 4-pin	M12 panel connector, 4-pin
X4 application interface		M12 panel connector, 4-pin (BIS U-6020)	Bayonet connector RJ45 (BIS U-6027)
Antenna ports 1 - 4		Antenna socket R-TNC	Antenna socket R-TNC
Degree of protection per IEC 60529		IP 65	IP 65

- Included in the scope of delivery:
- BIS U-602_
 - 5x closure cap
 - BIS Software-CD
 - Condensed manual in printed form (DE/EN)

Accessories (please order separately)
DLL for integrating the protocol in PC-based controller or evaluation unit.

Ordering code BAE00F2
Part number BIS-Z-SW-UHF-DLL



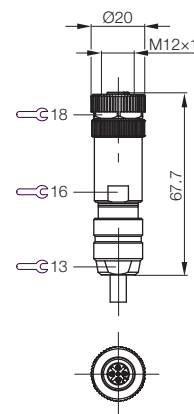
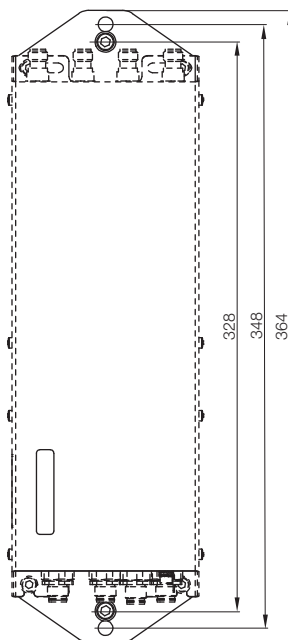
Industrial RFID Systems BIS U

Accessories – Processors BIS U-602_...



Description	Fastening plate		
Type		5-pin, female	
Version		for connecting to processors supply voltage	
Ordering code	BAM01KN	BCC06ZN	
Part number	BIS Z-HW-004	BCC M475-0000-1A-000-01X575-000	
Ordering code			
Part number			
Ordering code			
Part number			
Ordering code			
Part number			
Connector		M12 - field-attachable	
Cable diameter		5...8 mm	
Conductor cross section		0.14 mm ² ...0.75 mm ²	
Degree of protection per IEC 60529		IP 67	
Ambient temperature		-25...+85 °C	
Cable			
Surge impedance			

For mounting on profile rail, steel screw connection.



- Included for mounting are:
- 2 BIS Z-HW-004 retaining plates
 - 4 socket cap screws with hexagon socket M5×10 DIN 912, A2, 8.8
 - 2 socket cap screws with hexagon socket M6×12 DIN 912, A2, 8.8
 - 4 washers 5 DIN 125, A2
 - 2 washers 6 DIN 125, A2

Industrial RFID Systems BIS U

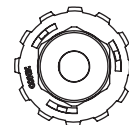
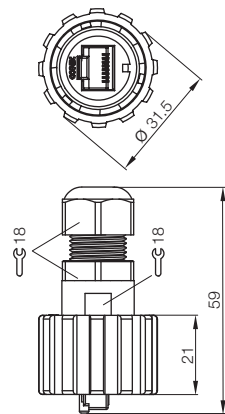
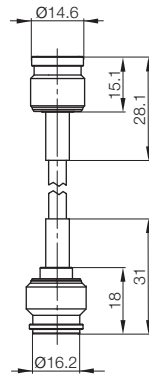
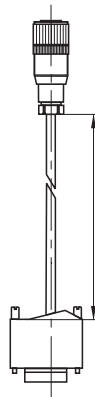
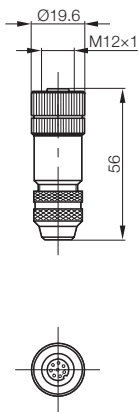
Accessories – Processors BIS U-602_...



BIS U

		Adapter cable	Connection cable	RJ45 coupling
	8-pin, female for connecting to processors RS232 service interface	for connecting to processors BIS U-6020-053-104-00-ST26 BIS U-6027-054-104-06-ST27	for connecting to processors and antenna	for Ethernet TCP/IP
	BCC00YA	BCC00PL	BAM01HL	BCC09N2
	BKS-S115-00	BIS-C-522-PVC-02	BIS U-500-EF-01	BCC E878-0000-Z1-41X8T4
			BAM01HM	
			BIS U-500-EF-02	
			BAM01HN	
			BIS U-500-EF-05	
			BAM01HP	
			BIS U-500-EF-10	
	M12 6...8 mm	Serial interface RS232 to PC 5.8 mm	TNC connector 7/16"	4.58 mm
	IP 67 -40...+85 °C	IP 67 -5...+80 °C PVC	5 mm 0.94 mm IP 68 -40...+85°C FRPE 50 Ω	IP 67 -20...+60°C

Tags or Transponders
Antennas
Accessories – Antennas
Processors TCP/IP and RS232
Accessories – Processors
Handheld
Configuration Software, Service, Alpha-numerical Directory



Crimping tool for RJ45 connector 11030273

Industrial RFID Systems BIS U

Handheld

For enhanced operating convenience

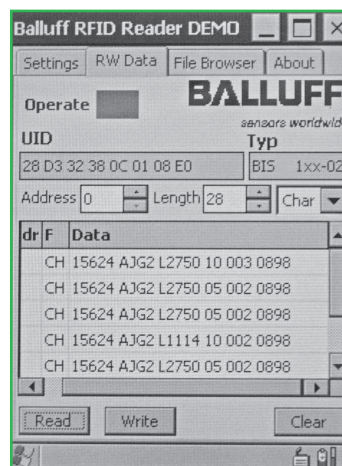
For portable writing and reading BIS-U-transponders.

Easy operation thanks to

- Touchscreen with large color display
- Windows CE®
- Preinstalled Balluff software and keyboard or stylus.

Ideal even for poor light conditions and harsh environments! Data transfer via optional WLAN, Bluetooth or wired USB. The handheld is also modular for expandability.

Handheld Standard
BIS U-870-1-008-X-000
including charger and
stylus



Industrial RFID Systems BIS U Handheld

Function	Read/write
Housing material	ABS
Weight	585 g
Ordering code	BAE00EE
Part number	BIS U-870-1-008-X-000
Indicator	TFT touchscreen display
Power supply	3.7 V rechargeable battery pack
Capacity	4000 mA/h
Interface	Bluetooth
Operating temperature	-10...+50°C
Degree of protection per IEC 60529	IP 65
Accessories	Charging power supply and stylus
Order accessories separately	Docking station and pistol grip

BIS U

Tags or Transponders
Antennas
Accessories – Antennas
Processors TCP/IP and RS232
Accessories – Processors
Handheld
Configuration Software, Service, Alpha-numerical Directory

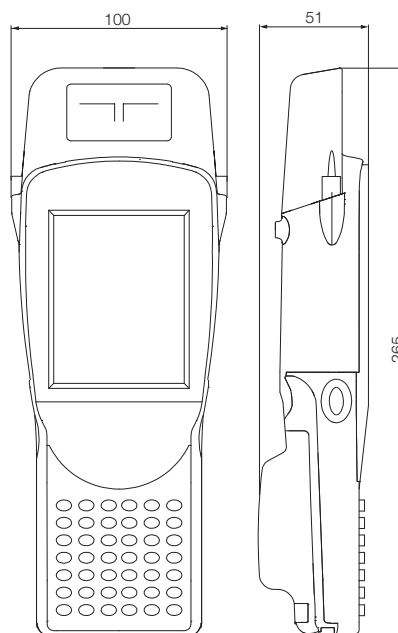


- PSION-based UHF handheld
- Windows CE®
- Touchscreen
- Delivered with software development kit (SDK)
- Includes charger and stylus
- Bluetooth "on-board"

Optional

- WLAN
- Handle
- 1D/2D barcode reader
- Docking station

Customer-specific software on request:
tecsupport@balluff.com



Additional convenience

A pistol grip is provided for ergonomic comfort.



Docking station with power supply 11023834

Pistol grip 11023836

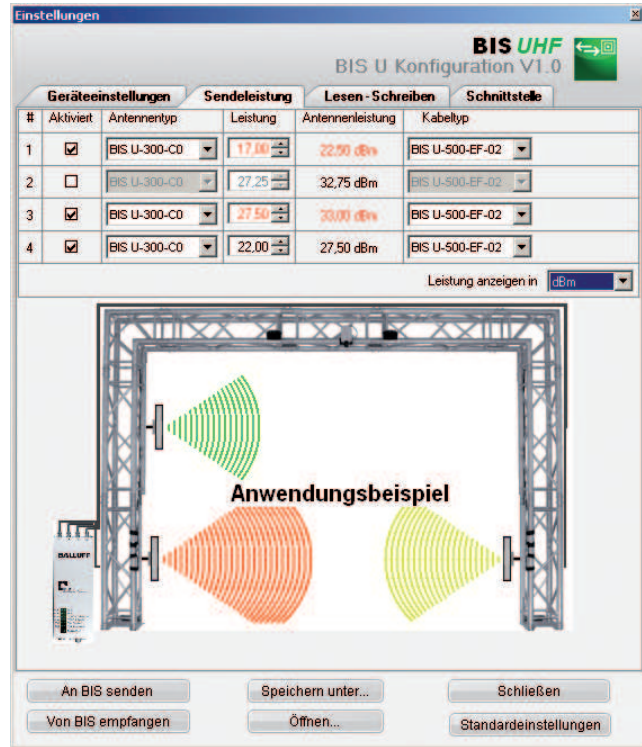
Industrial RFID Systems BIS U

Configuration Software

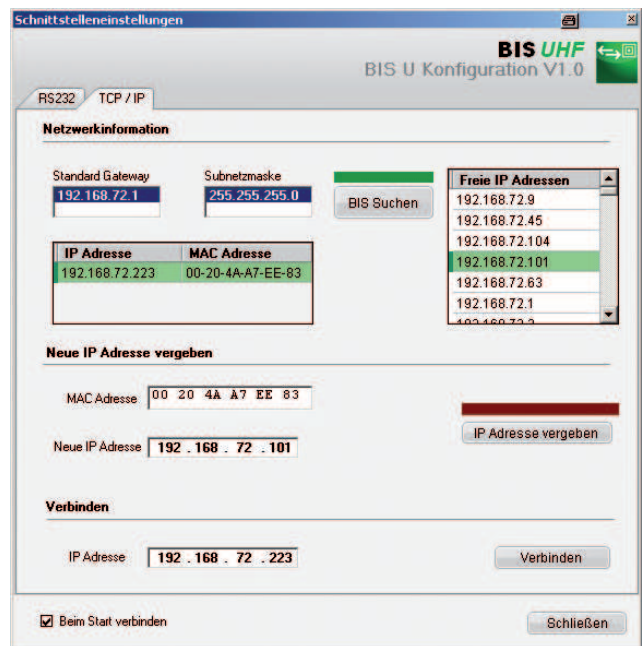
Parameters are configured using the "BIS UHF Manager" software. One requirement is that the processor is connected to the controlling system. The parameter settings can be overwritten at any time. The parameters can be saved in an XML file so that they can be retrieved whenever needed.

Example applications

Setting the transmission power and dependency on the used antenna



The BIS U-6027 processor and the controlling system communicate via Ethernet. Assigning a unique IP address associates the processor with a network.



→ Step 1 Preliminary

Description of the installation conditions and physical characteristics:

- Mechanical installation
- Power limits
- Ambient parameters
- Detection type
- Transponder types
- Stationary/mobile read/write devices

→ Step 2 Feasibility

- Project description and definition of objectives
- Type and characteristics of the solution
- Where are the weak points
- Selection of system components

→ Step 3 Solution suggestion

- Preparation of samples and test settings
- Testing of RFID technology in the actual environment
- Performance comparison of various applications

→ Step 4 Project coaching

- Control of system integrators
- Support in all launch phases
- Project documentation and knowledge integration
- User training

We assist you in finding a solution to your RFID task with short decision paths and personal contacts – from design to implementation. The objectives and chances of success of your RFID identification task are objectively analyzed and the system design refined.

The RFID system components are then selected. The solution design phase is concluded with a temporary test setup on-site on the system. You thereby receive valuable information for RFID use in your environment and are then able to perform a realistic ROI assessment.



We are happy to help!

Tel. +49 7158 173-401
+49 7158 173-727
E-mail: TecSupport@balluff.de

BIS U

Tags or Transponders
Antennas
Accessories – Antennas
Processors TCP/IP and RS232
Accessories – Processors
Handheld
Configuration Software, Service, Alphanumerical Directory

Alphanumerical Directory

Part number	Ordering code	Page
BCC E878-0000-Z1-41X8T4	BCC09N2	13
BCC M475-0000-1A-000-01X575-000	BCC06ZN	12
BIS U-100-01/CA	BIS00NL	5
BIS U-300-C0-TNCB	BIS00MH	7
BIS U-300-C1-TNCB	BIS00MC	7
BIS U-301-C0-TNCB	BIS00P0	7
BIS U-500-EF-01	BAM01HL	13
BIS U-500-EF-02	BAM01HM	13
BIS U-500-EF-05	BAM01HN	13
BIS U-500-EF-10	BAM01HP	13
BIS U-6020-053-104-00-ST26	BIS00M7	11
BIS U-6020-053-114-00-ST26	BIS00R2	11
BIS U-6027-054-104-06-ST27	BIS00NA	11
BIS U-6027-054-114-06-ST27	BIS00R1	11
BIS U-870-01-008-x-000	BAE00EE	15
BIS Z-HW-003	BAM01JK	9
BIS Z-HW-004	BAM01KN	12
BIS Z-SP-003	BAM01LW	5
BIS-C-522-PVC-02	BCC00PL	13
BIS-Z-SW-UHF-DLL	BAE00F2	11
BKS-S115-00	BCC00YA	13
BMS CS-M-D12-IZ	BAM0031	8
BMS CU-M-D12-A040-00	BAM002W	9
BMS RS-M-D12-0150-00	BAM002R	9

Headquarters

Germany

Balluff GmbH
Schurwaldstrasse 9
73765 Neuhausen a.d.F.
Phone: +49 7158 173-0
Fax +49 7158 5010
balluff@balluff.com

Subsidiaries and Representatives

Argentina

Nortécnica S.R.L.
103 – Heredia 638
B1672BKD
Villa Lynch – San Martín
Pcia. de Buenos Aires
Phone +54 11 47573129
Fax +54 11 47571088
info@nortecnica.com.ar

Australia

Balluff-Leuze Pty. Ltd.
12 Burton Court
Bayswater VIC 3153
Phone +61 397 204100
Fax +61 397 382677
sales@balluff.com.au

Austria

Balluff GmbH
Industriestraße B16
2345 Brunn am Gebirge
Tel. +43 2236 32521-0
Fax +43 2236 32521-46
sensor@balluff.at

Belarus

Automaticcentre OOO.
Nezavisimosti Av. 185,
Block 19, Office 3
220125 Minsk
Phone +375 17 2181713
Fax +375 17 2181798
balluff@nsys.by

Belgium

Balluff bvba
Researchpark Haasrode 1820
Interleuvenlaan 62,
3001 Leuven
Phone +32 16 397800
Fax +32 16 397809
info.be@balluff.be

Brazil

Balluff Controles
Elétricos Ltda.
Rua Francisco Foga, 25
Distrito Industrial
CEP 13280.000
Vinhedo – Sao Paulo
Phone +55 19 38769999
Fax +55 19 38769990
balluff@balluff.com.br

Bulgaria

BPS AG
41, Nedelcho Bonchev St.
1528 Sofia
Phone +359 2 9609875
Fax +359 2 9609896
bps@bps.bg

Canada

Balluff Canada Inc.
2840 Argentinia Road, Unit 2
Mississauga, Ontario L5N 8G4
Phone 905 816-1494
Toll-free 1-800-927-9654
Fax 905 816-1411
balluff.canada@balluff.ca

Chile

Balluff Controles
Eléctricos Ltda.,
Brazil

China

Balluff (Shanghai) Trading Co. Ltd.
Room 1006, Pujian Road 145,
Shanghai 200127
Phone +86 21 5089 9970
Fax +86 21 5089 9975
info@balluff.com.cn

Columbia

Balluff Controles
Eléctricos Ltda.,
Brazil

Croatia

HSTEC d.d.
Zagrebacka 100
23000 Zadar
Phone +385 23 205-405
Fax +385 23 205-406
info@hstec.hr

Czech Republic

Balluff CZ, s.r.o
Pelušková 1400
198 00 Praha 9 – Kyje
Phone +420 281 000 666
Fax +420 281 940066
obchod@balluff.cz

Denmark

Balluff ApS
Åbogade 15
8200 Århus N
Phone +45 70 234929
Fax +45 70 234930
info.dk@balluff.dk

Egypt

EGEC
24 St., 302 Taksym El Kodah-smouha,
First Floor, Department 1
Alexandria
Phone +20 3 4299771
Fax +20 3 4261773
info@egecgroup.com

Finland

Murri Oy
Koukkukatu 1
15700 Lahti
Phone +358 3 8824000
Fax +358 3 8824040
myynti@murri.fi

France

Balluff SAS
ZI Nord de Torcy-Bat 3
Rue des Tanneurs – BP 48
77201 Marne La Vallée Cedex 1
Phone +33 1 64111990
Fax +33 1 64111991
info.fr@balluff.fr

Greece

S. NAZOS S.A.
10 KLM Thessalonikis-Kilkis
P.O. Box 57008
Thessaloniki
Phone +30 2310 462120
Fax +30 2310 474079
parasxos@nazos.gr

Hong Kong

Sensortech Company
No. 43, 18th Street
Hong Lok Yuen,
Tai Po, NT
Phone +852 26510188
Fax +852 26510388
sensortech@netvigator.com

Hungary

Balluff Elektronika Kft.
Pápai út. 55.
8200 Veszprém
Phone +36 88 421808
Fax +36 88 423439
saleshu@balluff.hu

Iceland

Smith & Norland
Nóatúni 4
105 Reykjavik
Phone +354 520 3000
Fax +354 520 3011
olaf@sminor.is

India

Balluff India
405 Raikar Chambers
Deonar Village Road,
Govandi, Mumbai 400088
Phone +91 22 25568097
Fax +91 22 25560871
olaf@balluff.co.in

Indonesia

PT. Multiguna Cemerlang
Bumi Serpong Damai Sektor XI
Multipurpose Industrial Building
Block H 3-31
Serpong Tangerang
15314 Banten
Phone +62 21 75875555
Fax +62 21 75875678
sales_bsd@multigunacemerlang.com

Israel

Ancitech Ltd.
19, Hamashbir St.
Industrial Zone Holon
58853 Holon
Phone +972 3 5568351
Fax +972 3 5569278
nissim@ancitech.com

Italy

Balluff Automation S.R.L.
Via Morandi 4
10095 Grugliasco, Torino
Phone +39 11 3150711
Fax +39 11 3170140
info.italy@balluff.it

Japan

Balluff Co., Ltd.
Ishikawa Bldg. 2nd Fl.
1-5-5 Yanagibashi, Taito-Ku
Tokyo 111-0052
Tel. +81 03 5833-5440
Fax +81 03 5833-5441
info.jp@balluff.jp

Kazakhstan

elcos electric control systems
2A, Molodezhniy Str. 3D
Block O., Offices 318-319
050061 Almaty
Phone +7 727 3340536
Fax +7 727 3340539
info@elcos.kz

Lithuania

UAB Interautomatika
Kęstučio 47
08127 Vilnius
Phone +370 5 2607810
Fax +370 5 2411464
andrius@interautomatika.lt

Malaysia

Profacto Solution & Services Sdn. Bhd.
No. 23-1 Jalan Bandar Empat Balas
Pusat Bandar Puchong,
47100 Puchong, Selangor
Phone +60 35882 2684
Fax +60 35882 2685
ckkkkyong@streamyx.com

Team Automation Systems (M) Sdn. Bhd.
No. 94-B, Jalan Raja Uda
Butterworth, Penang
Phone +60 4 3102888
Fax +60 4 3102889
sales-pg@teamtas.com.my

Mexico

Balluff de México S.A. de C.V.
Prol. Av. Luis M. Vega #109
Col. Ampliación Cinmatario
C.P. 76030
Queretaro, Qro.
Phone +52 442 2124882
Fax +52 442 2140536
balluff.mexico@balluff.com

Netherlands

Balluff B.V.
Kempenlandstraat 11H
5262 GK Vught
Phone +31 73 6579702
Fax +31 73 6579786
info.nl@balluff.nl

New Zealand

Balluff-Leuze Pty. Ltd.,
Australia

Norway

Primatec as
Lillesandsveien 44
4877 Grimstad
Phone +47 37 258700
Fax +47 37 258710
post@primatec.no

Philippines

Technorand Sales Corporation
803 Wilshire Annapolis Plaza,
No. 11 Annapolis Street,
San Juan, Metro Manila 1500
Phone +63 2 7245006
Fax +63 2 7245010
technorand@gmail.com

Poland

Balluff Sp. z o.o.
Ul. Muchoborska 16
54-424 Wrocław
Phone +48 71 3384929
Fax +48 71 3384930
balluff@balluff.pl

Portugal

LA2P Lda.
Rua Teófilo Braga, 156 A
Escrit. F – Edifício S. Domingos
Cabeco Do Mouro
2785-122 S. Domingos De Rana
Phone +351 21 4447070
Fax +351 21 4447075
la2p@la2p.pt

Romania

East Electric s.r.l.
256 Basarabia Blvd.
030352 Bucuresti
Phone +40 31 4016301
Fax +40 31 4016302
office@eastelectric.ro

Worldwide Sales

Russia

Balluff OOO
M. Kaluzhskaja Street 15
Building 17, Office 500
119071 Moscow
Phone +7 495 78071-94
Fax +7 495 78071-97
balluff@balluff.ru

Serbia

ENEL d.o.o.
Ul. Vasija Pavlovica 10
14000 Valjevo
Phone +381 14 291161
Fax +381 14 244641
enelvaljevo@gmail.com

Singapore

Balluff Asia Pte. Ltd.
BLK 1004 Toa Payoh
Ind. Park
Lorong 8, #03-1489
Singapore 319076
Phone +65 62524384
Fax +65 62529060
balluff@balluff.com.sg

Slovakia

Balluff Slovakia s.r.o.
Blagoevova 9
85104 Bratislava
Phone +421 2 67200062
Fax +421 2 67200060
info@balluff.sk

Slovenia

Senzorji SB d.o.o.,
Proizvodnja,
trgovina in storitve d.o.o.
Livadna ulica 1
2204 Miklavž na Dravskem polju
Phone +386 2 6290300
Fax +386 2 6290302
senzorji.sb@siol.net

South Africa

PAL Distributers CC
291A Pine Avenue, Ferndale
Randburg, Gauteng
Phone +27 11 7814381
Fax +27 11 7818166
pal@polka.co.za

South Korea

Mahani Electric Co. Ltd.
792-7 Yeoksam-Dong
Kangnam-Gu, Seoul
Post code: 135-080
Phone +82 2 21943300
Fax +82 2 21943397
yskim@balluff.co.kr

Spain

Balluff S.L.
Edificio Forum SCV
Planta 5°, Oficina 4°
Carretera Sant Cugat a Rubi
Km01, 40-50
08190 Sant Cugat del Vallés
Barcelona
Phone +34 93 5441313
Fax +34 93 5441312
info.es@balluff.es

Sweden

Balluff AB
Gamlestadsvägen 2, B19
41502 Göteborg
Phone +46 31 3408630
Fax +46 31 3409431
info.se@balluff.se

Switzerland

Balluff Sensortechnik AG
Riedstrasse 6
8953 Dietikon
Phone +41 43 3223240
Fax +41 43 3223241
sensortechnik@balluff.ch

Taiwan

Canaan Electric Corp.
6F-5, No. 63 Sec. 2
Chang An East Road
10455 Taipei
Phone +886 22 5082331
Fax +886 22 5084744
sales@canaan-elec.com.tw

Thailand

Compomax Co. Ltd.
16 Soi Ekamai 4,
Sukhumvit 63 Rd.
Prakanongnua, Vadhana,
Bangkok 10110
Phone +66 2 7269595
Fax +66 2 7269800
info@compomax.co.th

Turkey

Balluff Sensor Otomasyon
Sanayi Ve Ticaret Ltd. Sti.
Perpa Ticaret Is Merkezi
A Blok, Kat 1-2-3
No: 0013-0014
34381 Okmeydani/Istanbul
Phone +90 212 3200411
Fax +90 212 3200416
balluff@balluff.com.tr

Ukraine

Micronlogistik Ltd.
Ul. Promyischlennaya Street 37
65031 Odessa
Phone +380 48 7781278
Fax +380 48 2358760
info@balluff-ua.com

United Arab Emirates

Multiline Technical Co.
TCA, behind ADCB Bank
46530 Abu Dhabi
Phone +971 2 6457760
Fax +971 2 6459761
multiline@emirates.net.ae

United Kingdom and Ireland

Balluff Ltd.
4 Oakwater Avenue
Cheadle Royal Business Park
Cheadle, Cheshire SK8 3SR
Phone +44 161 282-4700
Fax +44 161 282-4701
sales@balluff.co.uk

USA

Balluff Inc.
8125 Holton Drive
Florence, KY 41042-0937
Phone +1 859 727-2200,
Toll-free 1-800-543-8390
Fax +1 859 727-4823
balluff@balluff.com

Venezuela

Balluff Controles
Eléctricos Ltda.,
Brazil





Object Detection

Inductive sensors BES, cylinder sensors BMF, magnetic field sensors BMF, capacitive sensors BCS for object detection, ultrasonic sensors BUS for object detection, photoelectric sensors BOS, fiber optic devices BFB, fiber optics BFO, angle sensors BWL, through-beam fork sensors BGL, optical window sensors BOW, light grids BLG, contrast sensors BKT, luminescence sensors BLT, color sensors BFS, mechanical and inductive single and multiple position switches BNS



Linear Position Sensing

Micropulse® transducers BTL, magnetic linear encoder system BML, incremental encoders BDG, absolute encoders BRG, inductive displacement system BIW, inductive positioning system BIP, inductive distance sensors BAW, magnetoinductive distance sensors BIL, capacitive distance sensors BCW, photoelectric distance sensors BOD, ultrasonic sensors BUS for analog distance measurement



Fluid Sensors

Pressure sensors BSP, capacitive sensors BCS for level detection



Industrial Identification

Industrial RFID systems BIS, vision sensors BVS



Industrial Networking and Connectivity

Connectors and connection cables BCC, valve connectors BCC, passive splitter boxes BPI, active splitter boxes BNI, IO-Link, bus systems (Profibus, Profinet, CC-Link, DeviceNet, EtherNet), inductive couplers BIC, wireless systems BWT, power supplies BAE, electrical devices BAE



Accessories

Brackets and mountings, assembly system BMS

Balluff GmbH
Schurwaldstrasse 9
73765 Neuhausen a.d.F.
Germany
Phone +49 7158 173-0
Fax +49 7158 5010
balluff@balluff.com

