

BOS 18M-PA-1PD-E5-C-S 4

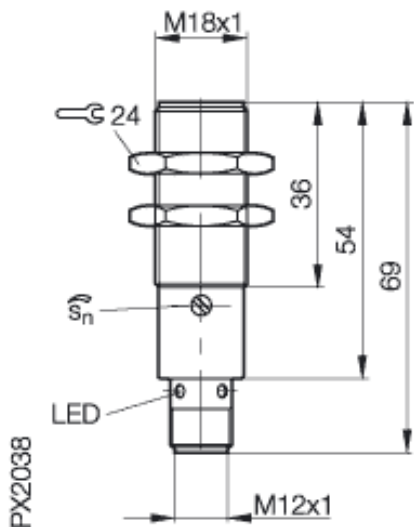
Photoelectric Sensors,

Diffuse

PNP
NO/NC

BALLUFF

sensors worldwide



Electrical data:

Connection	connector S4 (M12)
Rated insulation voltage (Ui)	75 DC
Load capacitance max	0,3 µF
Switching output	PNP
Switching element function	NO/NC
Operating frequency (f)	100 Hz
supply current I _o max. at U _e	20 mA
Off Time delay	5 ms
On Time delay	5 ms
Rated operational voltage min.	10 V
Rated operational voltage max.	30 V
Ripple incl.	max. 10% from UB
Voltage drop U _d max. at I _e	2,5 V
noload supply cur. emitter max	20 mA
noload supply current rec. max	20 mA
Switching frequ. standard beam	100 Hz
On Time delay (standard beam)	5 ms
Off time delay (standard beam)	5 ms

Mechanical data:

Surface treatment	nickel plated
Ambient temperature max	55 °C
Ambient temperature min	-5 °C
Sensing face material	PMMA
Housing material	nickel-plated brass
sensitivity adjustment	Potentiometer
Range max.	400 mm
Version	M18x1
adjusting operating dist.	Potentiometer

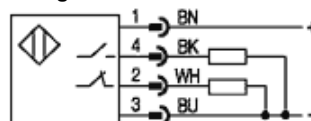
Optical data:

Emitter type	Infrared
permissible ambient light	5000

General data:

Supply voltage indication	no
Function indication	yes
Degree of protection IP	IP 67
Polarity reversal resistant	yes
sensitivity adjustment	Potentiometer
Voltage drop at 100mA max.	2,5 V
On / off delay	5
Type	Diffuse

Wiring



Pinout



www.balluff.com

Balluff Europe: +49 7158 173 -0
 Balluff USA: 1-800-54 3-83 90
 Balluff Asia: +86 21-50 64 41 31

Online Productinformation
 2006-11-30