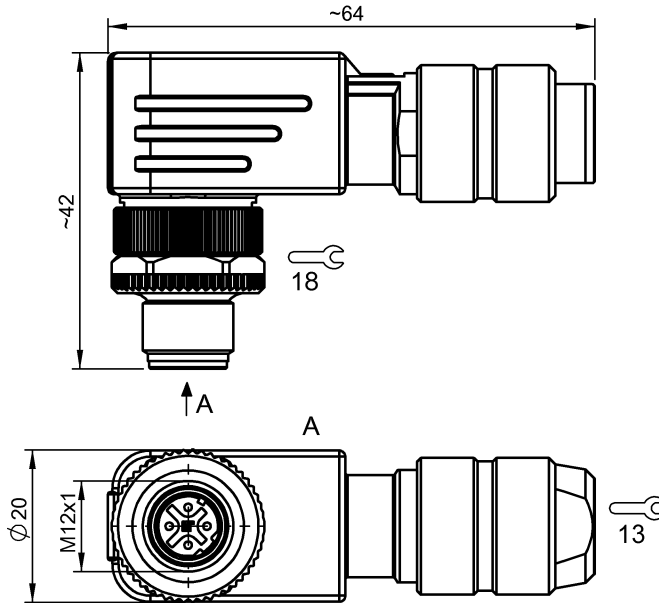


**BCC M484-0000-2D-000-51X475-000**  
**Ordering code: BCC03Y0**

M12x1, d-coded

**BALLUFF**  
*sensors worldwide*

Field-wired connector



**Characteristic data**

Power-on indicator No  
 Function indicator No  
 Degree of protection as per IEC 60529 IP67

**Electrical data**

Operating voltage UB max. AC 250 V  
 Operating voltage UB max. DC 250 V  
 Rated current (40 °C) 4.0 A

**Mechanical data**

Wire cross-section max. 0.75 mm<sup>2</sup>  
 Connector type M12x1, d-coded  
 Ambient temperature Ta min. -25 °C  
 Ambient temperature Ta max. 85 °C  
 Ambient temp. min. (moving) -20 °C  
 Ambient temp. max. (moving) 60 °C  
 Sealing ring material Viton

Wire cross-section min. 0.14 mm<sup>2</sup>  
 Cable diameter min. 5  
 Cable diameter max. 8  
 Contact material CuZn  
 Contact carrier material PA  
 Cover nut material GD-Zn  
 Grip material Zinc diecasting (GD-Zn)  
 Tightening torque pigtail 0.6 Nm  
 Design straight  
 System user assembly  
 Number of sockets or pins 4  
 Type of wire mounting Screw terminals

**Basic data**

**Remarks**

Enclosure type accord. to IEC 60529, when threaded together with the appropriate counterpart.

Definitions see main catalog

subject to change

